

MOTORE K800 H (EURO 5) Engine K800 H (EURO 5)

Документы

Air filter

Flywheel and coil

Carburetor

Control lever

Tank

Muffler

Crankcase cover

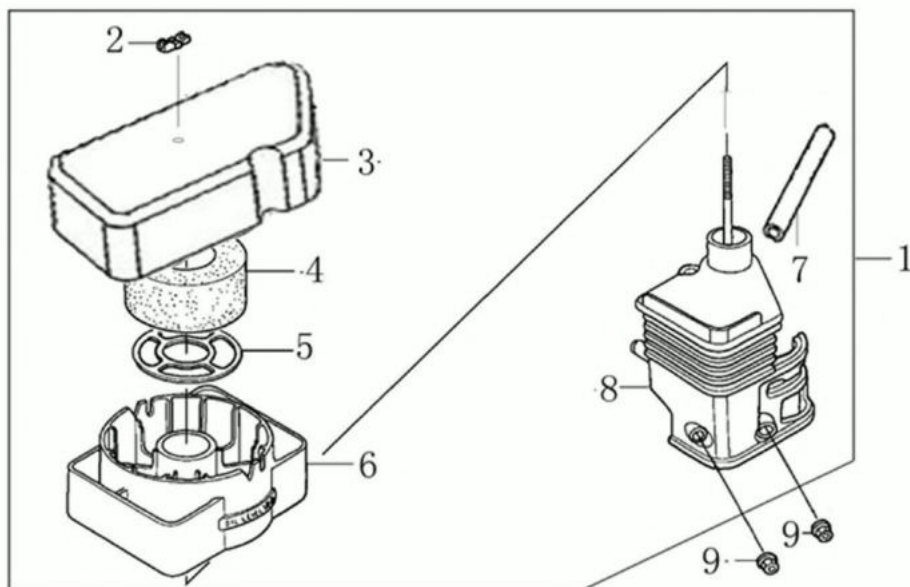
Crankcase

Top cover

Ignition system

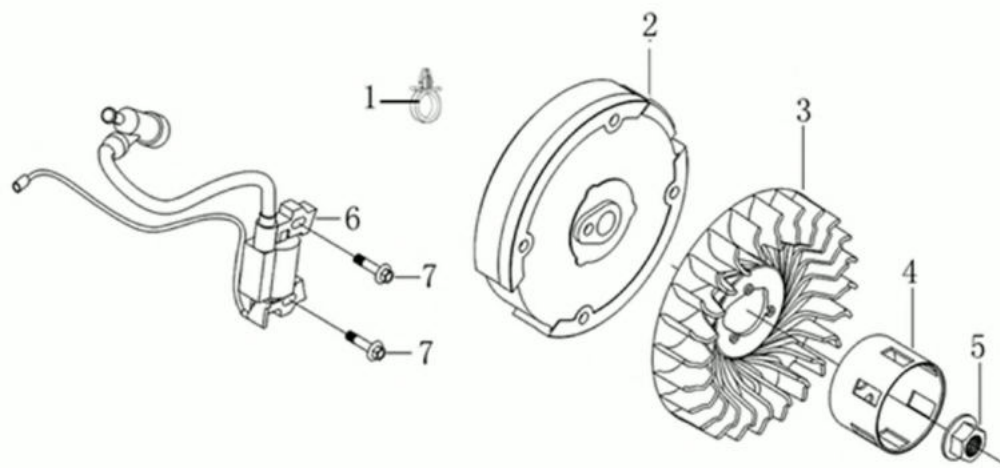
Valve

Shaft + piston



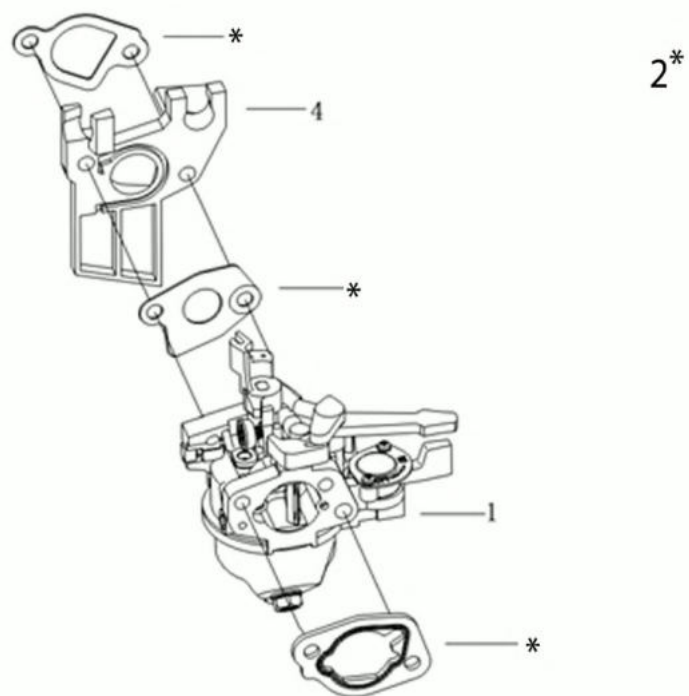
изображение Air filter

| Ref.Nu | Qty | Part number | Description | Validity from | Validity till | Notes | Bulletin |
|--------|-----|-------------|----------------|---------------|---------------|-------|----------|
| 1 | 1 | L66150307 | Air filter kit | | | | |
| 2 | 1 | L66150384 | Nut | | | | |
| 3 | 1 | L66150385 | Cover | | | | |
| 4 | 1 | L66150387 | Filter | | | | |
| 5 | 1 | L66151177 | Grid | | | | |
| 6 | 1 | L66150389 | Filter support | | | | |
| 7 | 1 | L66150473 | Tube | | | | |
| 8 | 1 | L66150390 | Fitting | | | | |
| 9 | 2 | L66150185 | Nut | | | | |



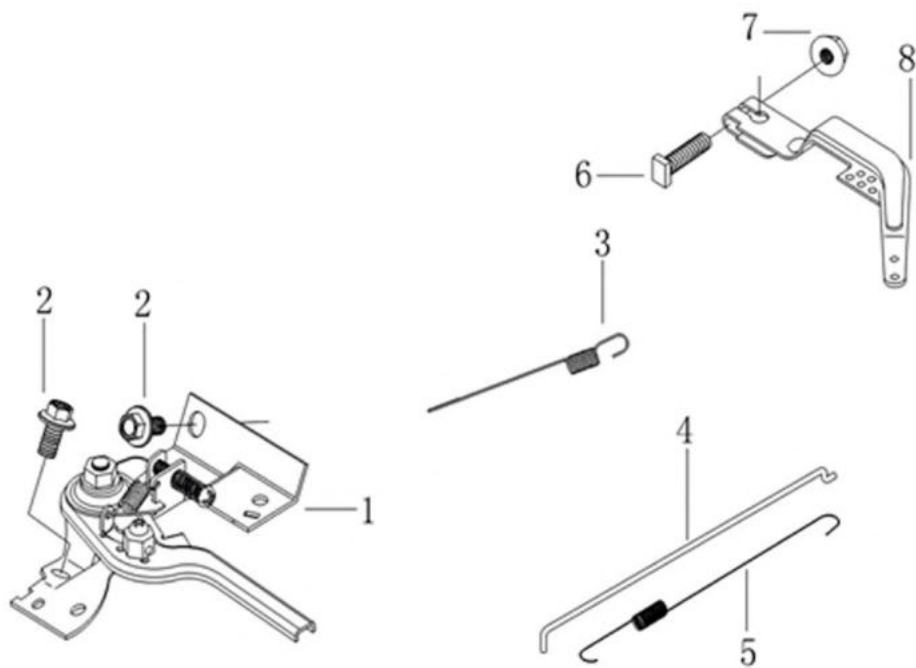
изображение Flywheel and coil

| Ref.Nu | Qty | Part number | Description | Validity from | Validity till | Notes | Bulletin |
|--------|-----|-------------|---------------|---------------|---------------|-------|----------|
| 1 | 1 | L66150440 | Clip | | | | |
| 2 | 1 | L66150313 | Flywheel | | | | |
| 3 | 1 | L66150288 | Fan | | | | |
| 4 | 1 | L66150312 | Pulley | | | | |
| 5 | 1 | L66150376 | Nut | | | | |
| 6 | 1 | L66151623 | Ignition coil | | | | |
| 7 | 2 | L66150321 | Screw | | | | |



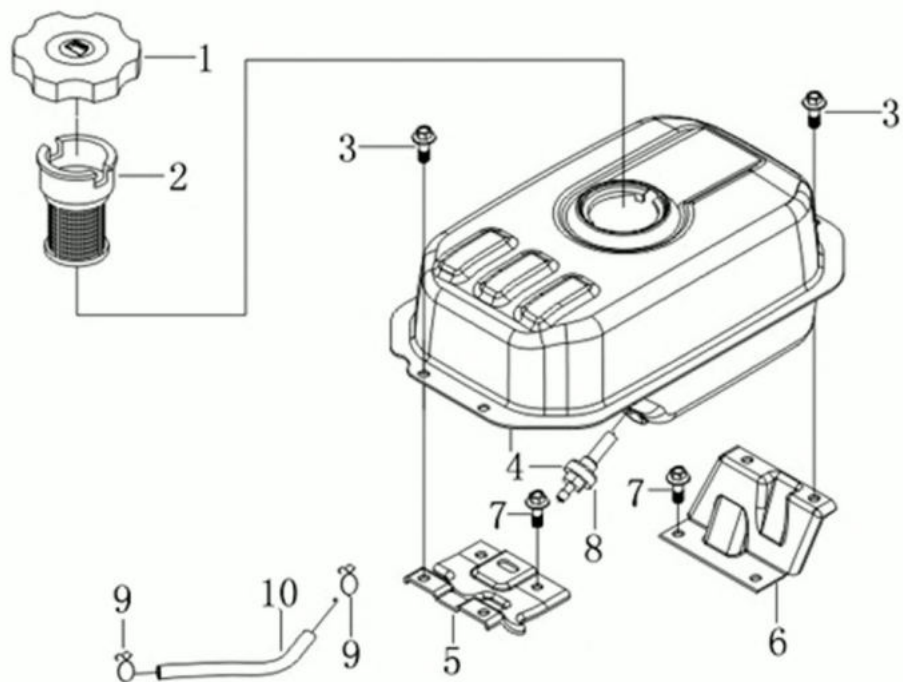
изображение Carburetor

| Ref.Nu | Qty | Part number | Description | Validity from | Validity till | Notes | Bulletin |
|--------|-----|-------------|-------------|---------------|---------------|-------|----------|
| 1 | 1 | L66151956 | Carburetor | | | | |
| 2 | 1 | L66151888 | Gasket set | | | | |
| 4 | 1 | L66150842 | Insulator | | | | |



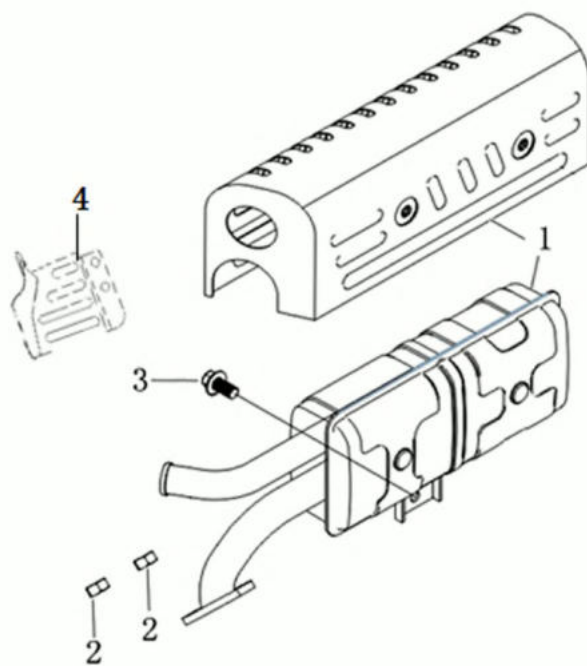
изображение Control lever

| Ref.Nu | Qty | Part number | Description | Validity from | Validity till | Notes | Bulletin |
|--------|-----|-------------|----------------|---------------|---------------|-------|----------|
| 1 | 1 | L66150377 | Complete lever | | | | |
| 2 | 2 | L66151169 | Screw | | | | |
| 3 | 1 | L66151253 | Spring | | | | |
| 4 | 1 | L66150298 | Throttle rod | | | | |
| 5 | 1 | L66150300 | Spring | | | | |
| 6 | 1 | L66150382 | Screw | | | | |
| 7 | 1 | 004400959R | Nut | | | | |
| 8 | 1 | L66150843 | Arm | | | | |



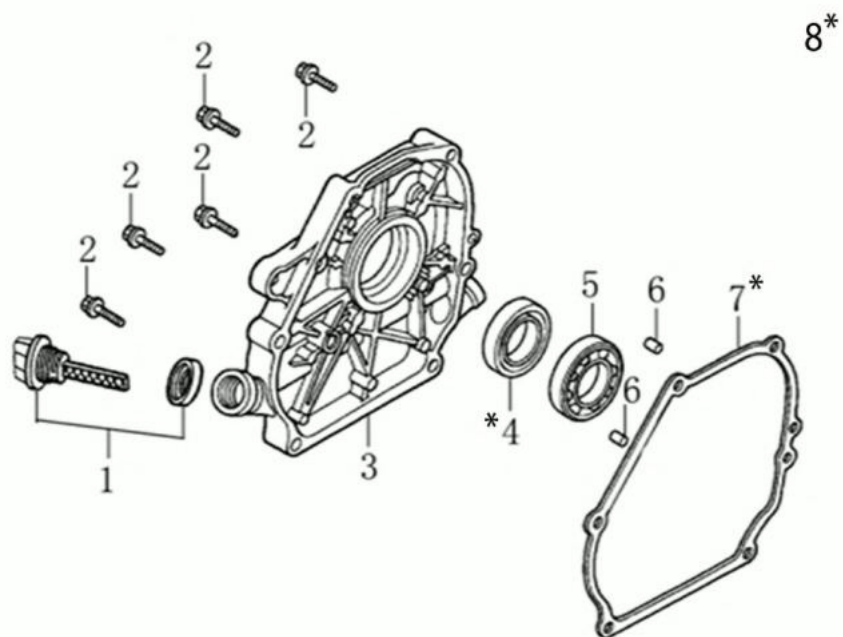
изображение Tank

| Ref.Nu | Qty | Part number | Description | Validity from | Validity till | Notes | Bulletin |
|--------|-----|-------------|---------------|---------------|---------------|-------|----------|
| 1 | 1 | L66151624 | Tank cap | | | | |
| 2 | 1 | L66150296 | Fuel filter | | | | |
| 3 | 4 | L66150316 | Screw | | | | |
| 4 | 1 | L66151235 | Complete tank | | | | |
| 5 | 1 | L66150305 | Support | | | | |
| 6 | 1 | L66150306 | Support | | | | |
| 7 | 4 | L66150321 | Screw | | | | |
| 8 | 1 | L66150295 | Fitting | | | | |
| 9 | 2 | L66150328 | Band | | | | |
| 10 | 1 | L66151625 | Oil line | | | | |



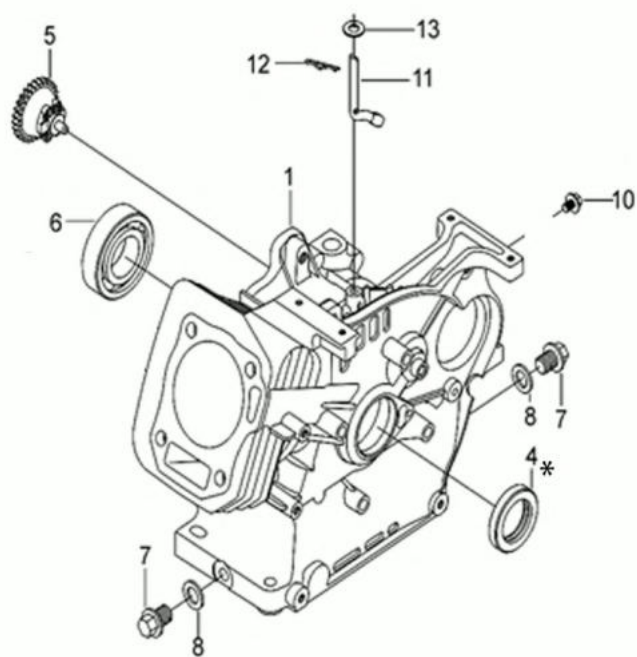
изображение Muffler

| Ref.Nu | Qty | Part number | Description | Validity from | Validity till | Notes | Bulletin |
|--------|-----|-------------|-------------|---------------|---------------|-------|----------|
| 1 | 1 | L66152056 | Muffler | | | | |
| 2 | 2 | 320000028R | Nut | | | | |
| 3 | 1 | L66152057 | Screw | | | | |
| 4 | 1 | L66150310 | Guard | | | | |



изображение Crankcase cover

| Ref.Nu | Qty | Part number | Description | Validity from | Validity till | Notes | Bulletin |
|--------|-----|-------------|-----------------|---------------|---------------|-------|----------|
| 1 | 1 | L66151232 | Cap | | | | |
| 2 | 6 | L66150319 | Screw | | | | |
| 3 | 1 | L66150273 | Crankcase cover | | | | |
| 4 | 1 | L66150462 | Oil seal | | | | |
| 5 | 1 | L66150355 | Bearing | | | | |
| 6 | 2 | L66150357 | Plug | | | | |
| 7 | 1 | L66150274 | Gasket | | | | |
| 8 | 1 | L66151888 | Gasket set | | | | |



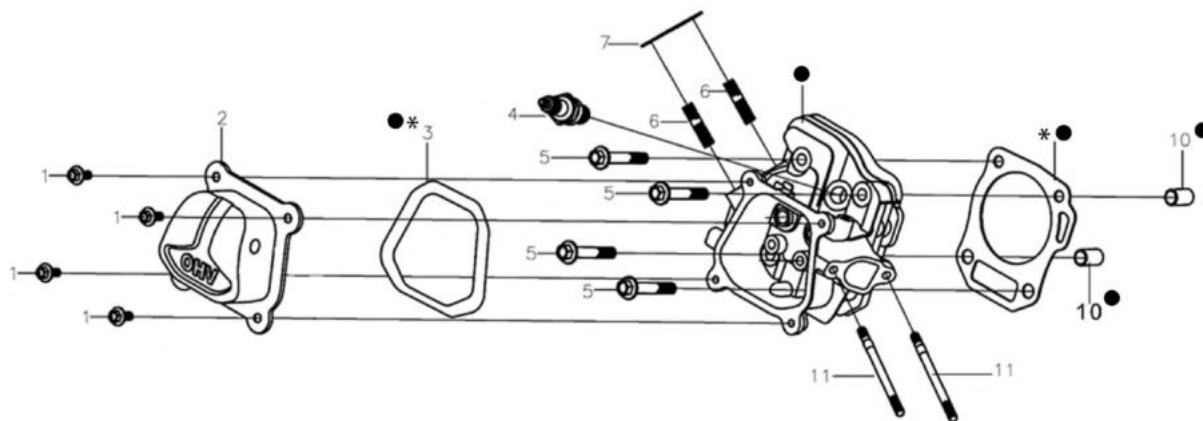
2*

изображение Crankcase

| Ref.Nu | Qty | Part number | Description | Validity from | Validity till | Notes | Bulletin |
|--------|-----|-------------|------------------------|---------------|---------------|-------|----------|
| 1 | 1 | L66150272 | Cylinder and crankcase | | | | |
| 2 | 1 | L66151888 | Gasket set | | | | |
| 4 | 1 | L66150462 | Oil seal | | | | |
| 5 | 1 | L66150304 | Governor | | | | |
| 6 | 1 | L66150355 | Bearing | | | | |
| 7 | 2 | L66150352 | Screw | | | | |
| 8 | 2 | L66150354 | Washer | | | | |
| 11 | 1 | L66150302 | Shaft | | | | |
| 12 | 1 | L66150353 | Plug | | | | |
| 13 | 1 | L66150325 | Washer | | | | |

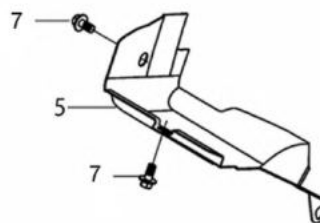
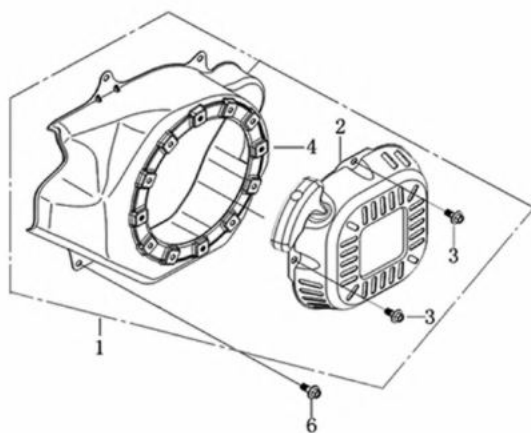
8*

9●



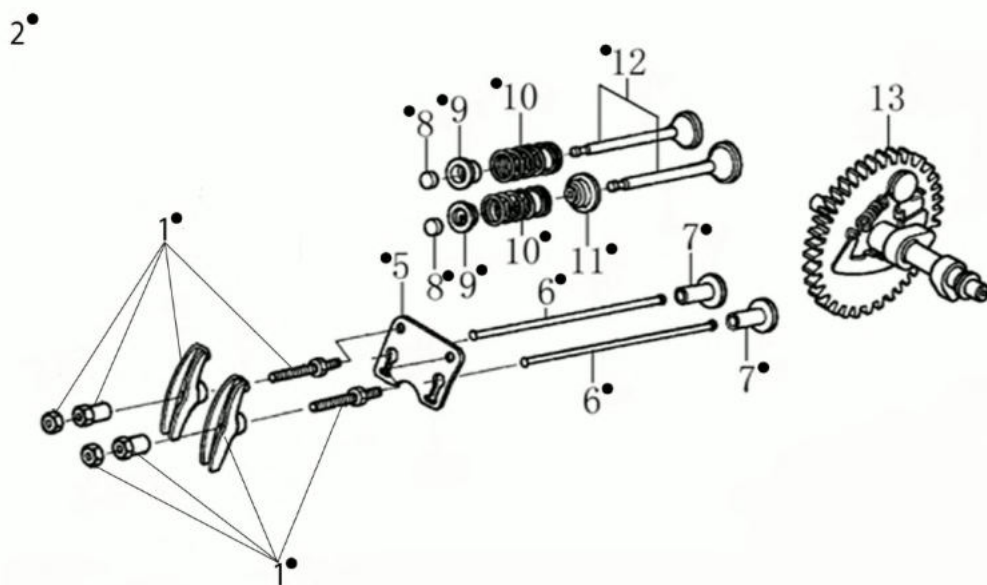
изображение Top cover

| Ref.Nu | Qty | Part number | Description | Validity from | Validity till | Notes | Bulletin |
|--------|-----|-------------|--------------------|---------------|---------------|-------|----------|
| 1 | 4 | L66150322 | Screw | | | | |
| 2 | 1 | L66150707 | Cover | | | | |
| 3 | 1 | L66150476 | Gasket | | | | |
| 4 | 1 | 3055123R | Spark plug | | | | |
| 5 | 4 | L66150323 | Screw | | | | |
| 6 | 2 | L66150324 | Stud | | | | |
| 7 | 1 | L66150309 | Gasket | | | | |
| 8 | 1 | L66151888 | Gasket set | | | | |
| 9 | 1 | L66151626 | Head comp.cylinder | | | | |
| 10 | 2 | L66150350 | Plug | | | | |
| 11 | 2 | L66150241 | Stud | | | | |



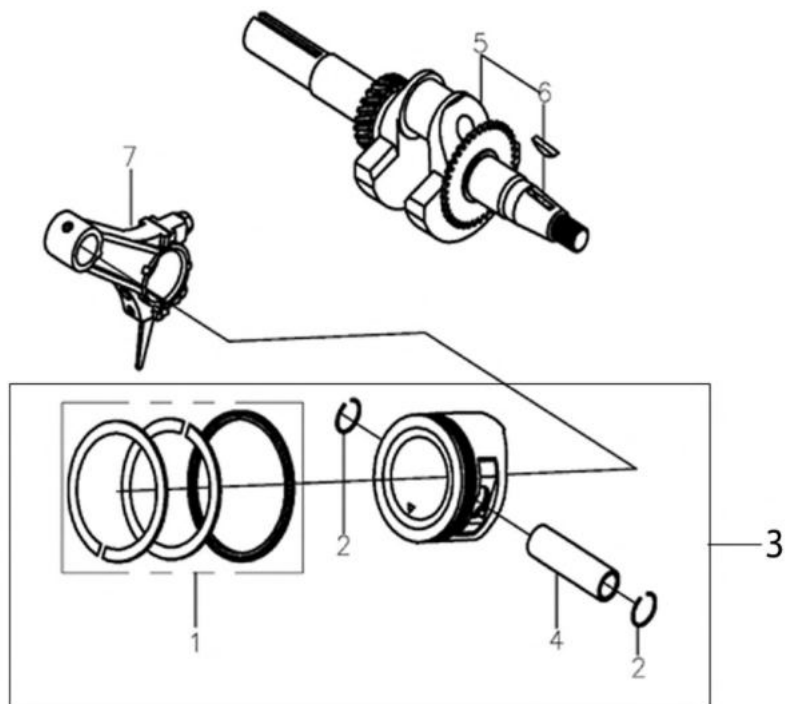
изображение Ignition system

| Ref.Nu | Qty | Part number | Description | Validity from | Validity till | Notes | Bulletin |
|--------|-----|-------------|--------------|---------------|---------------|-------|----------|
| 1 | 1 | L66150374 | Starter assy | | | | |
| 2 | 1 | L66150329 | Starter assy | | | | |
| 3 | 2 | L66151621 | Hex nut | | | | |
| 4 | 1 | L66150391 | Fan cover | | | | |
| 5 | 1 | L66150725 | Deflector | | | | |
| 6 | 4 | L66150316 | Screw | | | | |
| 7 | 2 | L66150339 | Screw | | | | |



изображение Valve

| Ref.Nu | Qty | Part number | Description | Validity from | Validity till | Notes | Bulletin |
|--------|-----|-------------|--------------------|---------------|---------------|-------|----------|
| 1 | 2 | L66150368 | Compensator | | | | |
| 2 | 1 | L66151626 | Head comp.cylinder | | | | |
| 5 | 1 | L66150287 | Plate (guide) | | | | |
| 6 | 2 | L66150285 | Rod | | | | |
| 7 | 2 | L66150286 | Slide | | | | |
| 8 | 2 | L66150364 | Valve | | | | |
| 9 | 2 | L66152055 | Ring | | | | |
| 10 | 2 | L66150522 | Valves spring | | | | |
| 11 | 1 | L66150367 | Seal | | | | |
| 12 | 1 | L66150523 | Valve | | | | |
| 13 | 1 | L66150840 | Complete shaft | | | | |



изображение Shaft + piston

| Ref.Nu | Qty | Part number | Description | Validity from | Validity till | Notes | Bulletin |
|--------|-----|-------------|---------------------|---------------|---------------|-------|----------|
| 1 | 1 | L66151620 | Piston ring set | | | | |
| 2 | 2 | L66150372 | Retainer washer | | | | |
| 3 | 1 | L66151627 | Piston assy | | | | |
| 4 | 1 | L66150342 | Piston pin | | | | |
| 5 | 1 | L66152054 | Shaft | | | | |
| 6 | 1 | L66150081 | Key | | | | |
| 7 | 1 | L66150281 | Connecting rod cpl. | | | | |