

## MH 180 RKS (K800 H - SN T210) Rotary tiller



### Документы

Handle-bar adjustable and control box

---

Frame

---

Unit (Bonnet)

---

Tiller

---

Cylinder head

---

Ignition system

---

Crankcase

---

Crankcase cover

---

Crankshaft and piston

---

Valve and governor

---

Flywheel and coil

---

Control lever

---

Muffler

---

Air filter

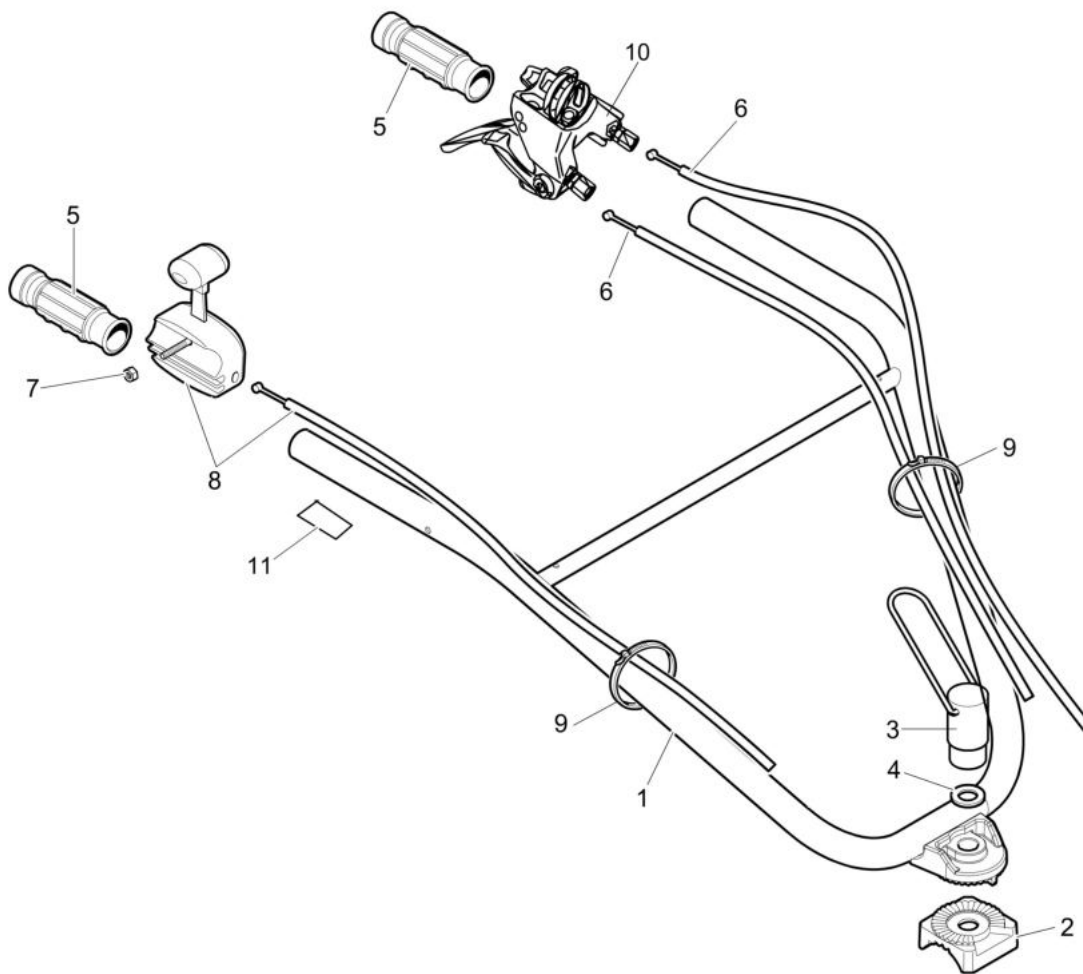
---

Tank

---

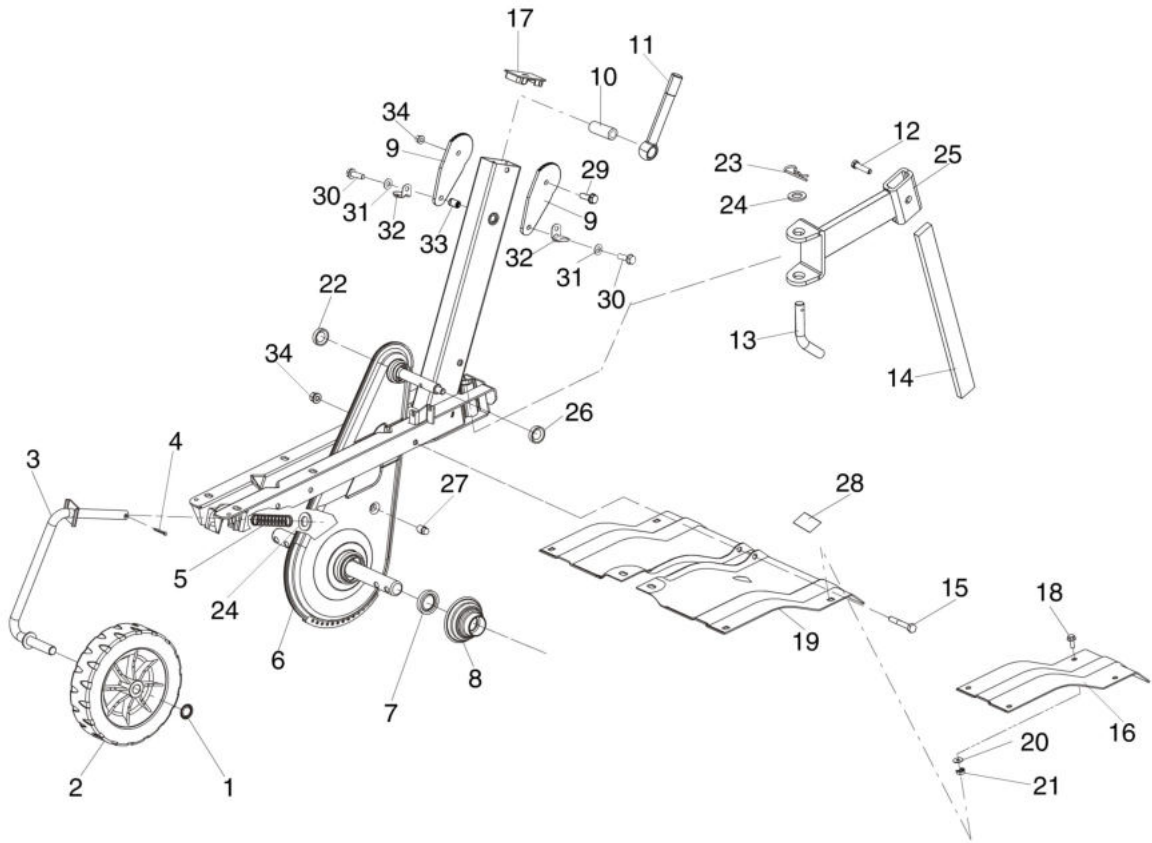
Carburetor and deflector

---



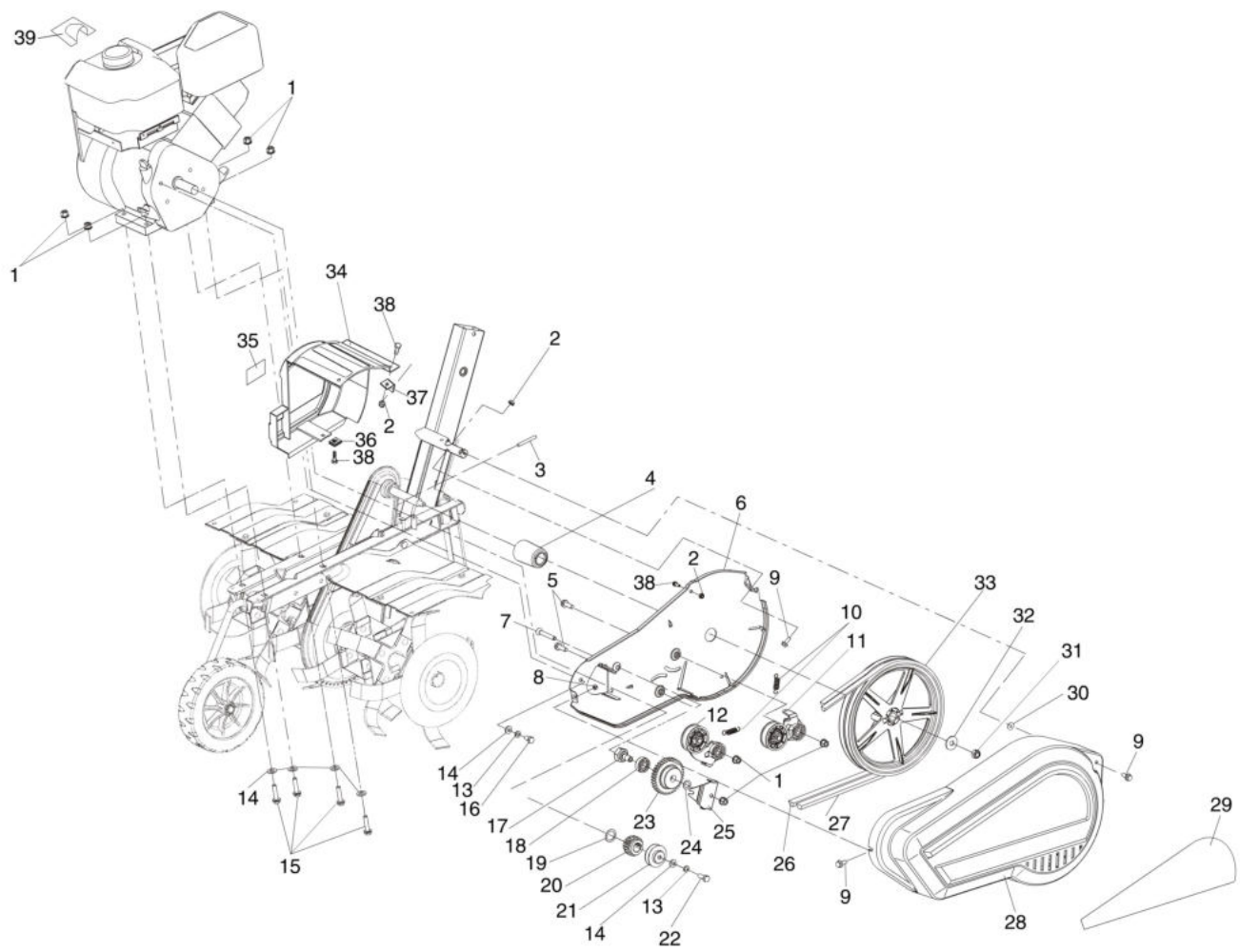
## изображение Handle-bar adjustable and control box

Ref.Nu	Qty	Part number	Description	Validity from	Validity till	Notes	Bulletin
1	1	68690012	Handlebar				
2	1	YF1231651	Serrated plate				
3	1	YF1231634	Lever				
4	1	YF1231635	Washer				
5	2	YN2847410	Handle start				
6	2	68690070R	Transmission				
7	1	3914006R	Nut				
8	1	68690069R	Throttle			Per motori EMAK, HONDA;	
8	1	YF1231708	Throttle			Per motore B&S; For B&S engine	
9	2	YN1764000	Band				
10	1	68690068R	Lever (double)				
11	1	YN5380870	Plate (Instruction)				



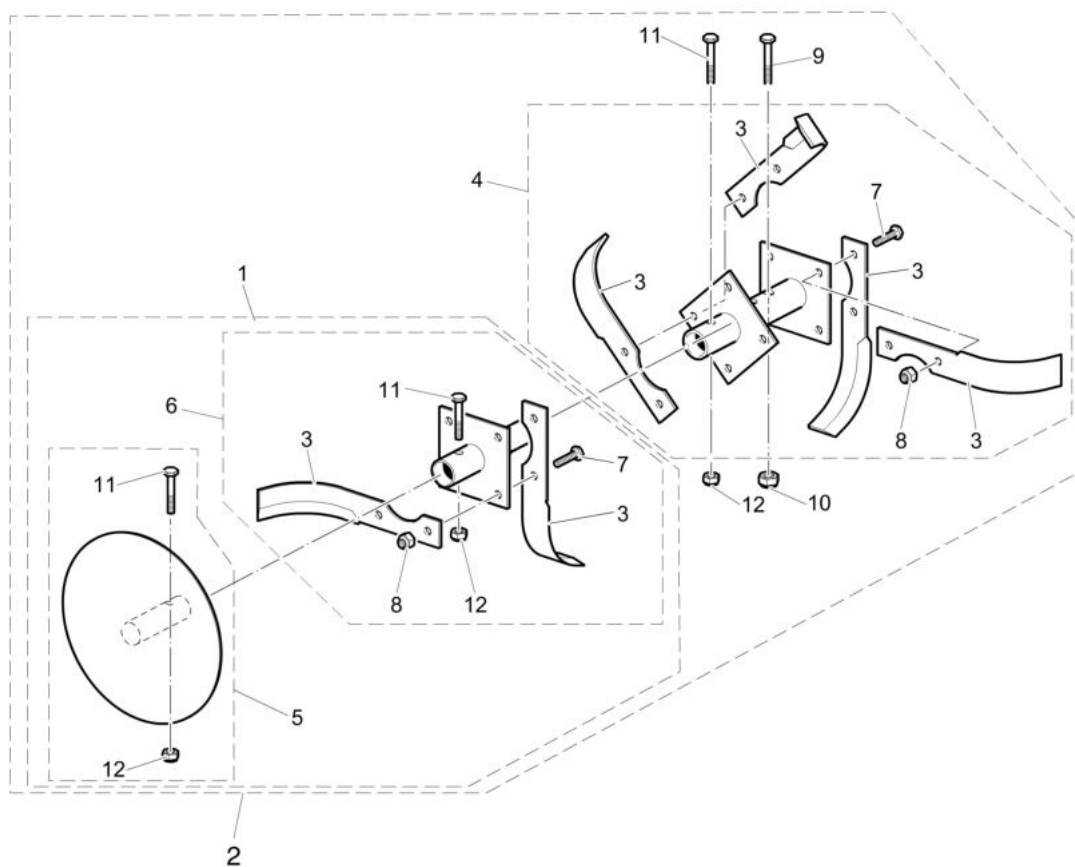
## изображение Frame

Ref.Nu	Qty	Part number	Description	Validity from	Validity till	Notes	Bulletin
1	1	3024050R	Ring				
2	1	68670028R	Wheel				
3	1	68690111R	Support (wheel)				
4	1	3031025R	Split pin				
5	1	68670030R	Spring				
6	1	68692013	Frame				
7	2	3050046R	Seal ring				
8	2	68690136R	Guard				
9	2	68690129R	Column support				
10	1	68690128R	Spacer				
11	1	F1231633	Tie rod				
12	1	YN6320600	Screw				
13	1	68690122R	Pin				
14	1	68690072R	Drag bar				
15	1	301000155R	Screw				
16	2	68690118R	Guard				
17	1	68690133R	Cap				
18	4	3906036R	Screw				
19	1	68690116R	Guard				
20	4	68670054R	Washer				
21	4	3980001R	Nut				
22	1	YN5269990	Cap				
23	1	N1054500	Split pin				
24	1	3916016	Washer				
25	1	68690075R	Support				
26	1	YN0205400	Ring				
27	1	YN5254000	Oil cap				
28	1	YF1233111	Plate (danger)				
29	1	3906080	Screw				
30	2	3933034AR	Screw				
31	2	3918013R	Washer				
32	2	68670036R	Plate				
33	1	3933001R	Insert				
34	2	3914012R	Nut				



## изображение Unit (Bonnets)

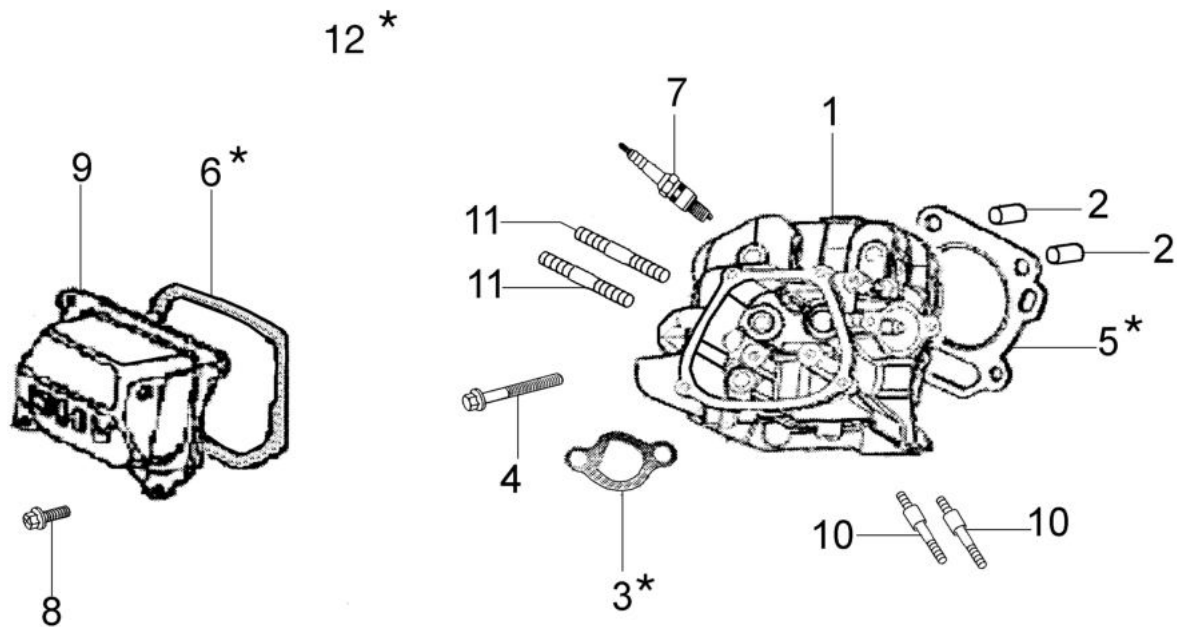
Ref.Nu	Qty	Part number	Description	Validity from	Validity till	Notes	Bulletin
1	7	3914012R	Nut				
2	4	3914016R	Nut				
3	1	3022037R	Plug				
4	1	68690109R	Tube				
5	1	3906065R	Screw				
6	1	68690113R	Plate				
7	1	3902002R	Screw				
8	1	3914006R	Nut				
9	3	3960089R	Screw				
10	2	68690106R	Spring				
11	1	68690105R	Guide pulley				
12	1	68690104R	Guide pulley				
13	2	YN4366600	Washer				
14	6	3916008R	Washer				
15	4	3806076R	Screw				
16	1	3806063R	Screw			Per motore EMAK; For	
16	1	YN6243940	Screw			Per motori HONDA, B&S; For HONDA, B&S engines	
17	1	68690107R	Pin				
18	1	YN1252350	Bearing				
19	1	YF1231648	Spacer				
20	1	ES360020180R	Gear				
21	1	68690108R	Pulley (engine)				
22	1	YN6243980	Screw				
23	1	ES360020180R	Gear				
24	1	YN5001750	Thickness				
25	1	68690135R	Plate				
26	1	68670114R	Belt (reverse gear)				
27	1	YF1231609	Belt				
28	1	68670021ER	Hood				
29	1	68690088R	Label			MH 180 RKS	
29	1	68690084R	Label			MH 180 RS	
29	1	68690092R	Label			MH 190 RXS	
30	1	68670054R	Washer				
31	1	3914014R	Nut				
32	1	3918026R	Washer				
33	1	68690103R	Pulley				
34	1	68670022R	Hood				
35	1	68690089R	Label			MH 180 RKS	
35	1	68690085R	Label			MH 180 RS	
35	1	68690093R	Label			MH 190 RXS	
36	1	YN1727050	Nut				
37	1	YF1232108	Support				
38	1	3906036R	Screw				
39	1	F1230002	Grip-end			Per motore HONDA; For HONDA engine	





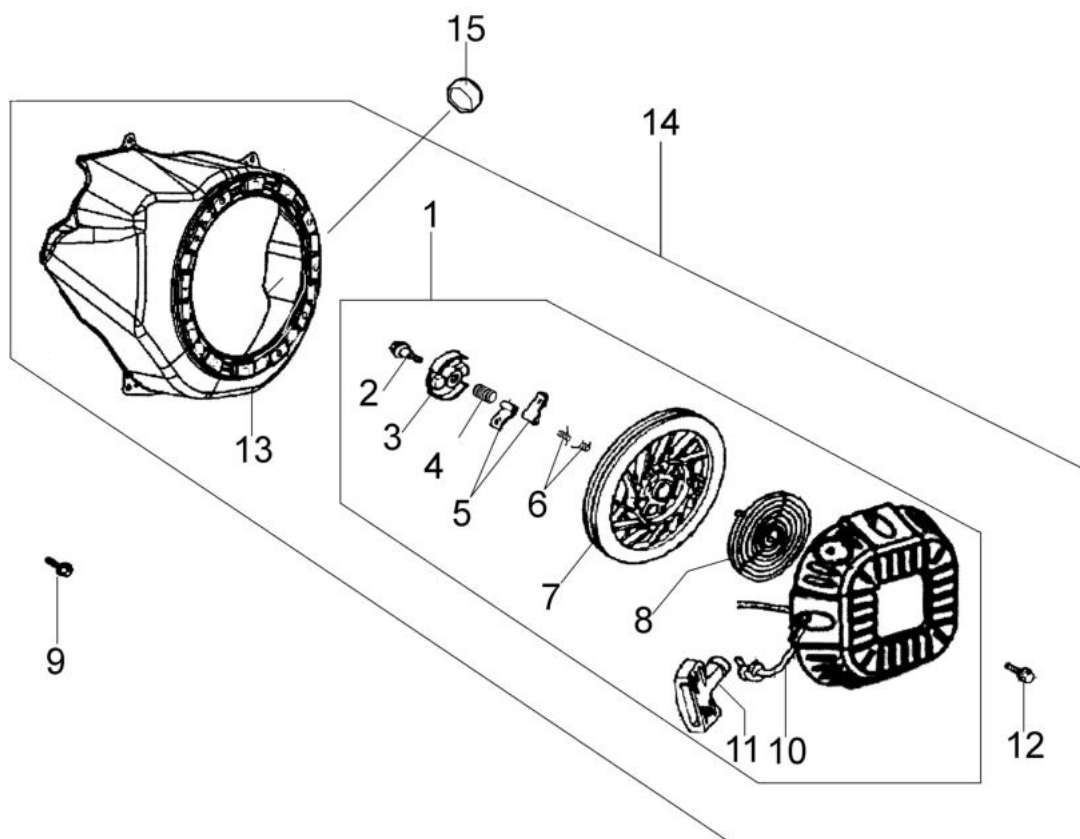
## изображение Tiller

Ref.Nu	Qty	Part number	Description	Validity from	Validity till	Notes	Bulletin
1	1	68620032A	Extension			DX; RIGHT	
1	1	68620033A	Extension			SX; LEFT	
2	1	68622002R	Rotor (complete)				
3	1	R0000143	Cutters kit				
4	1	68690035R	Tiller			DX; RIGHT	
4	1	68690036R	Tiller			SX; LEFT	
5	1	68620046AR	Disk				
6	1	68620033A	Extension			DX; RIGHT	
6	1	68620032A	Extension			SX; LEFT	
7	8	3933034AR	Screw				
8	8	YN1458020	Nut				
9	4	YN6342900	Screw				
10	4	3914014R	Nut				
11	2	3806076R	Screw				
12	2	3914010R	Nut				



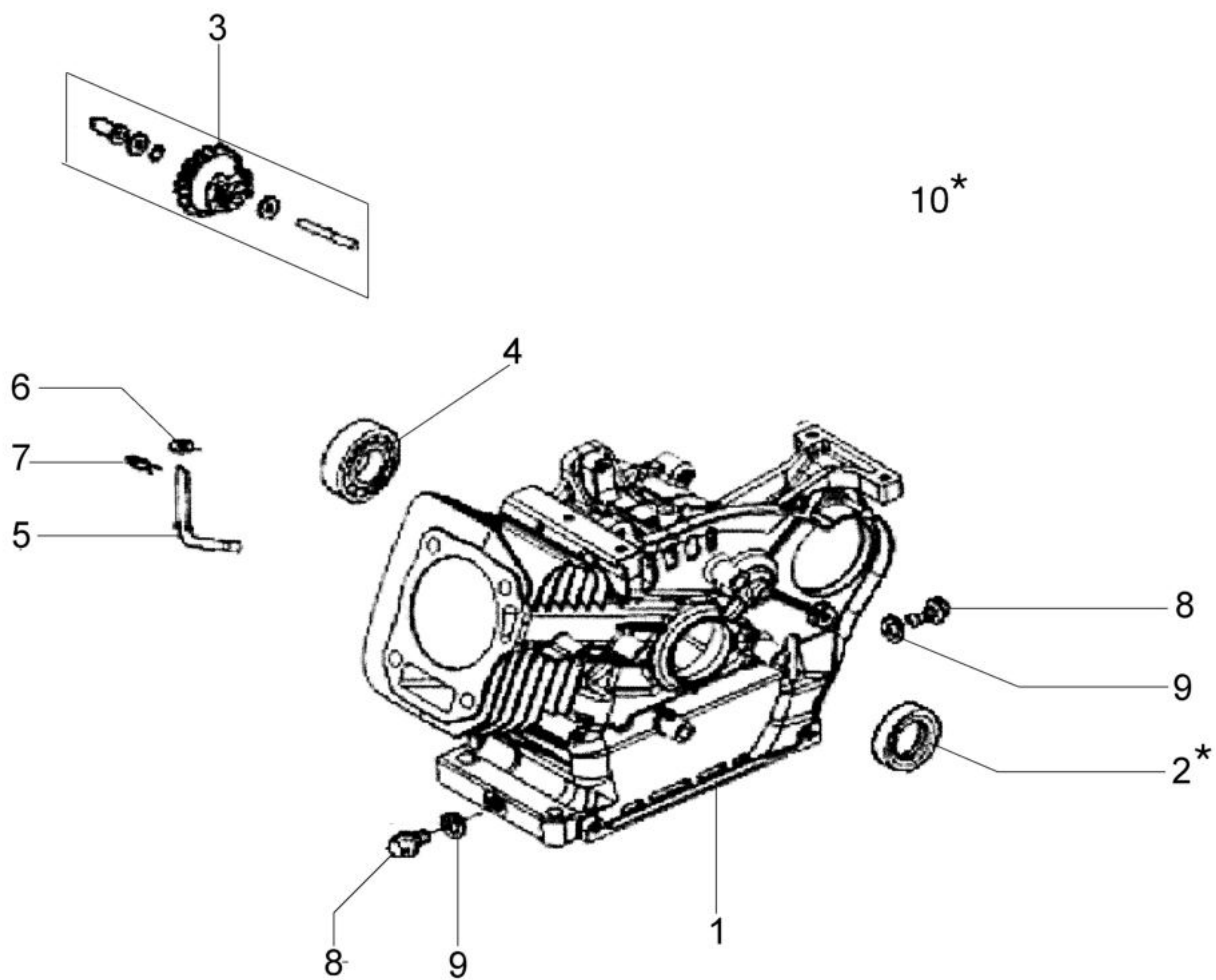
## изображение Cylinder head

Ref.Nu	Qty	Part number	Description	Validity from	Validity till	Notes	Bulletin
1	1	L66150275	Cylinder head				
2	2	L66150350	Plug				
3	1	L66150309	Gasket				
4	4	L66150323	Screw				
5	1	L66150276	Gasket				
6	1	L66150278	Gasket				
7	1	3055123R	Spark plug				
8	4	L66150316	Screw				
9	1	L66150277	Cover				
10	2	L66150241	Stud				
11	2	L66150324	Stud				
12	1	L66150618	Gasket set				



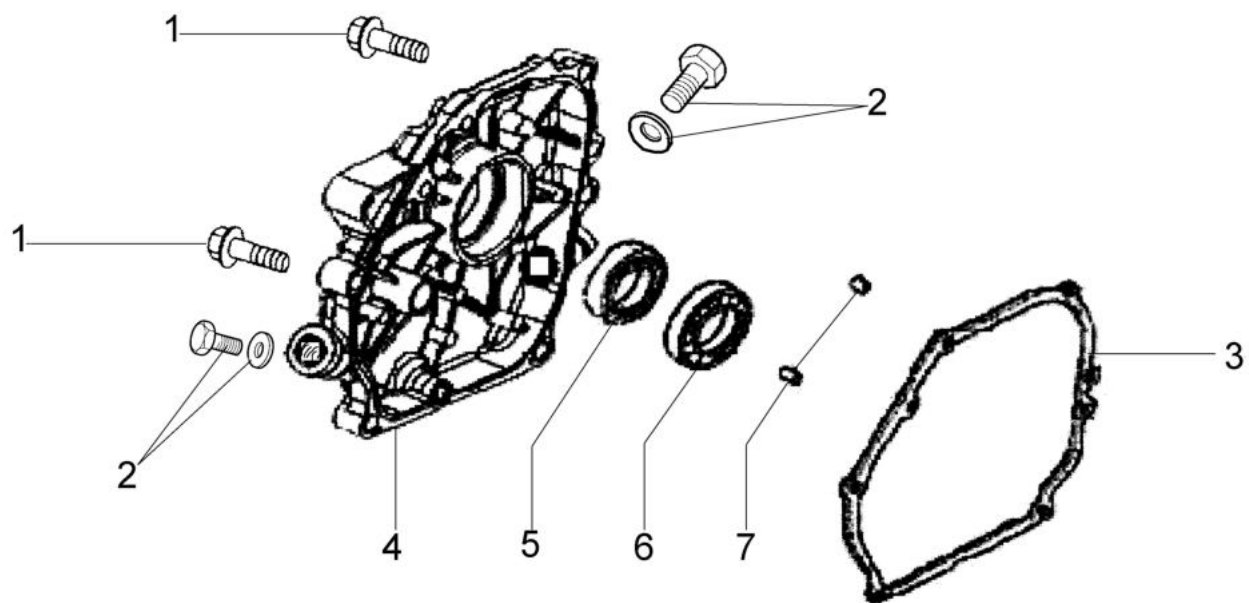
## изображение Ignition system

Ref.Nu	Qty	Part number	Description	Validity from	Validity till	Notes	Bulletin
1	1	L66150329	Starter assy				
2	1	L66150330	Fixing screw				
3	1	L66150331	Clutch driver				
4	1	L66150332	Spring				
5	2	L66150263	Pawl				
6	2	L66150264	Spring				
7	1	L66150265	Pulley				
8	1	L66150336	Starter spring				
9	4	L66150316	Screw				
10	1	L66150337	Starter rope				
11	1	L66150103	Starter handle				
12	4	L66150339	Screw				
13	1	L66150391	Fan cover				
14	1	L66150374	Starter assy				
15	1	L66150474	Cap				



## изображение Crankcase

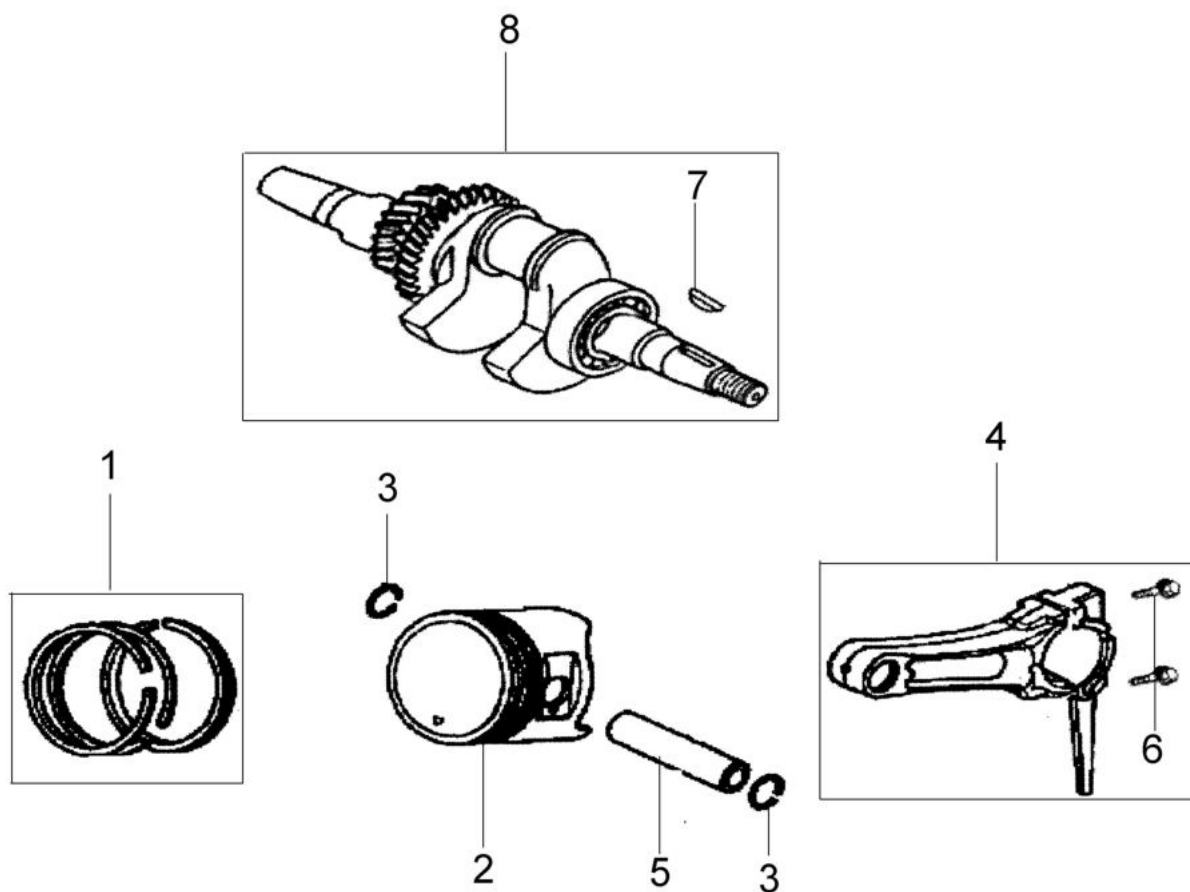
Ref.Nu	Qty	Part number	Description	Validity from	Validity till	Notes	Bulletin
1	1	L66150272	Cylinder and crankcase				
2	1	L66150326	Ring				
3	1	L66150304	Governor				
4	1	L66150355	Bearing				
5	1	L66150302	Shaft				
6	1	L66150325	Washer				
7	1	L66150353	Plug				
8	2	L66150352	Screw				
9	2	L66150354	Washer				
10	1	L66150618	Gasket set				





## изображение Crankcase cover

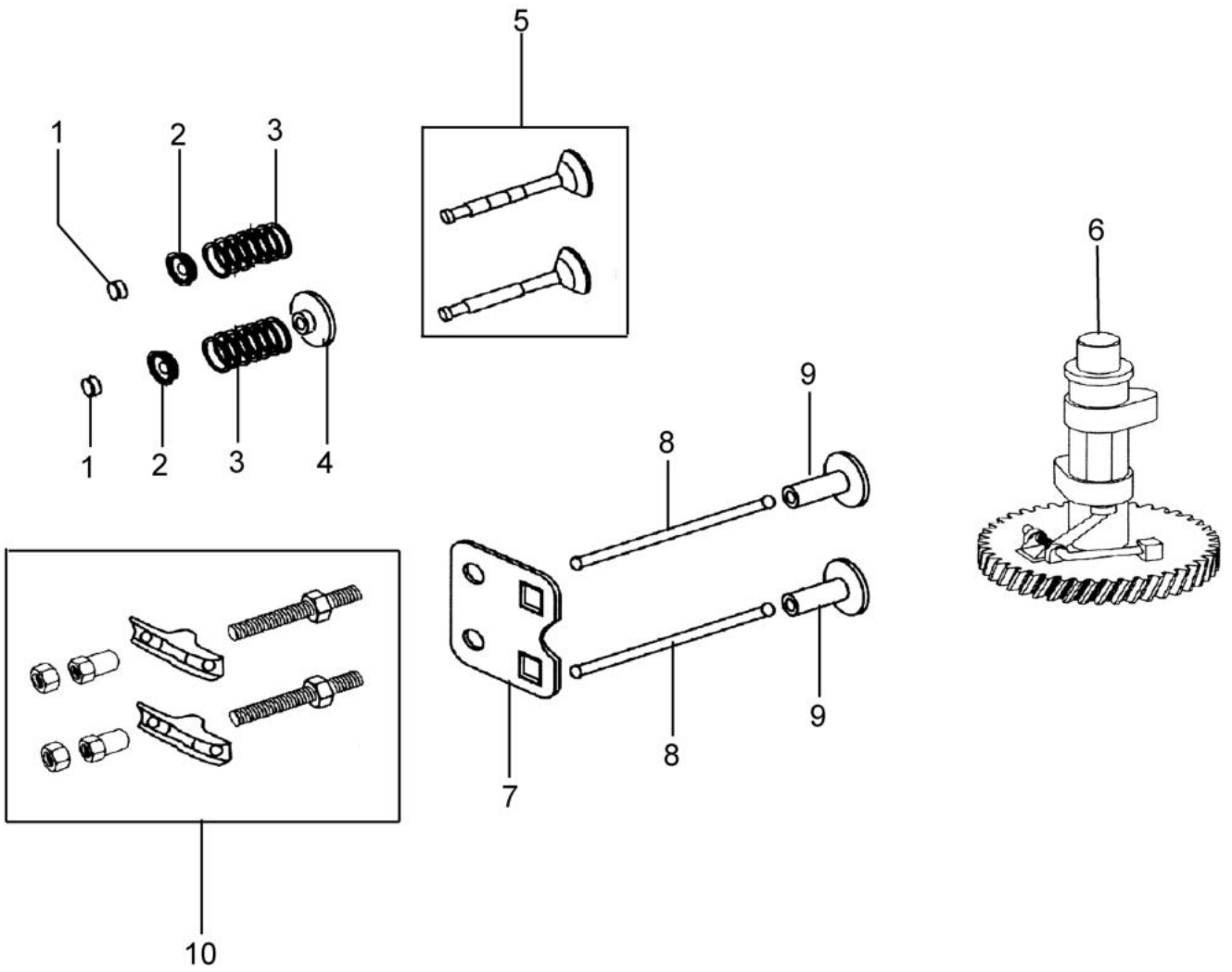
Ref.Nu	Qty	Part number	Description	Validity from	Validity till	Notes	Bulletin
1	7	L66150319	Screw				
2	2	L66151232	Cap				
3	1	L66150274	Gasket				
4	1	L66150273	Crankcase cover				
5	1	L66150326	Ring				
6	1	L66150355	Bearing				
7	2	L66150357	Plug				



## изображение Crankshaft and piston

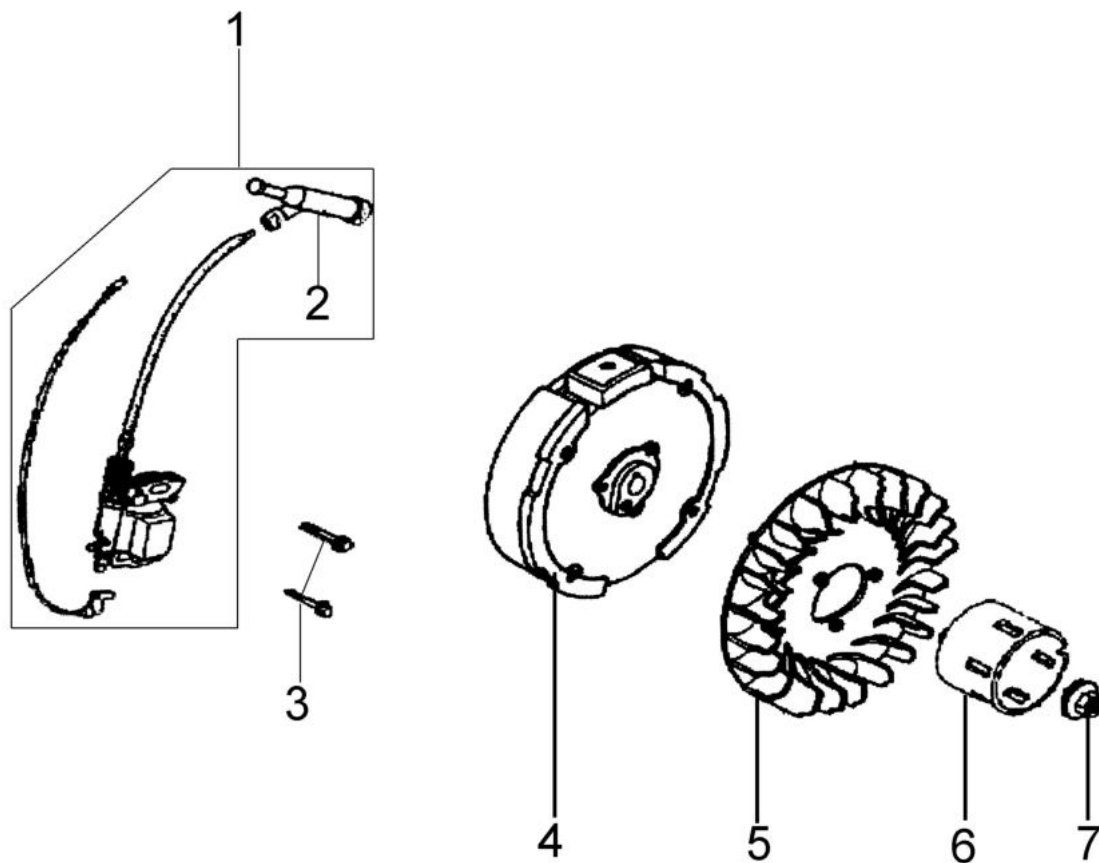
---

Ref.Nu	Qty	Part number	Description	Validity from	Validity till	Notes	Bulletin
1	1	L66150280	Piston ring set				
2	1	L66150279	Piston				
3	2	L66150372	Retainer washer				
4	1	L66150281	Connecting rod cpl.				
5	1	L66150342	Piston pin				
6	2	L66150343	Screw				
7	1	L66150081	Key				
8	1	L66150373	Complete shaft				



## изображение Valve and governor

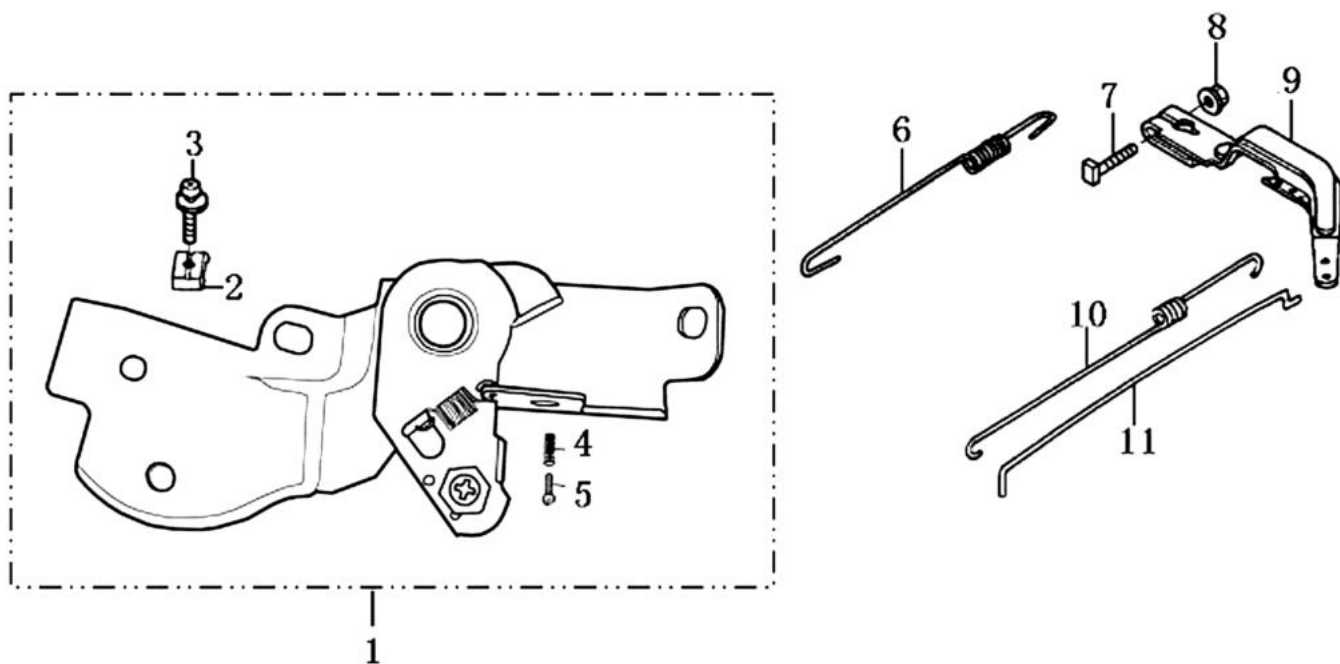
Ref.Nu	Qty	Part number	Description	Validity from	Validity till	Notes	Bulletin
1	2	L66150364	Valve				
2	2	L66150365	Ring				
3	2	L66150366	Valves spring				
4	1	L66150367	Seal				
5	1	L66151233	Reed valve kit				
6	1	L66150363	Complete shaft				
7	1	L66150287	Plate (guide)				
8	2	L66150285	Rod				
9	2	L66150286	Slide				
10	2	L66150368	Compensator				



## изображение Flywheel and coil

---

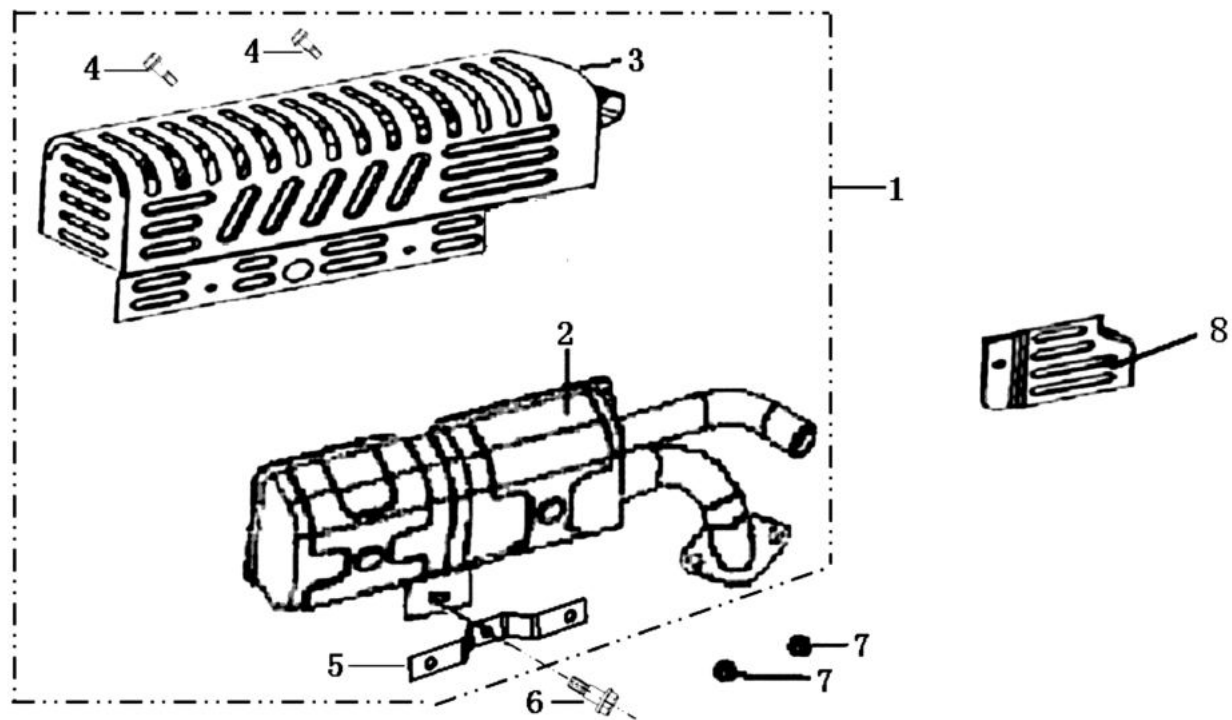
Ref.Nu	Qty	Part number	Description	Validity from	Validity till	Notes	Bulletin
1	1	L66150314	Ignition coil				
2	2	L66150371	Spark plug cap				
3	1	L66150321	Screw				
4	1	L66150313	Flywheel				
5	1	L66150288	Fan				
6	1	L66150312	Pulley				
7	1	L66150376	Nut				





## изображение Control lever

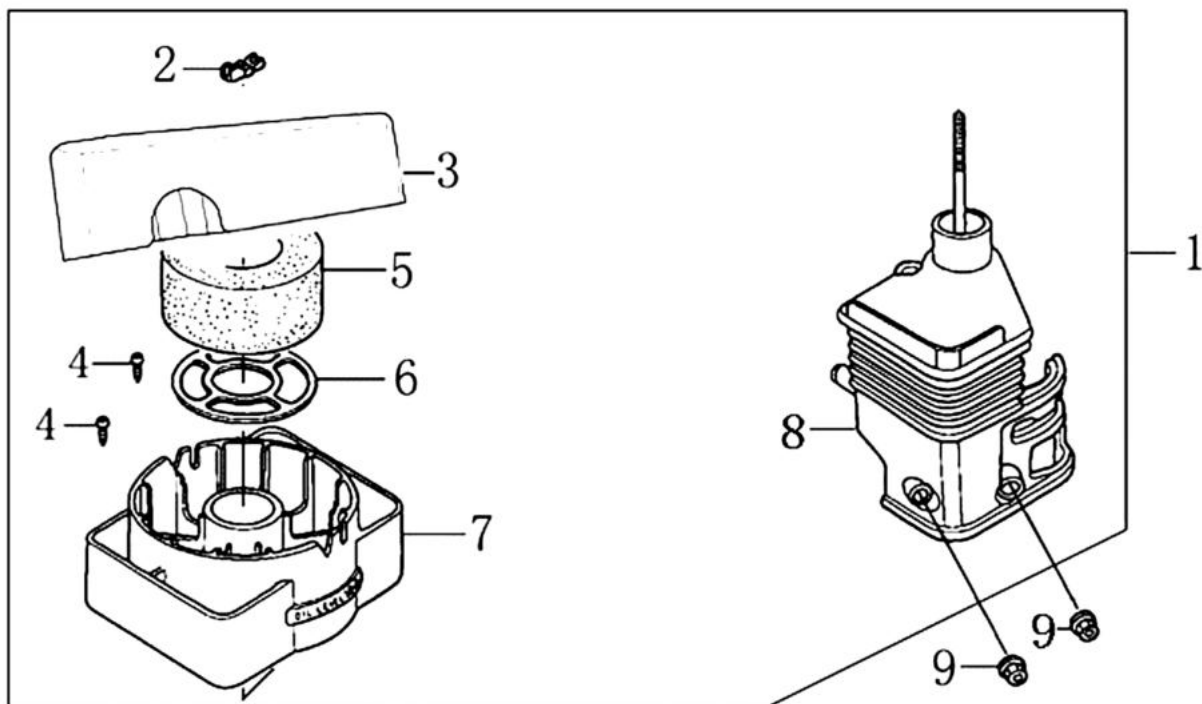
Ref.Nu	Qty	Part number	Description	Validity from	Validity till	Notes	Bulletin
1	1	L66150377	Complete lever				
2	1	L66150378	Fairled				
3	1	L66150379	Screw				
4	1	L66150380	Spring				
5	1	L66150381	Screw				
6	1	L66151253	Spring				
7	1	L66150382	Screw				
8	1	L66150185	Nut				
9	1	L66150301	Arm				
10	1	L66150300	Spring				
11	1	L66150298	Throttle rod				



## изображение Muffler

---

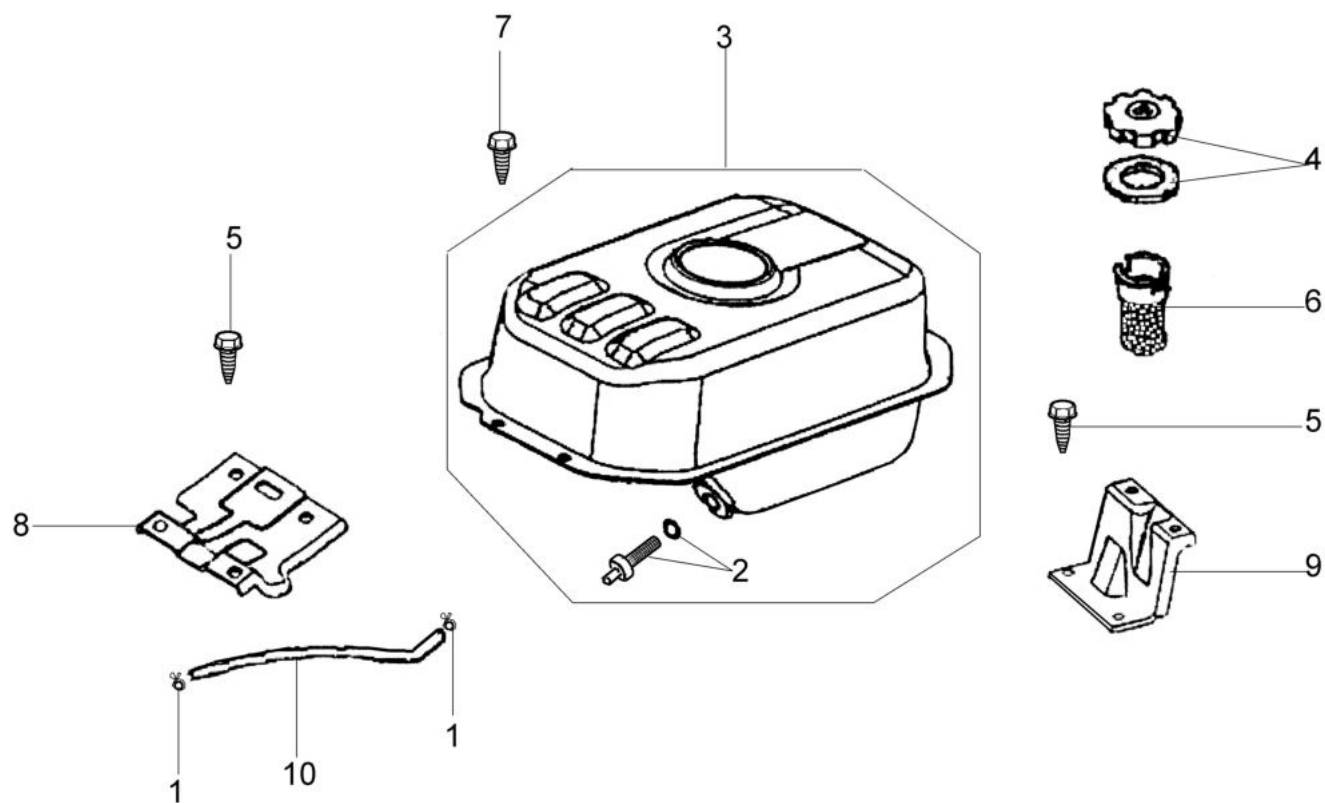
Ref.Nu	Qty	Part number	Description	Validity from	Validity till	Notes	Bulletin
1	1	L66150308	Muffler assy				
2	1	L66150345	Muffler				
3	1	L66150346	Exhaust guard				
4	1	L66150347	Screw				
5	1	L66150349	Support				
6	2	L66150317	Screw				
7	1	320000028R	Nut				
8	1	L66150310	Guard				



## изображение Air filter

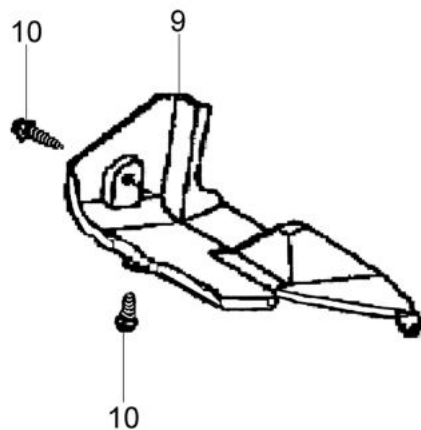
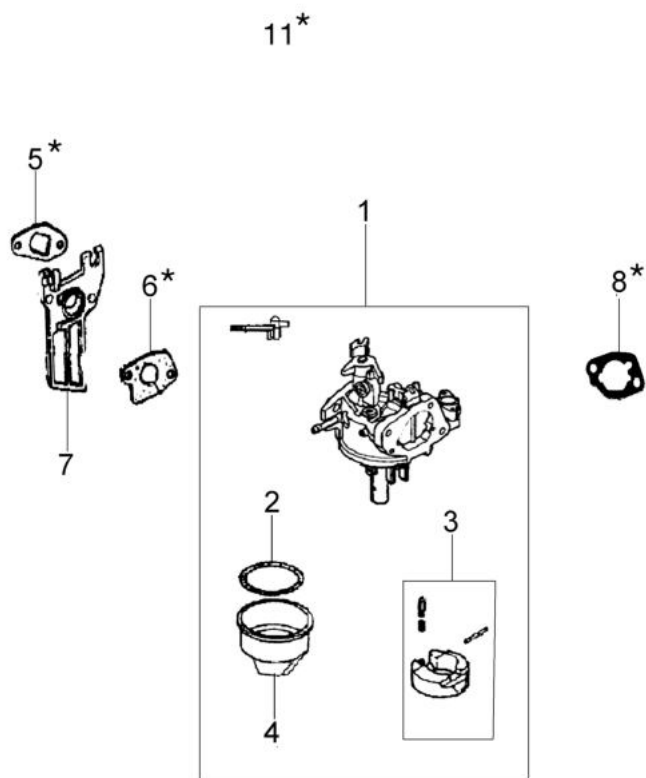
---

Ref.Nu	Qty	Part number	Description	Validity from	Validity till	Notes	Bulletin
1		L66150307	Air filter kit				
2	1	L66150384	Nut				
3	1	L66150385	Cover				
4	2	L66150386	Screw				
5	1	L66150387	Filter				
6	1	L66150388	Grid				
7	1	L66150389	Filter support				
8	1	L66150390	Fitting				
9	2	L66150185	Nut				



## изображение Tank

Ref.Nu	Qty	Part number	Description	Validity from	Validity till	Notes	Bulletin
1	1	L66150328	Band				
2	1	L66150295	Fitting				
3	1	L66151235	Complete tank				
4	1	L66150297	Cap				
5	4	L66150321	Screw				
6	1	L66150296	Fuel filter				
7	4	L66150322	Screw				
8	1	L66150306	Support				
9	1	L66150305	Support				
10	1	L66150327	Fuel line				





## изображение Carburetor and deflector

---

Ref.Nu	Qty	Part number	Description	Validity from	Validity till	Notes	Bulletin
1	1	L66150289A	Carburetor				
2	1	L66150370	Gasket				
3	1	L66150369	Float				
4	1	L66150375	Tank				
5	1	L66150291	Gasket				
6	1	L66150290	Gasket				
7	1	L66150293	Insulator				
8	1	L66150292	Gasket				
9	1	L66150340	Cover				
10	2	L66150339	Screw				
11	1	L66150618	Gasket set				