

MH 180 (EN709) Rotary tiller



Документы

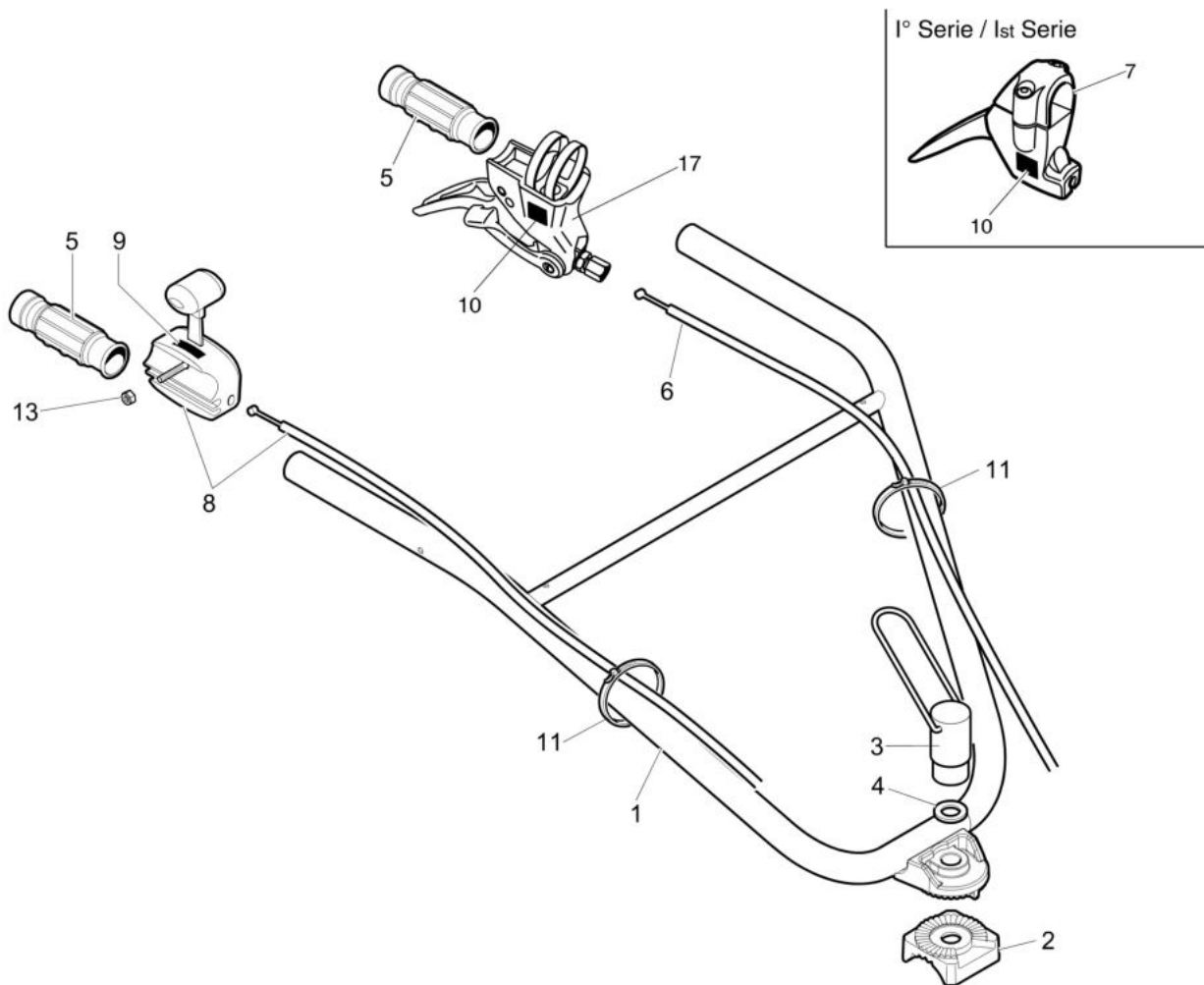
Handle-bar adjustable and control box

Frame (Handle-bar adjustable)

Hoods

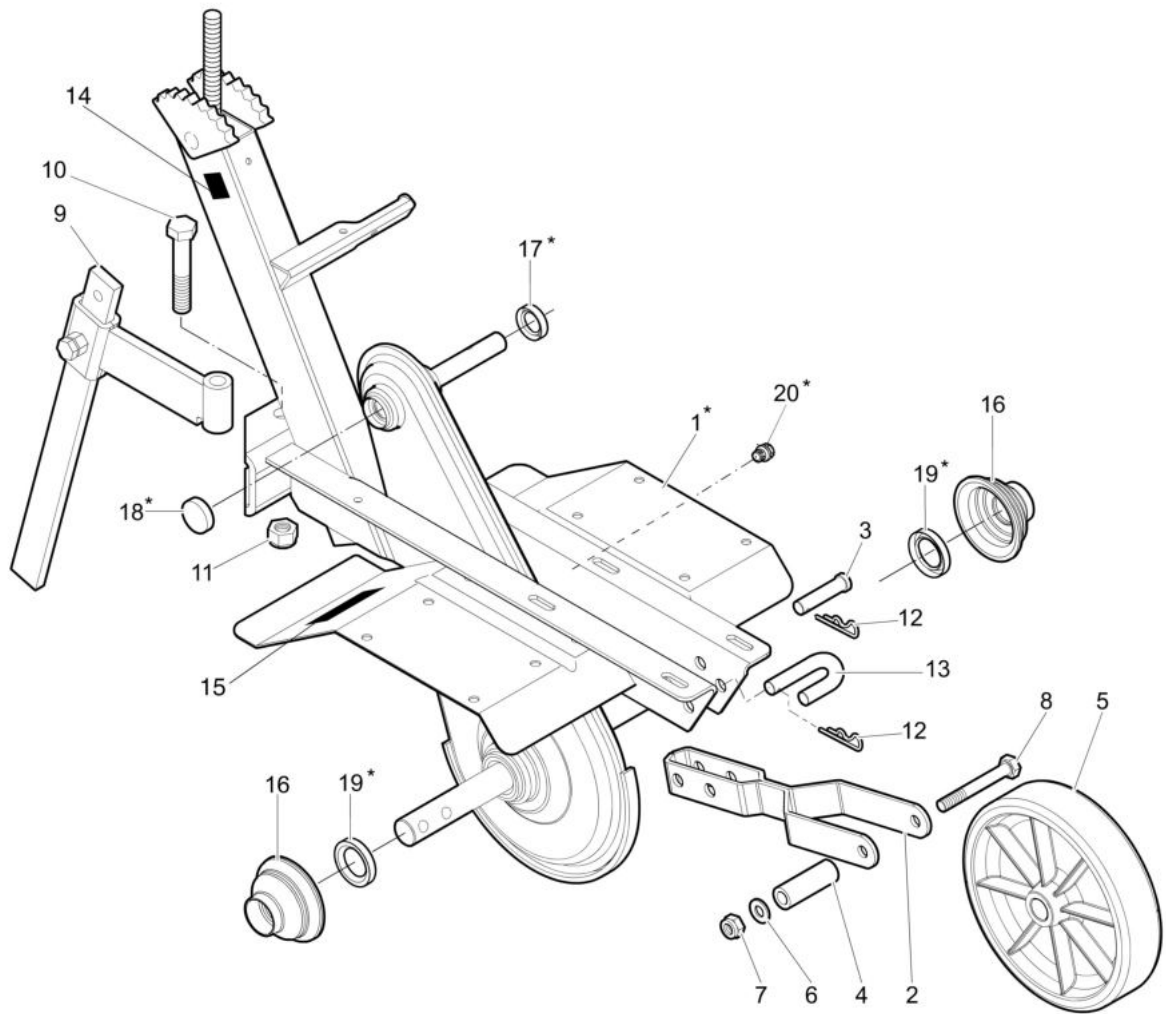
Gears

Tiller



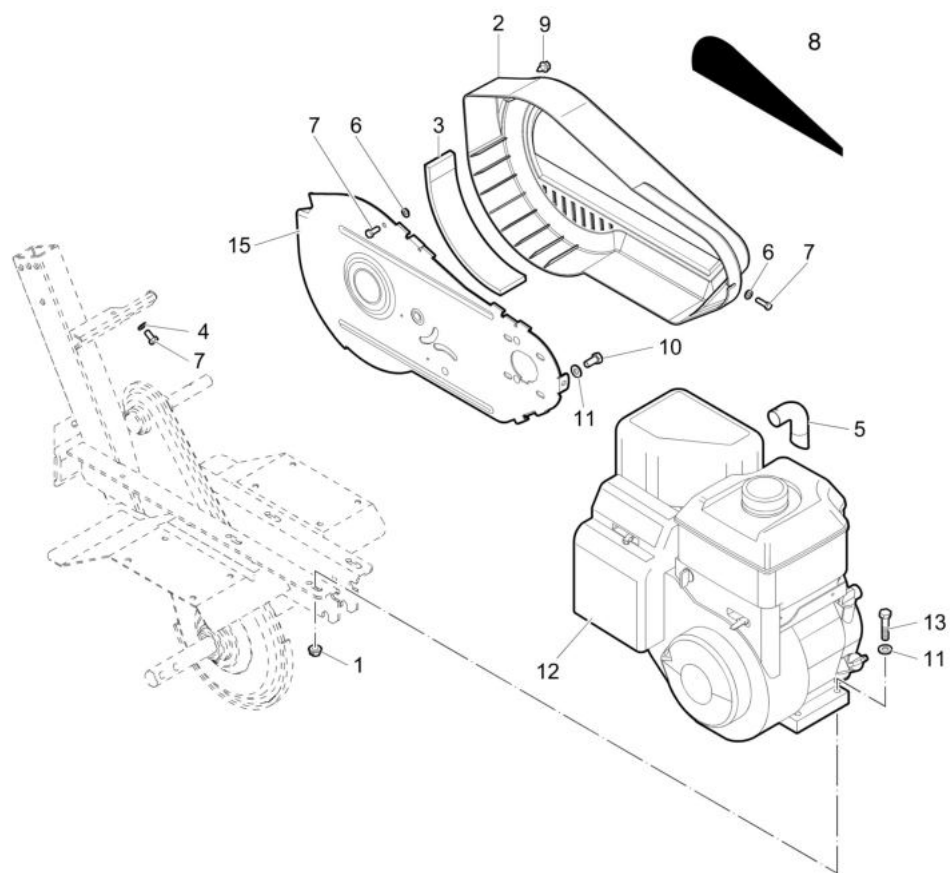
изображение Handle-bar adjustable and control box

Ref.Nu	Qty	Part number	Description	Validity from	Validity till	Notes	Bulletin
1	1	68690012	Handlebar				
2	1	YF1231651	Serrated plate				
3	2	YF1231634	Lever				
4	1	YF1231635	Washer				
5	2	YN2847410	Handle start	01/2011		EN 709	BT9-005-04/12
6	1	68690062R	Transmission	SN B353102094		Avanzamento; Forward	BT9-006-12/13
7	1	68690028R	Lever (single) START	01/2011	SN B353102093	Con blocco di sicurezza; With safety block EN 709	BT9-005-04/12, BT9-006-12/13
8	1	68690021R	Throttle			GX 160 UE, GX 160 Extra	
8	1	YF1231708	Throttle			GC 135; GC160; B&S	
9	1	YN5380100	Plate (Accelerator)			DOV800; B&S INTEK OHV Su richiesta; Upon request	
10	1	YN5380670	Plate (Yaw)			Su richiesta; Upon request	
11	2	YN1764000	Band				
13	1	3914006R	Nut				
17	1	68690061R	Lever (single)	SN B353102094			BT9-006-12/13



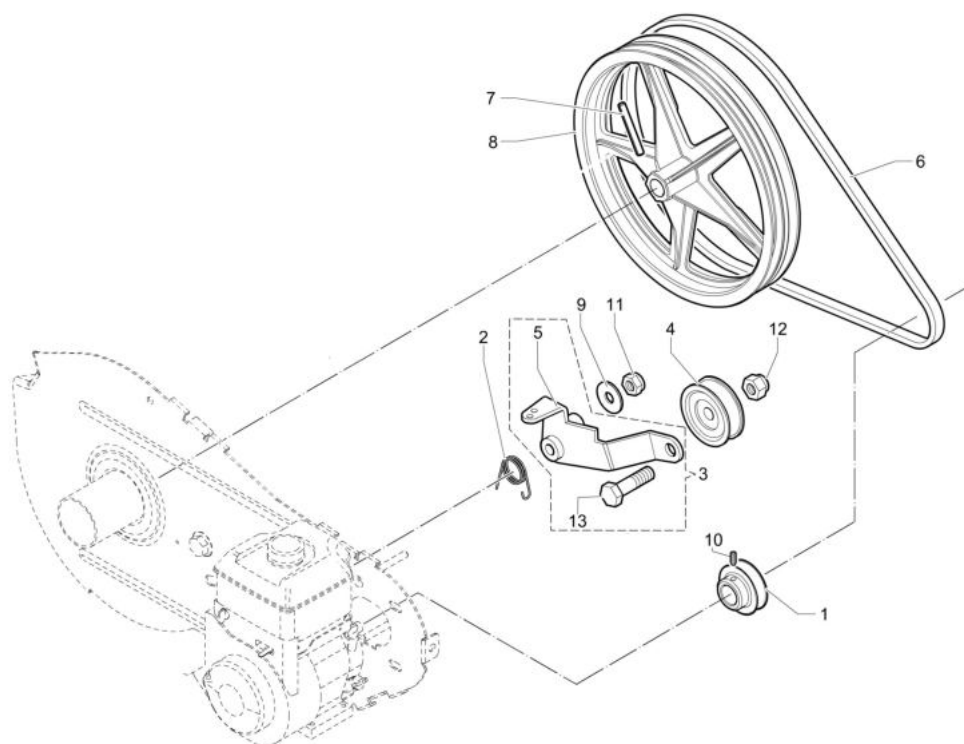
изображение Frame (Handle-bar adjustable)

Ref.Nu	Qty	Part number	Description	Validity from	Validity till	Notes	Bulletin
1	1	68692007	Frame (protection + cap)				
2	1	68690011	Support (wheel)				
3	1	YF1231625	Pin				
4	1	YF1231669	Spacer				
5	1	400400300R	Wheel				
6	1	3916010R	Washer				
7	1	3914014R	Nut				
8	1	YN6358200	Screw				
9	1	68690010	Drag bar				
10	1	YN6433110	Screw				
11	1	YN1476760	Nut				
12	2	YN5135700	Cotter pin				
13	1	YF1231624	U-bolt				
14	1	N5388666	Plate CE			Su richiesta; Upon request	
15	1	YF1233111	Plate (danger)			Su richiesta; Upon request	
16	2	YF1233106	Guard				
17	1	YN0205400	Ring				
18	1	YN5269990	Cap				
19	2	3050046R	Seal ring				
20	1	YN5254000	Oil cap				



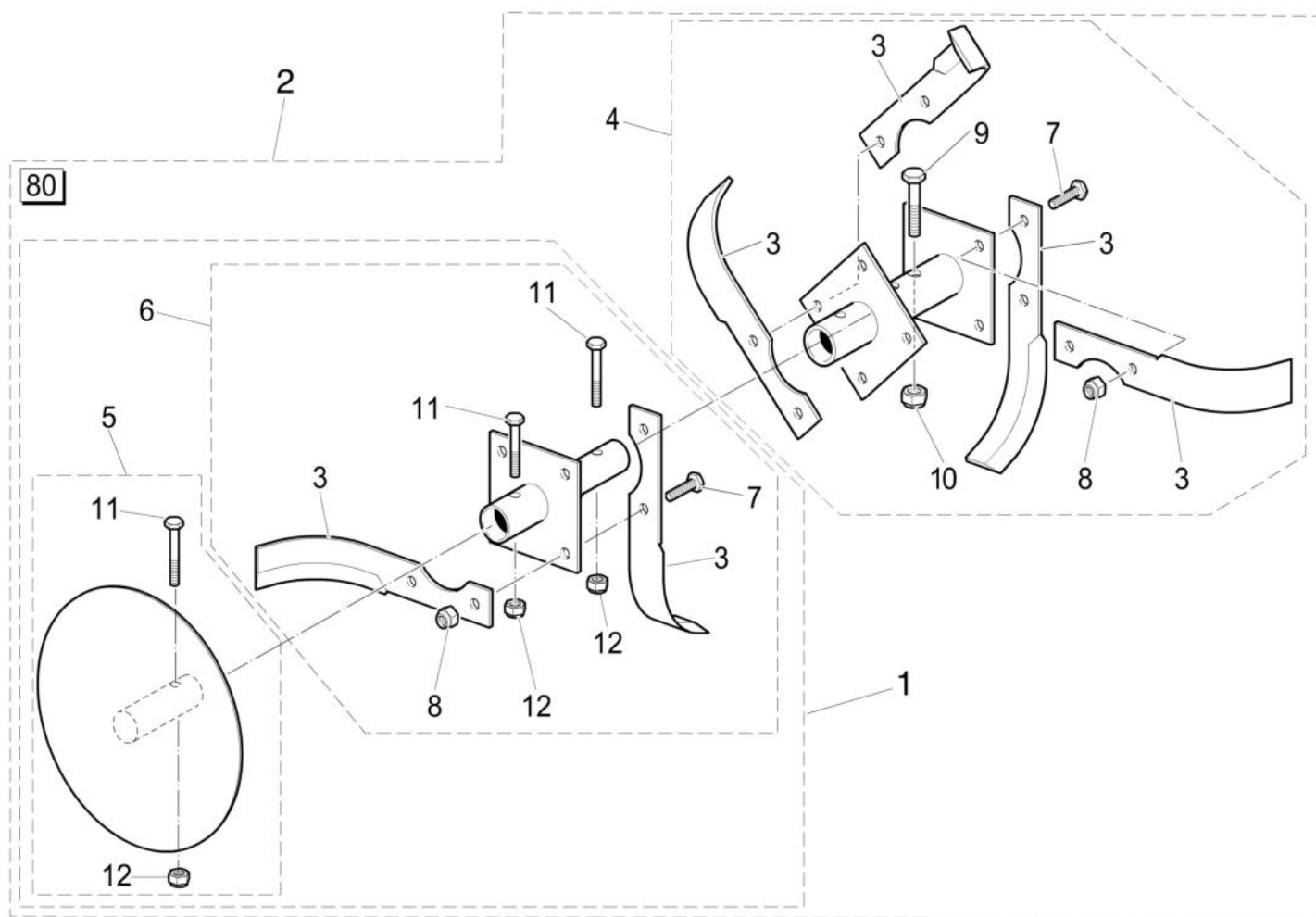
изображение Hoods

Ref.Nu	Qty	Part number	Description	Validity from	Validity till	Notes	Bulletin
1	2	YN1457570	Nut				
2	1	68670021ER	Hood				
3	1	F1232205R	Rubber profile		01/2010		
4	1	YN4361900	Washer				
5	1	F1230002	Grip-end			GX 160 UE; GX 160 Extra UE; Emak K800H; GC 135	
6	1	YN4361900	Washer				
7	1	301000042R	Screw				
8	1	YF1232181	Plate			Su richiesta; Upon request	
9	1	N3752100	Wing nut				
10	1	YN6243940	Screw			GC 160; GX 160 UE; GX 160	
11	1	3916008R	Washer				
12	-	-	Not available for this product			UE; GC 135	
13	1	3806076R	Screw				
15	1	F1232126	Plate				



изображение Gears

Ref.Nu	Qty	Part number	Description	Validity from	Validity till	Notes	Bulletin
1	1	YF1231607	Pulley				
2	1	YF1231613	Spring				
3	1	68692005	Lever group				BT9-003-11/10
4	1	YF1231615	Bearing				
5	1	68690030R	Jockey roll leve				BT9-003-11/10
6	1	YF1231609	Belt				
7	1	YN5129400	Plug				
8	1	68670056AR	Pulley				
9	1	YN4382550	Washer				
10	1	YN6195100	Screw				
11	1	3914014R	Nut				
12	1	YN1470200	Nut				
13	1	YN6370300	Screw				BT9-003-11/10



изображение Tiller

Ref.Nu	Qty	Part number	Description	Validity from	Validity till	Notes	Bulletin
1	1	68620032A	Extension			DX; RIGHT	
1	1	68620033A	Extension			SX; LEFT	
2	1	68622002R	Rotor (complete)			Kit 80 cm composto da:	
3	1	R0000143	Cutters kit			F1233123, DX + F1233124, KIT: F1233102, DX, 10pz + SX: 80 cm set completo	
4	1	68690035R	Tiller			DX; RIGHT	
4	1	68690036R	Tiller			F1233124, LEFT, 10pcs SX; LEFT, 10pcs	
5	1	68620046AR	Disk				
6	1	68620033A	Extension			DX; RIGHT	
6	1	68620032A	Extension			SX; LEFT	
7	12	3933034AR	Screw				
8	12	YN1458020	Nut				
9	2	YN6342900	Screw				
10	2	3914014R	Nut				
11	2	3806076R	Screw				
12	2	3914010R	Nut				