

MH 185 Rotary tiller



Документы

Control box (Handle-bar)

Frame

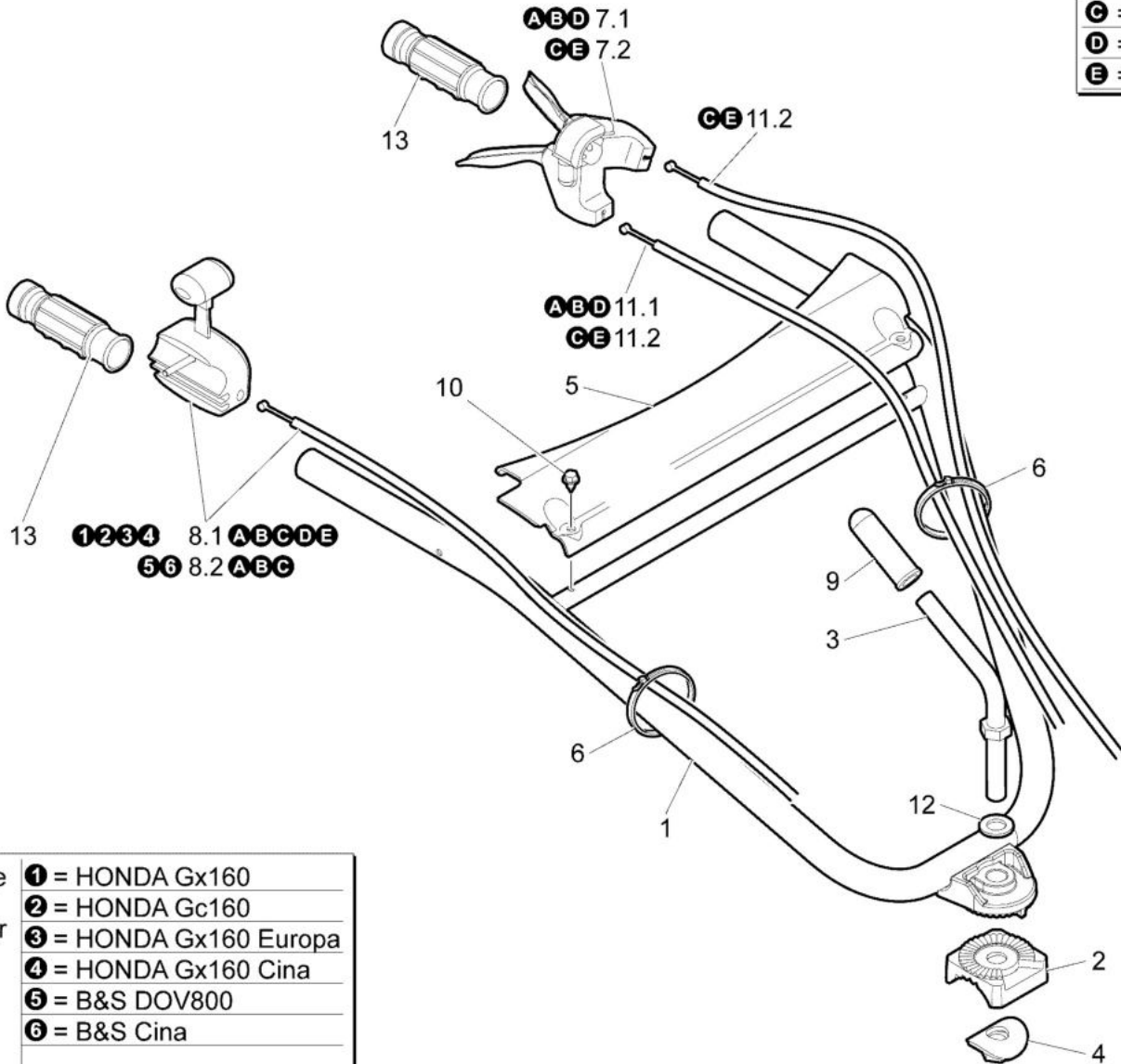
Hoods

Gears

Tiller

Plate

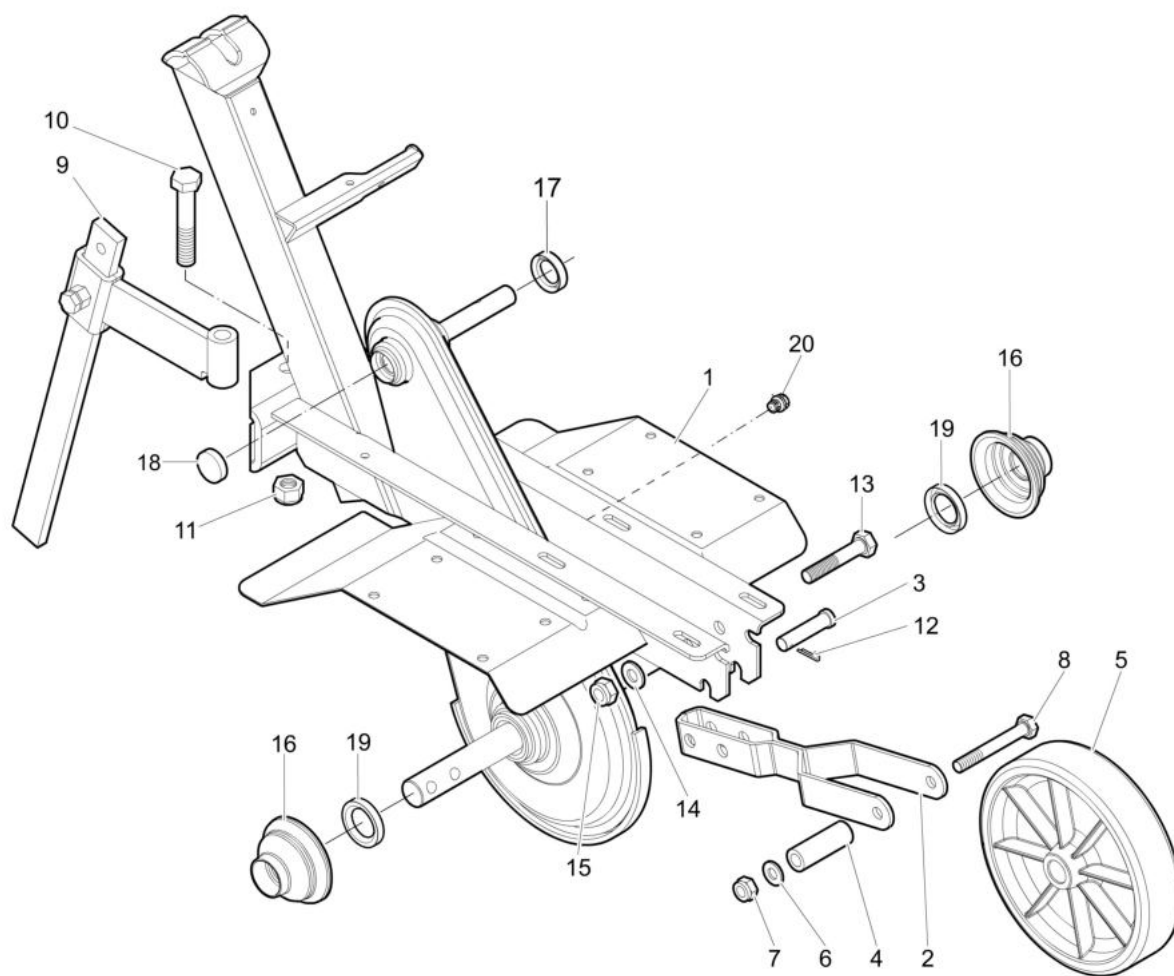
A	= MH 165
B	= MH 185
C	= MH 185R
D	= MH 195
E	= MH 195R



Motore	1 = HONDA Gx160
Motor	2 = HONDA Gc160
Moteur	3 = HONDA Gx160 Europa
	4 = HONDA Gx160 Cina
	5 = B&S DOV800
	6 = B&S Cina

изображение Control box (Handle-bar)

Ref.Nu	Qty	Part number	Description	Validity from	Validity till	Notes	Bulletin
1	1	68620006	Handlebar				
2	1	YF1231675	Angle joint				
3	1	YF1231670	Regulating lever				
4	1	YF1231673	Special nut				
5	1	F1430114	Casing (orange)				
6	2	YN1764000	Band				
7.1	1	68690028R	Lever (single) START	01/2011		Con blocco di sicurezza;	
7.1	1	68690028R	Lever (single) START		12/2010	With safety block	
7.2	-	-	Not available for this product				
8.1	1	68690021R	Throttle				
8.2	1	YF1231708	Throttle				
9	1	YK8211008	Knob				
10	2	YN6243651	Screw				
11.1	1	68690062R	Transmission				
11.2	-	-	Not available for this product				
12	1	3916016	Washer				
13	2	YN2847410	Handle start				



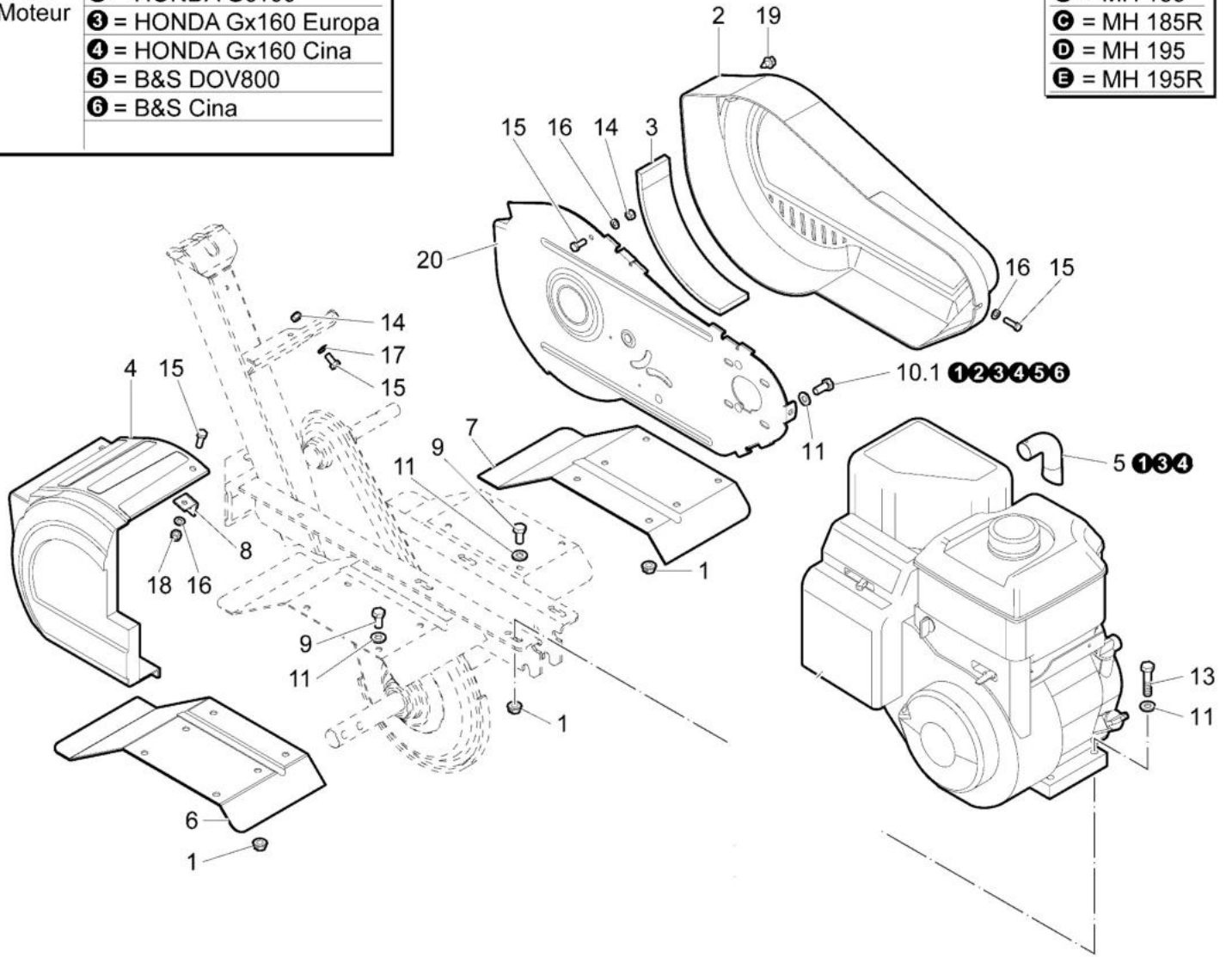
изображение Frame

Ref.Nu	Qty	Part number	Description	Validity from	Validity till	Notes	Bulletin
1	1	68620001R	Frame				
2	1	68620004	Support (wheel)				
3	1	F1231668	Pin				
4	1	YF1231669	Spacer				
5	1	400400300R	Wheel				
6	1	3916010R	Washer				
7	1	3914014R	Nut				
8	1	YN6358200	Screw				
9	1	68690010	Drag bar				
10	1	N6433210	Screw				
11	1	YN1476760	Nut				
12	1	YN5135700	Cotter pin				
13	1	YN6402600	Screw				
14	1	3916012R	Washer				
15	1	YN1470200	Nut				
16	2	YF1233106	Guard				
17	1	YN0205400	Ring				
18	1	YN5269990	Cap				
19	2	3050046R	Seal ring				
20	1	YN5254000	Oil cap				

0806_003_00

Motore	1 = HONDA Gx160
Motor	2 = HONDA Gc160
Moteur	3 = HONDA Gx160 Europa
	4 = HONDA Gx160 Cina
	5 = B&S DOV800
	6 = B&S Cina

A	= MH 165
B	= MH 185
C	= MH 185R
D	= MH 195
E	= MH 195R

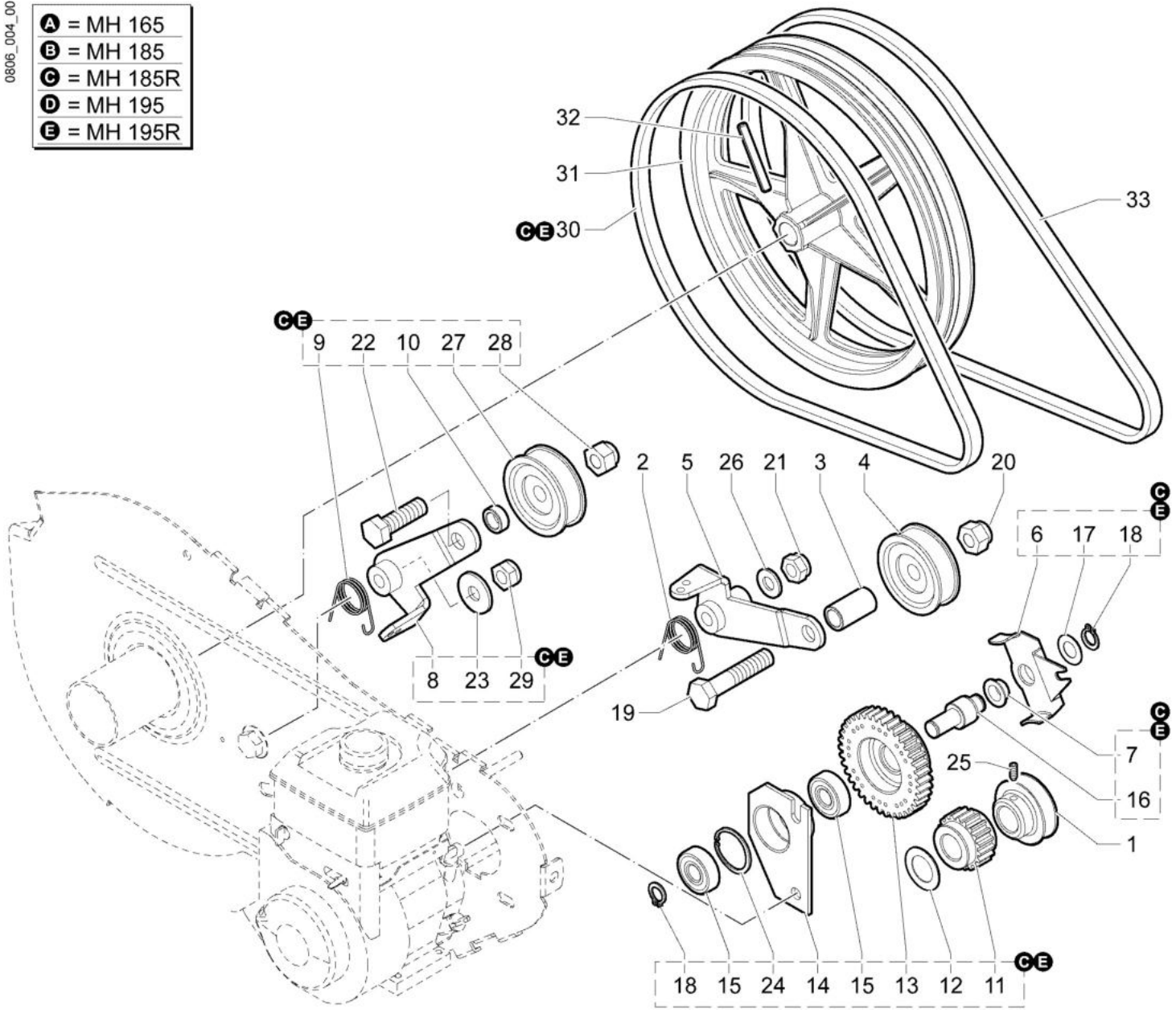


изображение Hoods

Ref.Nu	Qty	Part number	Description	Validity from	Validity till	Notes	Bulletin
1	8	YN1457570	Nut				
2	1	68670021ER	Hood				
3	1	F1232205R	Rubber profile		01/2010		
4	1	68670022R	Hood				
5	-		Not available for this product				
6	1	68620029	Guard			SX + DX; RIGHT + LEFT	
7	1	68620029	Guard			SX + DX; RIGHT + LEFT	
8	1	YF1232108	Support				
9	4	YN6254600	Screw				
10.1	4	YN6243940	Screw				
11	12	3916008R	Washer				
13	4	3806076R	Screw				
14	2	3914006R	Nut				
15	4	301000042R	Screw				
16	3	YN4361900	Washer				
17	1	3916006R	Washer				
18	2	YN1727050	Nut				
19	1	YN6243651	Screw				
20	1	68620008B	Rear guard				

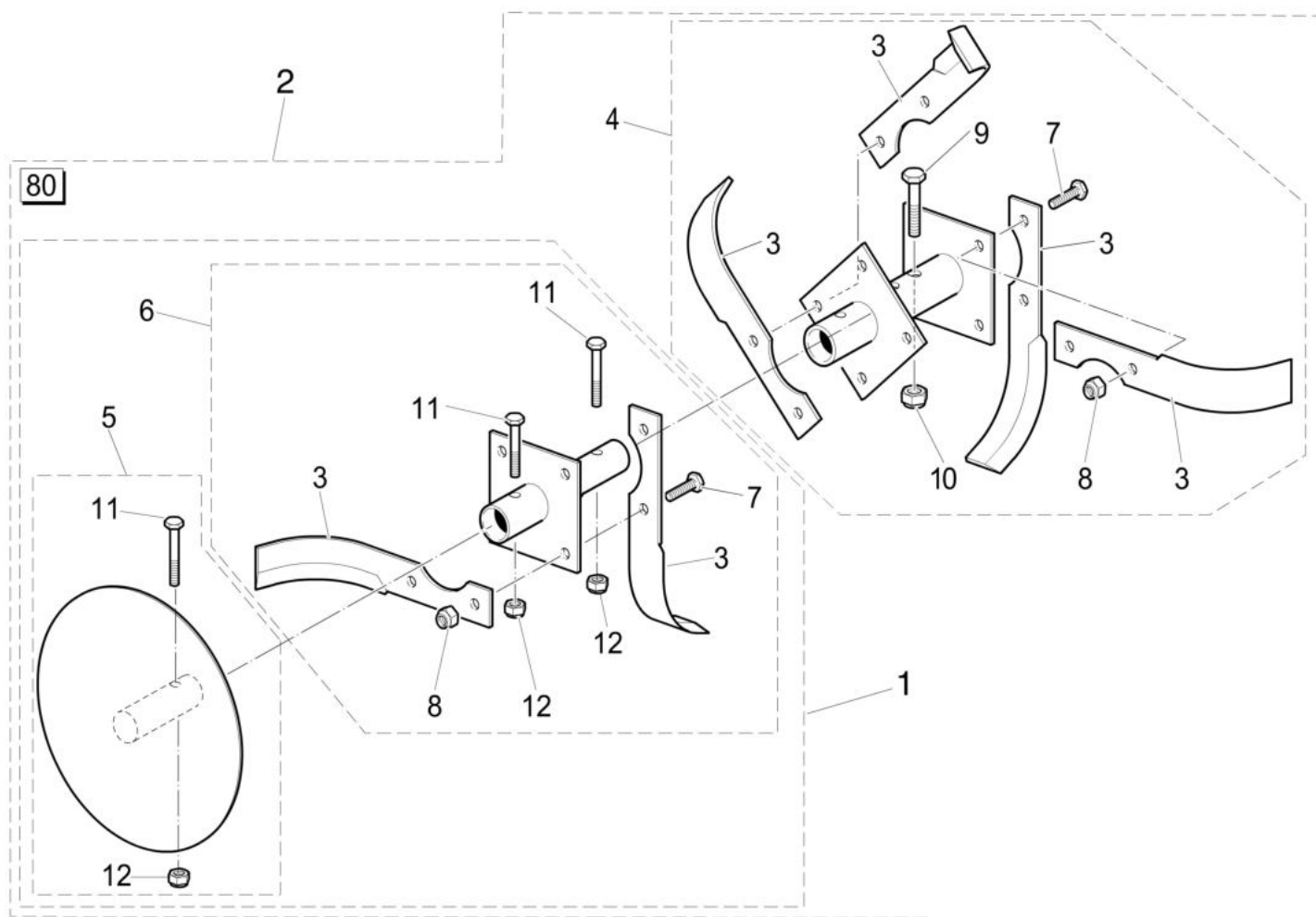
0806_004_00

- | | |
|----------|-----------|
| A | = MH 165 |
| B | = MH 185 |
| C | = MH 185R |
| D | = MH 195 |
| E | = MH 195R |



изображение Gears

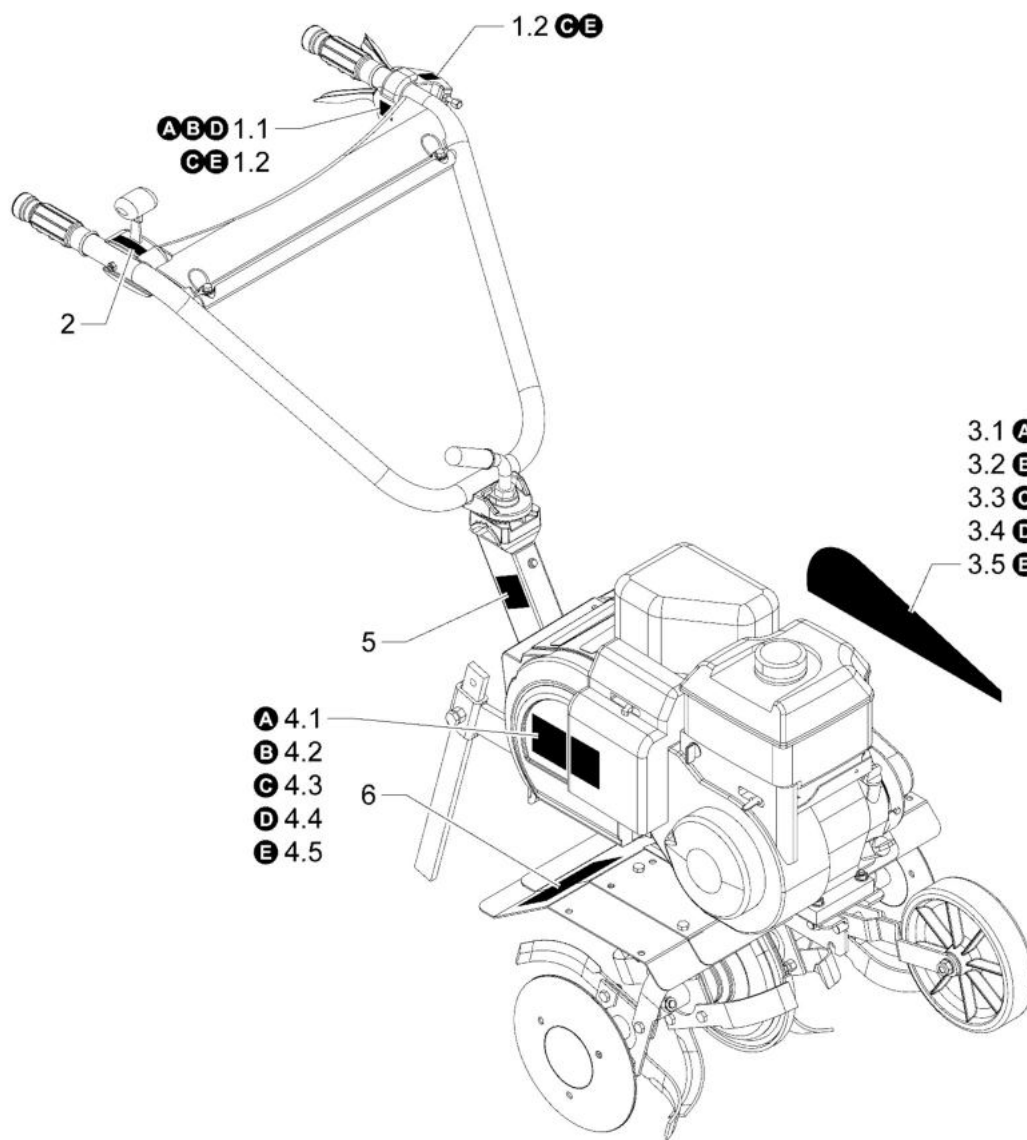
Ref.Nu	Qty	Part number	Description	Validity from	Validity till	Notes	Bulletin
1	1	YF1231607	Pulley				
2	1	YF1231613	Spring				
3	1	YF1231614	Spacer				
4	1	YF1231615	Bearing				
5	1	F1231693	Control lever (front)				
6	-		Not available for this product				
7	-		Not available for this product				
8	-		Not available for this product				
9	-		Not available for this product				
10	-		Not available for this product				
11	-		Not available for this product				
12	-		Not available for this product				
13	-		Not available for this product				
14	-		Not available for this product				
15	-		Not available for this product				
16	-		Not available for this product				
17	-		Not available for this product				
18	-		Not available for this product				
19	1	YN6402600	Screw				
20	1	YN1470200	Nut				
21	1	3914014R	Nut				
22	-		Not available for this product				
23	-		Not available for this product				
24	1	3025021R	Ring				
25	1	YN6195100	Screw				
26	1	3916010R	Washer				
27	-		Not available for this product				
28	-		Not available for this product				
29	-		Not available for this product				
30	-		Not available for this product				
31	1	68670056AR	Pulley				
32	1	YN5129400	Plug				
33	1	YF1231609	Belt				



изображение Tiller

Ref.Nu	Qty	Part number	Description	Validity from	Validity till	Notes	Bulletin
1	1	68620032A	Extension			DX; RIGHT	
1	1	68620033A	Extension			SX; LEFT	
2	1	68622002R	Rotor (complete)			Kit 80 cm composto da:	
3	1	R0000143	Cutters kit			F1233123, DX + F1233124, KIT: F1233102, DX, 10pz + SX: 80 cm set complete	
4	1	68690035R	Tiller			DX; RIGHT	
4	1	68690036R	Tiller			F1233124, LEFT, 10pcs SX; LEFT, 10pcs	
5	1	68620046AR	Disk				
6	1	68620033A	Extension			DX; RIGHT	
6	1	68620032A	Extension			SX; LEFT	
7	12	3933034AR	Screw				
8	12	YN1458020	Nut				
9	2	YN6342900	Screw				
10	2	3914014R	Nut				
11	2	3806076R	Screw				
12	2	3914010R	Nut				

0806_006_00



A	= MH 165
B	= MH 185
C	= MH 185R
D	= MH 195
E	= MH 195R

изображение Plate

Ref.Nu	Qty	Part number	Description	Validity from	Validity till	Notes	Bulletin
1.1	1	YN5380670	Plate (Yaw)			Su richiesta; Upon request	
1.2	2	YN5380100	Plate (Accelerator)			Su richiesta; Upon request	
2	1	YN5380100	Plate (Accelerator)			Su richiesta; Upon request	
3.1	1	F1232226	Plate MH 165			Su richiesta; Upon request	
3.2	1	F1232227	Plate MH 185			Su richiesta; Upon request	
3.3	1	F1232228	Plate MH 185R			Su richiesta; Upon request	
3.4	1	YF1232229	Plate MH 195			Su richiesta; Upon request	
3.5	1	F1232230	Plate MH 195R			Su richiesta; Upon request	
4.1	1	F1232231	Plate MH 165			Su richiesta; Upon request	
4.2	1	F1232232	Plate MH 185			Su richiesta; Upon request	
4.3	1	F1232233	Plate MH 185R			Su richiesta; Upon request	
4.4	1	YF1232234	Plate MH 195			Su richiesta; Upon request	
4.5	1	F1232235	Plate MH 195R			Su richiesta; Upon request	
5	1	N5388666	Plate CE			Su richiesta; Upon request	
6	1	YF1233111	Plate (danger)			Su richiesta; Upon request	