

## MH 197 RK (K800 HC) Rotary tiller



### Документы

Gears (1/2)

---

Frame

---

Wheel

---

Drag bar

---

Gears (2/2)

---

Hood

---

Handlebar

---

Tiller hood

---

Tiller

---

Wheels 12"

---

Wheels 16"

---

Optional

---

Cylinder head

---

Ignition system

---

Crankcase

---

Crankcase cover

---

Crankshaft and piston

---

Valve and governor

---

Flywheel and coil

---

Control lever

---

Muffler

---

Air filter

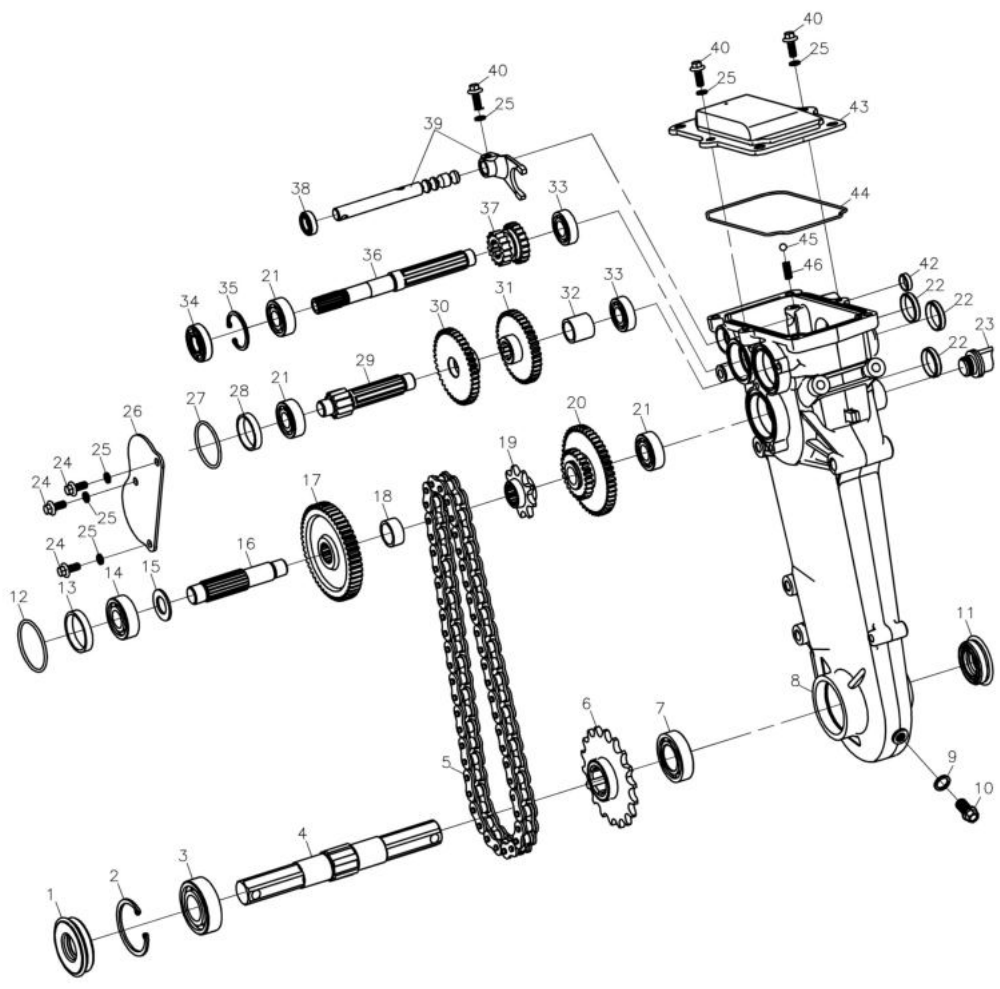
---

Tank

---

Carburetor

---



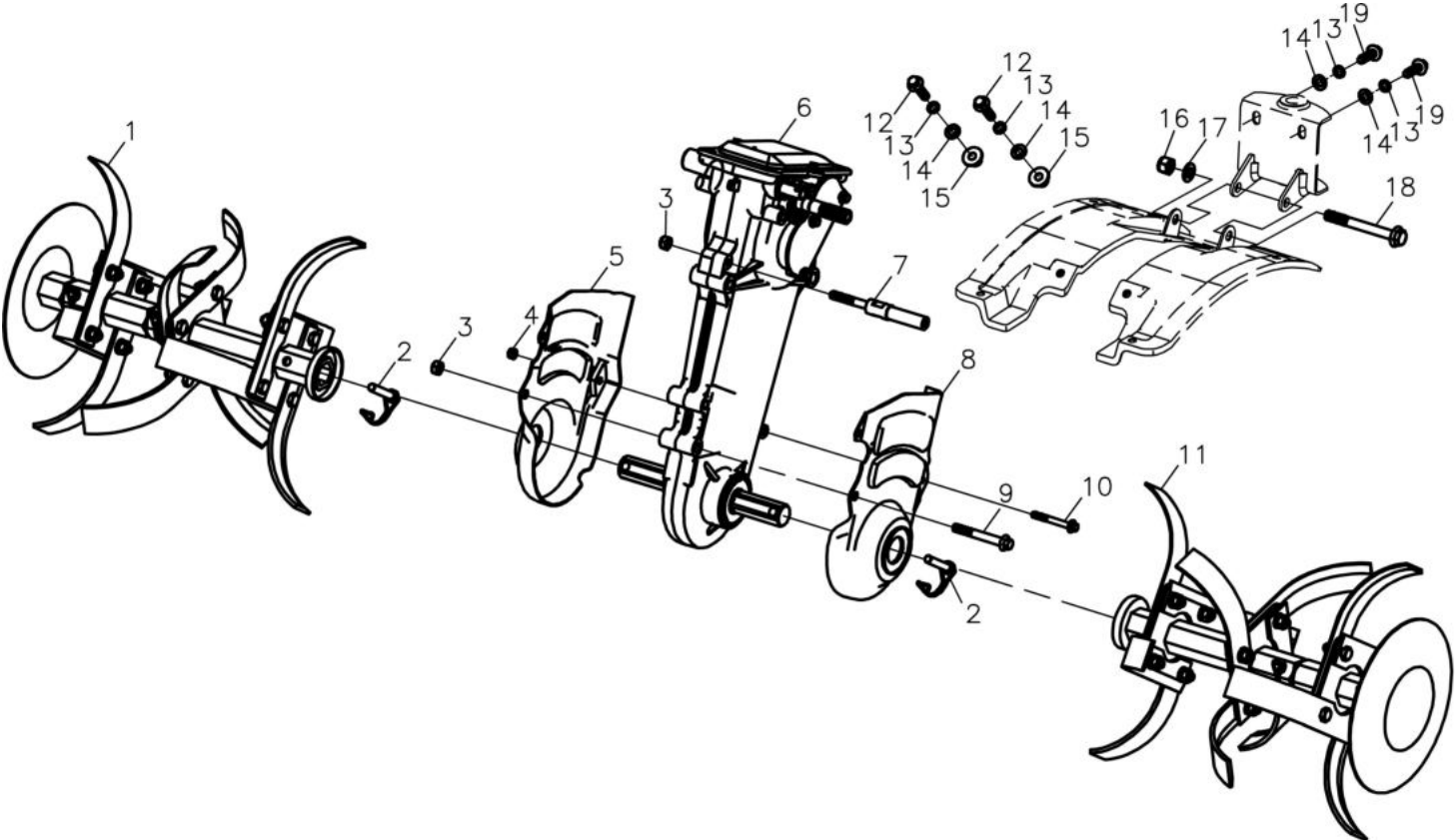
## изображение Gears (1/2)

| Ref.Nu | Qty | Part number | Description  | Validity from | Validity till | Notes | Bulletin |
|--------|-----|-------------|--------------|---------------|---------------|-------|----------|
| 1      | 1   | L66150753   | Oil seal     |               |               |       |          |
| 2      | 1   | L66150773   | Oil seal     |               |               |       |          |
| 3      | 1   | L66150779   | Bearing      |               |               |       |          |
| 4      | 1   | L66150746   | Shaft        |               |               |       |          |
| 5      | 1   | L66150780   | Chain        |               |               |       |          |
| 6      | 1   | L66150781   | Gear         |               |               |       |          |
| 7      | 1   | L66150783   | Bearing      |               |               |       |          |
| 8      | 1   | L66150887   | Transmission |               |               |       |          |
| 9      | 1   | L66150354   | Washer       |               |               |       |          |
| 10     | 1   | L66150797   | Nut          |               |               |       |          |
| 11     | 1   | L66150811   | Oil seal     |               |               |       |          |
| 12     | 1   | L66150819   | Seal ring    |               |               |       |          |
| 13     | 1   | L66150826   | Bushing      |               |               |       |          |
| 14     | 1   | L66150827   | Bearing      |               |               |       |          |
| 15     | 1   | L66150855   | Washer       |               |               |       |          |
| 16     | 1   | L66150856   | Shaft        |               |               |       |          |
| 17     | 1   | L66150857   | Gear         |               |               |       |          |
| 18     | 1   | L66150858   | Bushing      |               |               |       |          |
| 19     | 1   | L66150859   | Gear         |               |               |       |          |
| 20     | 1   | L66150860   | Gear         |               |               |       |          |
| 21     | 3   | L66150657   | Bearing      |               |               |       |          |
| 22     | 3   | L66150861   | Oil seal     |               |               |       |          |
| 23     | 1   | L66150541   | Complete cap |               |               |       |          |
| 24     | 3   | L66150393   | Screw        |               |               |       |          |
| 25     | 6   | L66150862   | Washer       |               |               |       |          |
| 26     | 1   | L66150863   | Deflector    |               |               |       |          |
| 27     | 1   | L66150864   | Seal ring    |               |               |       |          |
| 28     | 1   | L66150865   | Bushing      |               |               |       |          |
| 29     | 1   | L66150866   | Shaft        |               |               |       |          |
| 30     | 1   | L66150867   | Gear         |               |               |       |          |
| 31     | 1   | L66150868   | Gear         |               |               |       |          |
| 32     | 1   | L66150869   | Bushing      |               |               |       |          |
| 33     | 2   | L66150870   | Bearing      |               |               |       |          |
| 34     | 1   | L66150871   | Oil seal     |               |               |       |          |
| 35     | 1   | L66150862   | Washer       |               |               |       |          |
| 36     | 1   | L66150872   | Drive shaft  |               |               |       |          |
| 37     | 1   | L66150873   | Gear         |               |               |       |          |
| 38     | 1   | L66150874   | Oil seal     |               |               |       |          |
| 39     | 1   | L66151204   | Shaft        |               |               |       |          |
| 40     | 3   | L66150251   | Screw        |               |               |       |          |
| 42     | 1   | L66150877   | Oil seal     |               |               |       |          |
| 43     | 1   | L66150878   | Cover        |               |               |       |          |
| 44     | 1   | L66150879   | Seal ring    |               |               |       |          |
| 45     | 1   | L66150880   | Ball         |               |               |       |          |

## изображение Gears (1/2)

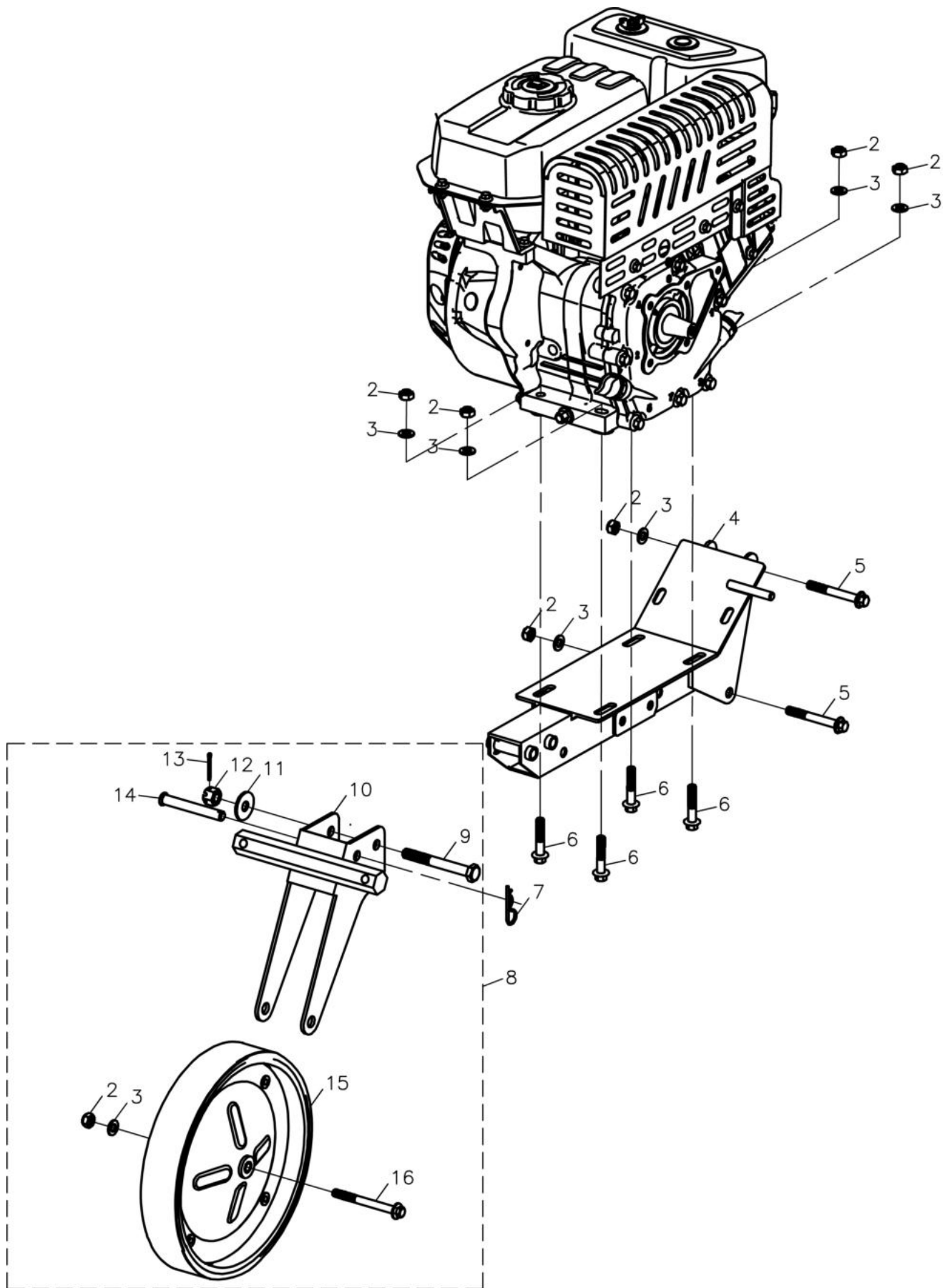
---

| Ref.Nu | Qty | Part number | Description | Validity from | Validity till | Notes | Bulletin |
|--------|-----|-------------|-------------|---------------|---------------|-------|----------|
| 46     | 1   | L66150881   | Spring      |               |               |       |          |



## изображение Frame

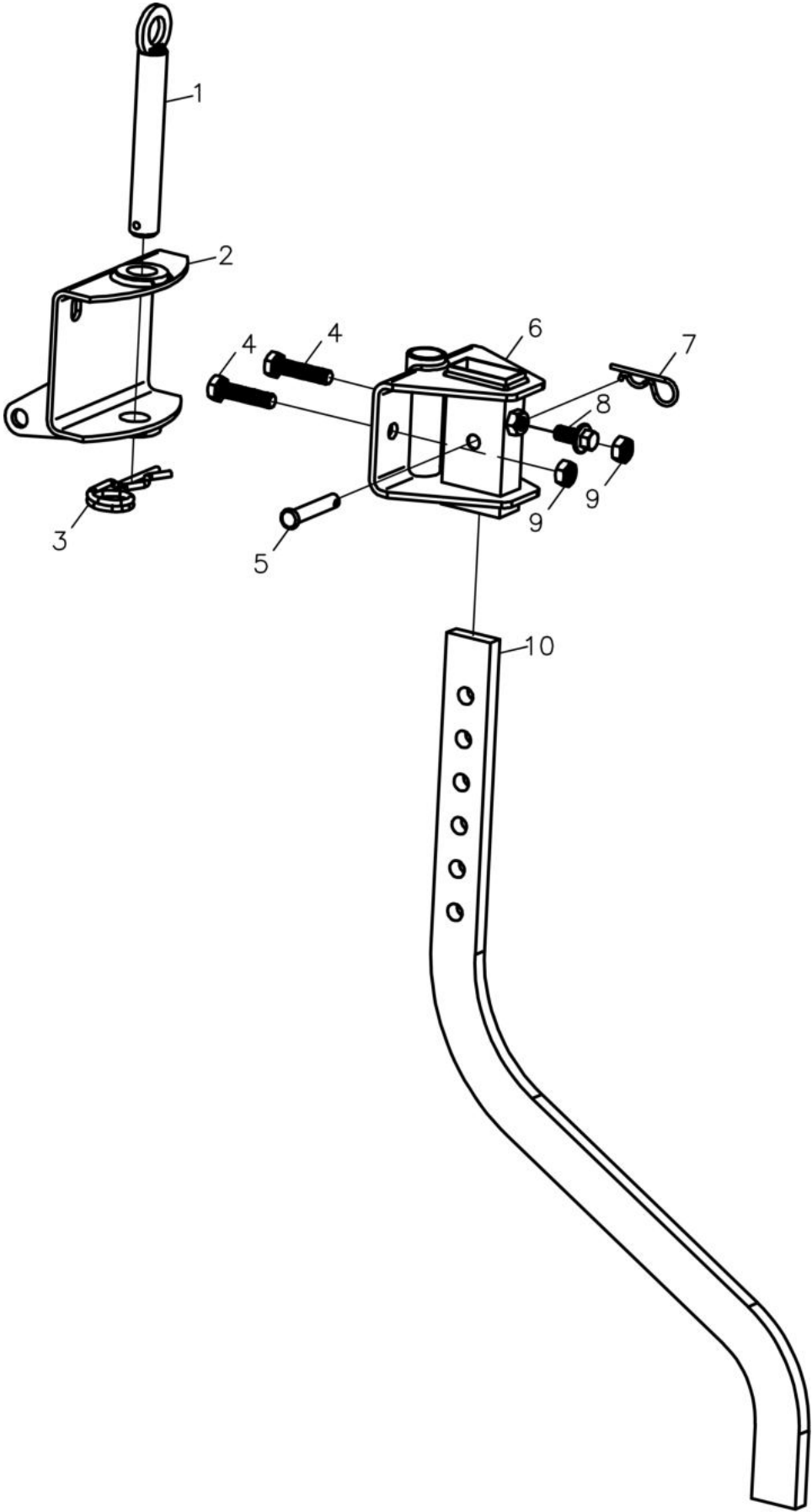
| Ref.Nu | Qty | Part number | Description  | Validity from | Validity till | Notes          | Bulletin |
|--------|-----|-------------|--------------|---------------|---------------|----------------|----------|
| 1      | 1   | L66150882   | Cutters kit  |               |               | Destro; Right  |          |
| 2      | 2   | L66150883   | Clip         |               |               |                |          |
| 3      | 2   | L66150884   | Nut          |               |               |                |          |
| 4      | 1   | L66150885   | Nut          |               |               |                |          |
| 5      | 1   | L66150886   | Guard        |               |               | Destro; Right  |          |
| 6      | 1   | L66150887   | Transmission |               |               |                |          |
| 7      | 1   | L66150888   | Spindle      |               |               |                |          |
| 8      | 1   | L66150889   | Guard        |               |               | Sinistro; Left |          |
| 9      | 1   | L66150890   | Bolt         |               |               |                |          |
| 10     | 1   | L66150256   | Screw        |               |               |                |          |
| 11     | 1   | L66150891   | Cutters kit  |               |               | Sinistro; Left |          |
| 12     | 2   | L66150892   | Bolt         |               |               |                |          |
| 13     | 4   | L66150893   | Bearing      |               |               |                |          |
| 14     | 4   | L66150894   | Washer       |               |               |                |          |
| 15     | 2   | L66150895   | Bushing      |               |               |                |          |
| 16     | 1   | L66150896   | Nut          |               |               |                |          |
| 17     | 1   | L66150897   | Washer       |               |               |                |          |
| 18     | 1   | L66150898   | Bolt         |               |               |                |          |
| 19     | 2   | L66150899   | Bolt         |               |               |                |          |



## изображение Wheel

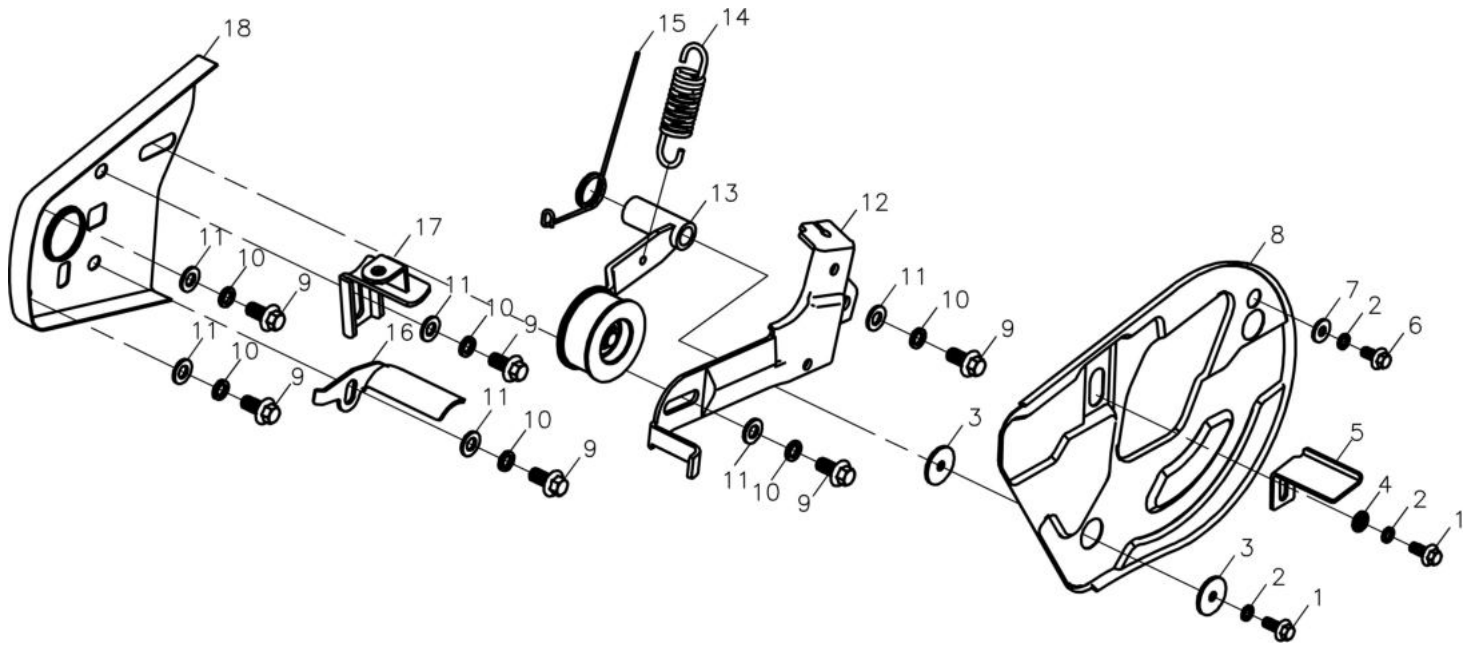
| Ref.Nu | Qty | Part number | Description | Validity from | Validity till | Notes | Bulletin |
|--------|-----|-------------|-------------|---------------|---------------|-------|----------|
| 2      | 7   | L66150884   | Nut         |               |               |       |          |
| 3      | 7   | L66150894   | Washer      |               |               |       |          |
| 4      | 1   | L66150900   | Bracket     |               |               |       |          |
| 5      | 2   | L66150890   | Bolt        |               |               |       |          |
| 6      | 4   | L66150901   | Bolt        |               |               |       |          |
| 7      | 1   | L66150902   | Pin         |               |               |       |          |
| 8      | 1   | L66150903   | Wheel kit   |               |               |       |          |
| 9      | 1   | L66150904   | Bolt        |               |               |       |          |
| 10     | 1   | L66150905   | Fork        |               |               |       |          |
| 11     | 1   | L66150906   | Washer      |               |               |       |          |
| 12     | 1   | L66150907   | Nut         |               |               |       |          |
| 13     | 1   | L66150908   | Pin         |               |               |       |          |
| 14     | 1   | L66151269   | Pin         |               |               |       |          |
| 15     | 1   | L66150910   | Front wheel |               |               |       |          |
| 16     | 1   | L66150911   | Bolt        |               |               |       |          |





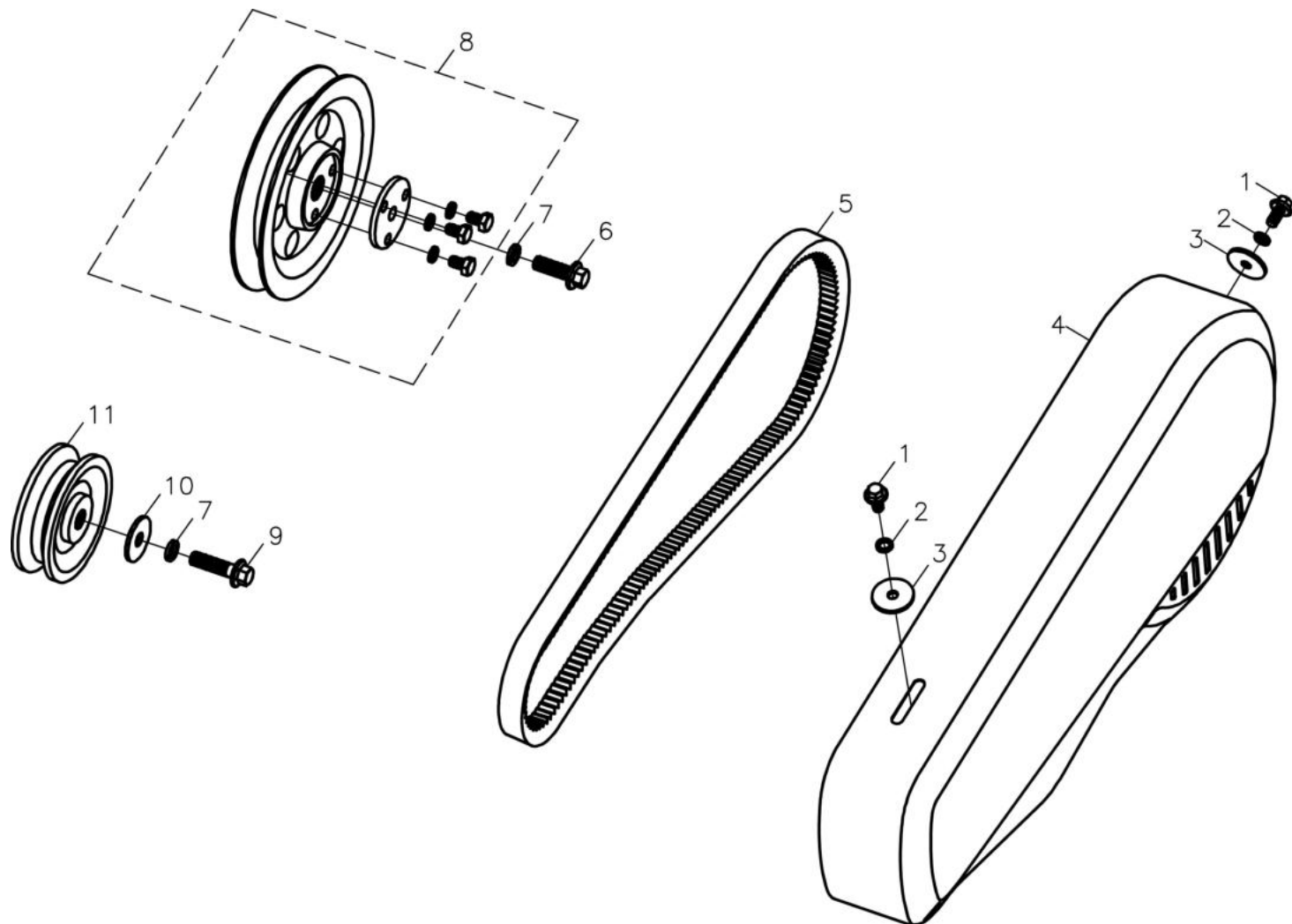
## изображение Drag bar

| Ref.Nu | Qty | Part number | Description         | Validity from | Validity till | Notes | Bulletin |
|--------|-----|-------------|---------------------|---------------|---------------|-------|----------|
| 1      | 1   | L66150912   | Pin                 |               |               |       |          |
| 2      | 1   | L66150913   | Shock absorber seat |               |               |       |          |
| 3      | 1   | L66150914   | Pin                 |               |               |       |          |
| 4      | 2   | L66150915   | Bolt                |               |               |       |          |
| 5      | 1   | L66150916   | Pin                 |               |               |       |          |
| 6      | 1   | L66150917   | Damping arm seat    |               |               |       |          |
| 7      | 1   | L66150902   | Pin                 |               |               |       |          |
| 8      | 1   | L66150918   | Bolt                |               |               |       |          |
| 9      | 2   | 320000028R  | Nut                 |               |               |       |          |
| 10     | 1   | L66150919   | Damping arm         |               |               |       |          |



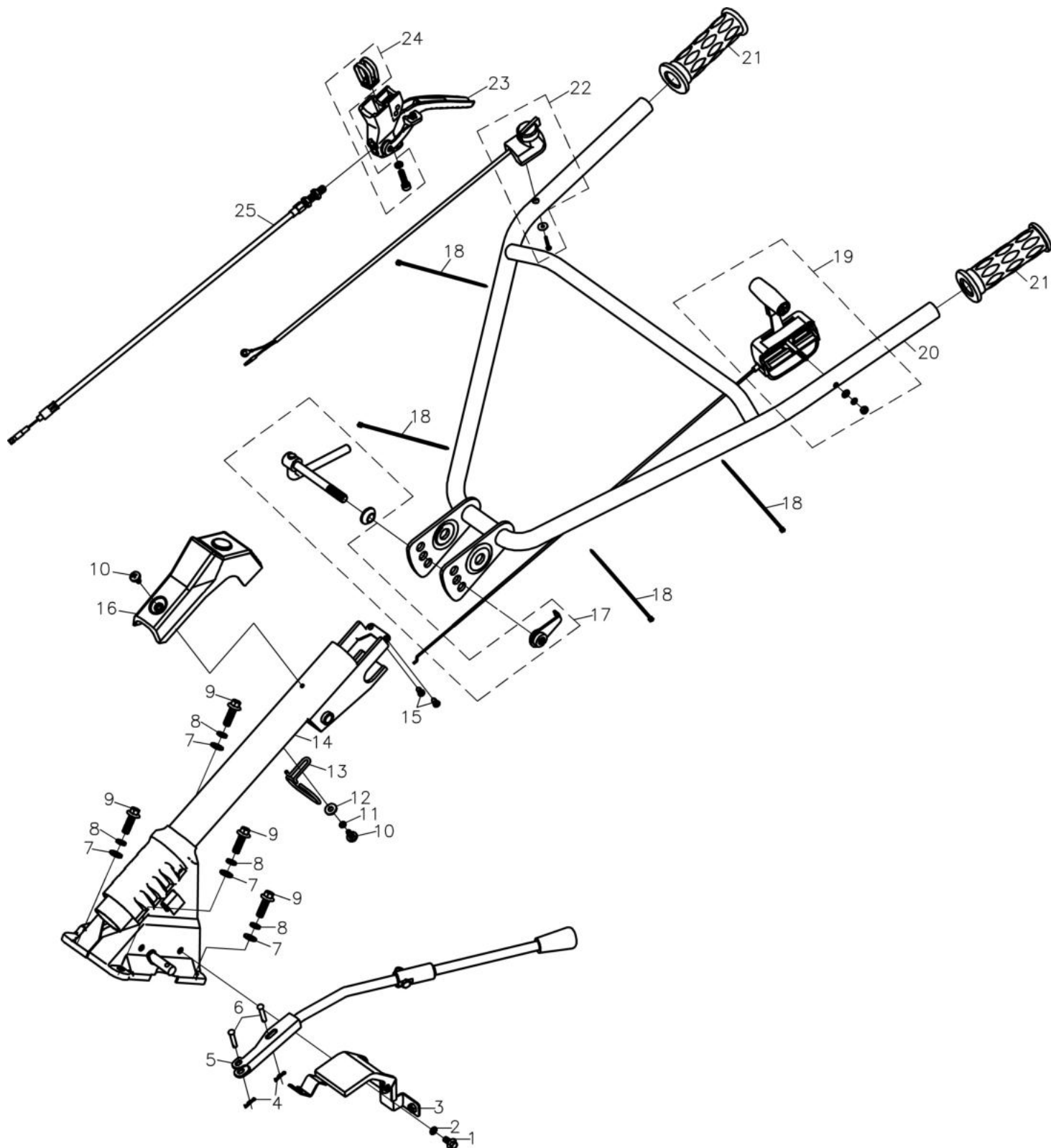
## изображение Gears (2/2)

| Ref.Nu | Qty | Part number | Description      | Validity from | Validity till | Notes                     | Bulletin |
|--------|-----|-------------|------------------|---------------|---------------|---------------------------|----------|
| 1      | 2   | L66150393   | Screw            |               |               |                           |          |
| 2      | 3   | L66150862   | Washer           |               |               |                           |          |
| 3      | 2   | L66150438   | Washer           |               |               |                           |          |
| 4      | 1   | L66150920   | Washer           |               |               |                           |          |
| 5      | 1   | L66150921   | Plate            |               |               |                           |          |
| 6      | 1   | L66150464   | Screw            |               |               |                           |          |
| 7      | 1   | L66150922   | Washer           |               |               |                           |          |
| 8      | 1   | L66150923   | Plate            |               |               |                           |          |
| 9      | 6   | L66150924   | Bolt             |               |               |                           |          |
| 10     | 6   | L66150893   | Bearing          |               |               |                           |          |
| 11     | 6   | L66150894   | Washer           |               |               |                           |          |
| 12     | 1   | L66150925   | Bracket          |               |               |                           |          |
| 13     | 1   | L66150926   | Jockey roll leve |               |               |                           |          |
| 14     | 1   | L66150927   | Spring           |               |               |                           |          |
| 15     | 1   | L66150928   | Spring           |               |               |                           |          |
| 16     | 1   | L66150929   | Bracket          |               |               | Guida cinghia; Guide belt |          |
| 17     | 1   | L66150930   | Bracket          |               |               | Guida cinghia; Guide belt |          |
| 18     | 1   | L66150931   | Plate            |               |               |                           |          |



## изображение Hood

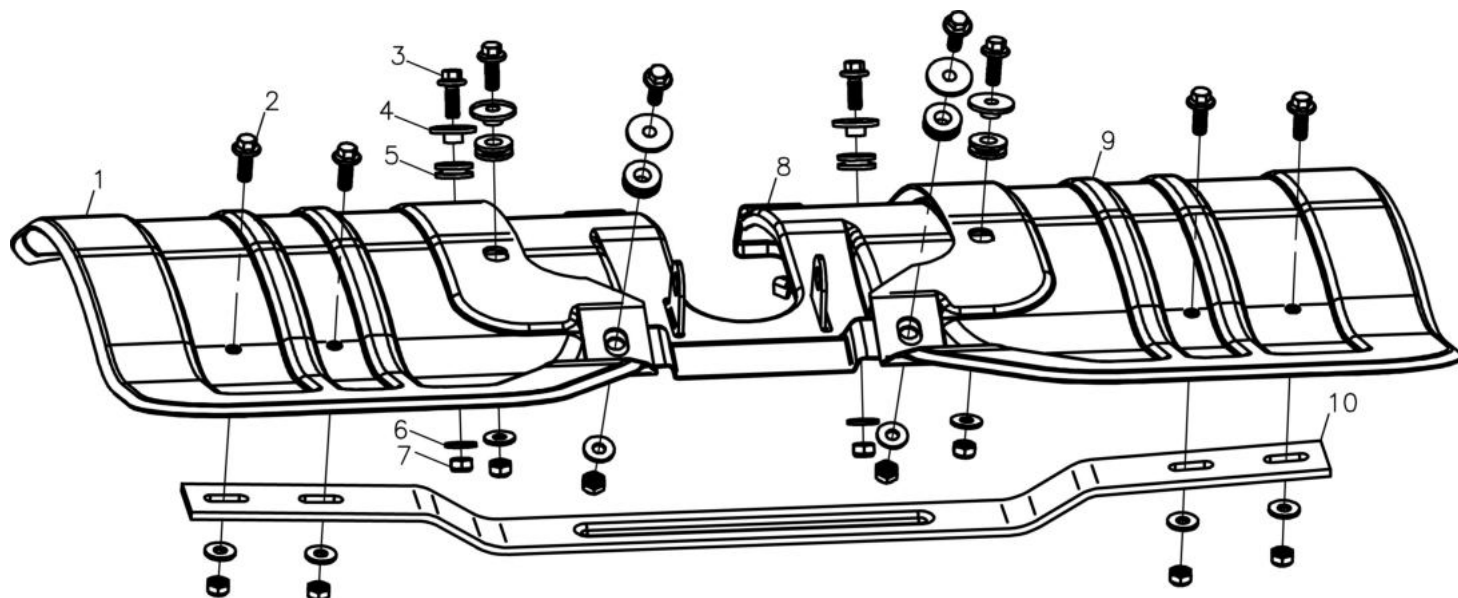
| Ref.Nu | Qty | Part number | Description       | Validity from | Validity till | Notes                    | Bulletin |
|--------|-----|-------------|-------------------|---------------|---------------|--------------------------|----------|
| 1      | 2   | L66150464   | Screw             |               |               |                          |          |
| 2      | 2   | L66150862   | Washer            |               |               |                          |          |
| 3      | 2   | L66150438   | Washer            |               |               |                          |          |
| 4      | 1   | 68580003R   | Cover             |               |               | Copricinghia; Belt cover |          |
| 5      | 1   | L66150932   | Belt              |               |               |                          |          |
| 6      | 1   | L66150899   | Bolt              |               |               |                          |          |
| 7      | 2   | L66150893   | Bearing           |               |               |                          |          |
| 8      | 1   | L66150933   | Driving wheel kit |               |               |                          |          |
| 9      | 1   | L66150892   | Bolt              |               |               |                          |          |
| 10     | 1   | L66150934   | Washer            |               |               |                          |          |
| 11     | 1   | L66150935   | Driving wheel     |               |               |                          |          |



## изображение Handlebar

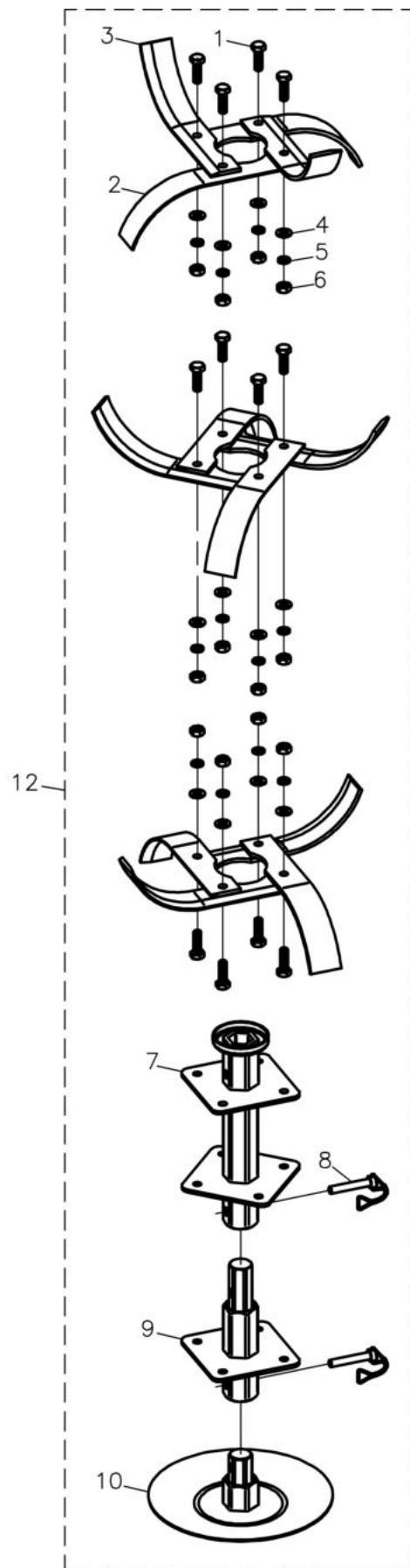
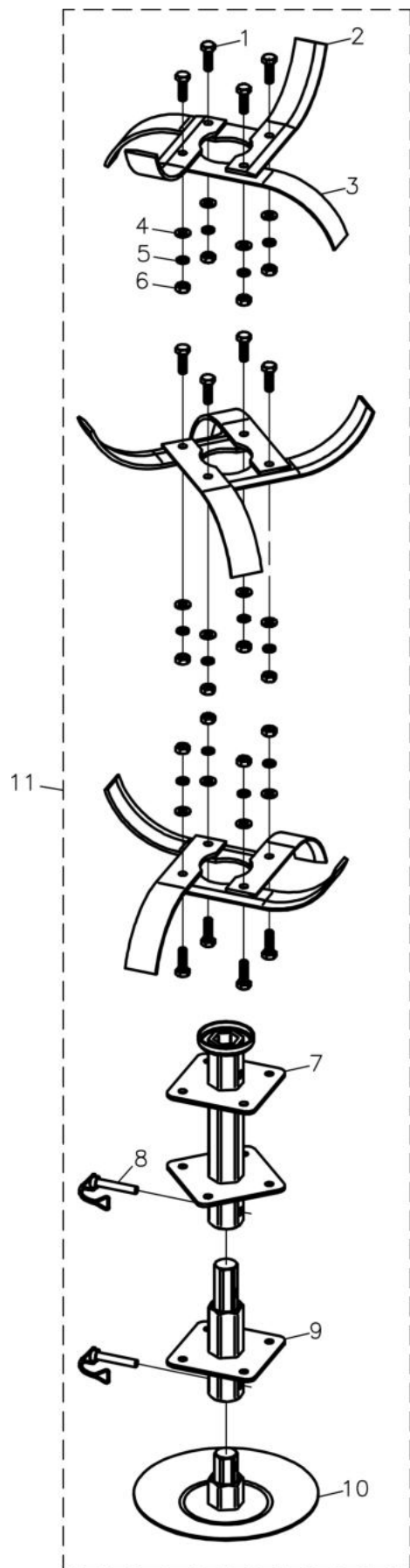
| Ref.Nu | Qty | Part number | Description     | Validity from | Validity till | Notes | Bulletin |
|--------|-----|-------------|-----------------|---------------|---------------|-------|----------|
| 1      | 1   | L66150464   | Screw           |               |               |       |          |
| 2      | 1   | L66150862   | Washer          |               |               |       |          |
| 3      | 1   | L66150936   | Bracket         |               |               |       |          |
| 4      | 2   | L66150937   | Clip            |               |               |       |          |
| 5      | 1   | L66150938   | Bracket         |               |               |       |          |
| 6      | 2   | L66150939   | Pin             |               |               |       |          |
| 7      | 4   | L66150894   | Washer          |               |               |       |          |
| 8      | 4   | L66150893   | Bearing         |               |               |       |          |
| 9      | 4   | L66150899   | Bolt            |               |               |       |          |
| 10     | 2   | L66150940   | Bolt            |               |               |       |          |
| 11     | 1   | L66150941   | Bearing         |               |               |       |          |
| 12     | 1   | L66150922   | Washer          |               |               |       |          |
| 13     | 1   | L66150942   | Clip            |               |               |       |          |
| 14     | 1   | L66150943   | Shaft joint     |               |               |       |          |
| 15     | 2   | L66150944   | Bolt            |               |               |       |          |
| 16     | 1   | L66150945   | Guard           |               |               |       |          |
| 17     | 1   | L66150946   | Lever group     |               |               |       |          |
| 18     | 4   | L66150947   | Band            |               |               |       |          |
| 19     | 1   | L66150948   | Complete handle |               |               |       |          |
| 20     | 1   | L66150949   | Handlebar       |               |               |       |          |
| 21     | 2   | L66150951   | Knob            |               |               |       |          |
| 22     | 1   | L66150952   | Switch          |               |               |       |          |
| 23     | 1   | L66150953   | Lever sx        |               |               |       |          |
| 24     | 1   | L66150954   | Band            |               |               |       |          |
| 25     | 1   | L66150955   | Cable           |               |               |       |          |





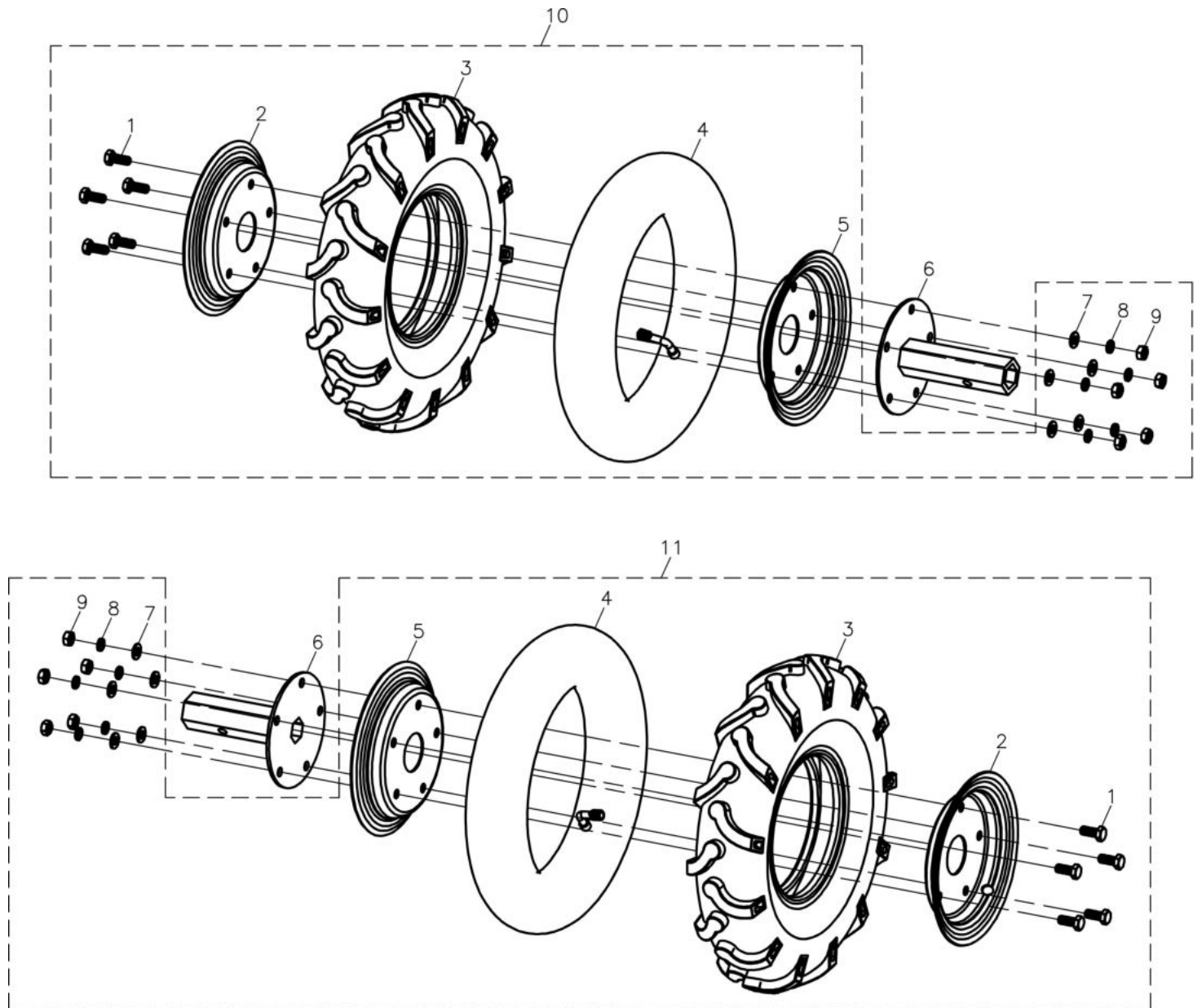
## изображение Tiller hood

| Ref.Nu | Qty | Part number | Description    | Validity from | Validity till | Notes | Bulletin |
|--------|-----|-------------|----------------|---------------|---------------|-------|----------|
| 1      | 1   | L66150966   | Hood left      |               |               |       |          |
| 2      | 4   | L66150251   | Screw          |               |               |       |          |
| 3      | 6   | L66150456   | Screw          |               |               |       |          |
| 4      | 6   | L66150967   | Bushing        |               |               |       |          |
| 5      | 6   | L66150968   | Shock absorber |               |               |       |          |
| 6      | 10  | L66150922   | Washer         |               |               |       |          |
| 7      | 10  | L66150969   | Nut            |               |               |       |          |
| 8      | 1   | L66150970   | Hood           |               |               |       |          |
| 9      | 1   | L66150971   | Hood right     |               |               |       |          |
| 10     | 1   | L66150972   | Bracket        |               |               |       |          |



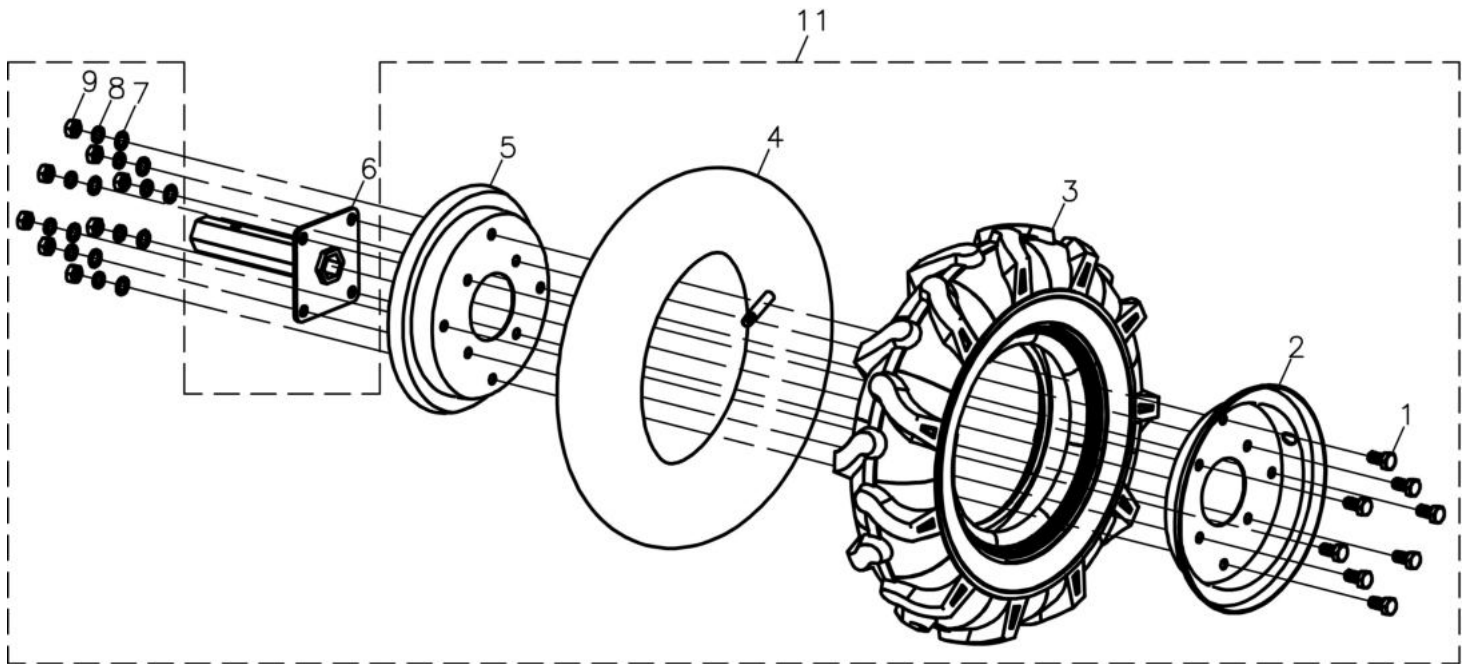
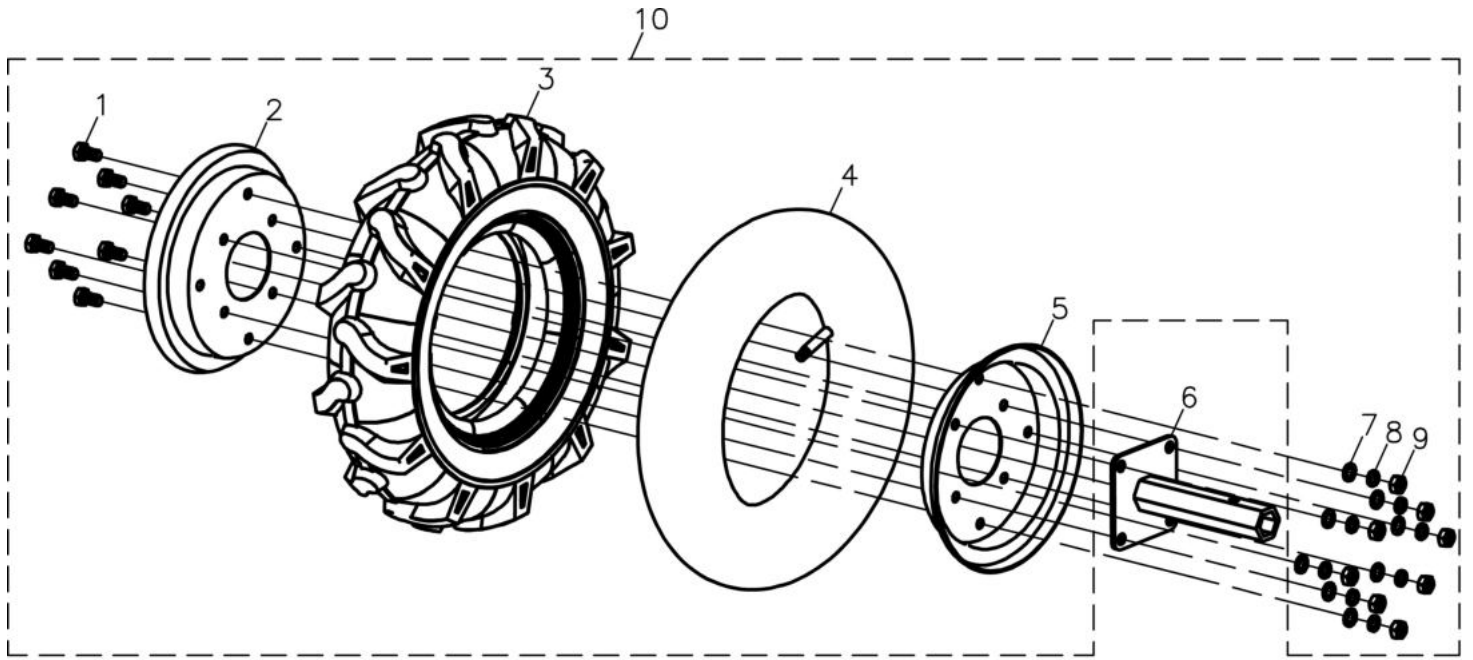
## изображение Tiller

| Ref.Nu | Qty | Part number | Description | Validity from | Validity till | Notes          | Bulletin |
|--------|-----|-------------|-------------|---------------|---------------|----------------|----------|
| 1      | 24  | L66150973   | Bolt        |               |               |                |          |
| 2      | 12  | L66150974   | Knife       |               |               | Destro; Right  |          |
| 3      | 12  | L66150975   | Knife       |               |               | Sinistro; Left |          |
| 4      | 24  | L66150894   | Washer      |               |               |                |          |
| 5      | 24  | L66150976   | Washer      |               |               |                |          |
| 6      | 24  | L66150977   | Nut         |               |               |                |          |
| 7      | 2   | L66150978   | Support     |               |               |                |          |
| 8      | 4   | L66150883   | Clip        |               |               |                |          |
| 9      | 2   | L66150979   | Support     |               |               |                |          |
| 10     | 2   | L66150980   | Disk        |               |               |                |          |
| 11     | 1   | L66150891   | Cutters kit |               |               |                |          |
| 12     | 1   | L66150882   | Cutters kit |               |               |                |          |



## изображение Wheels 12"

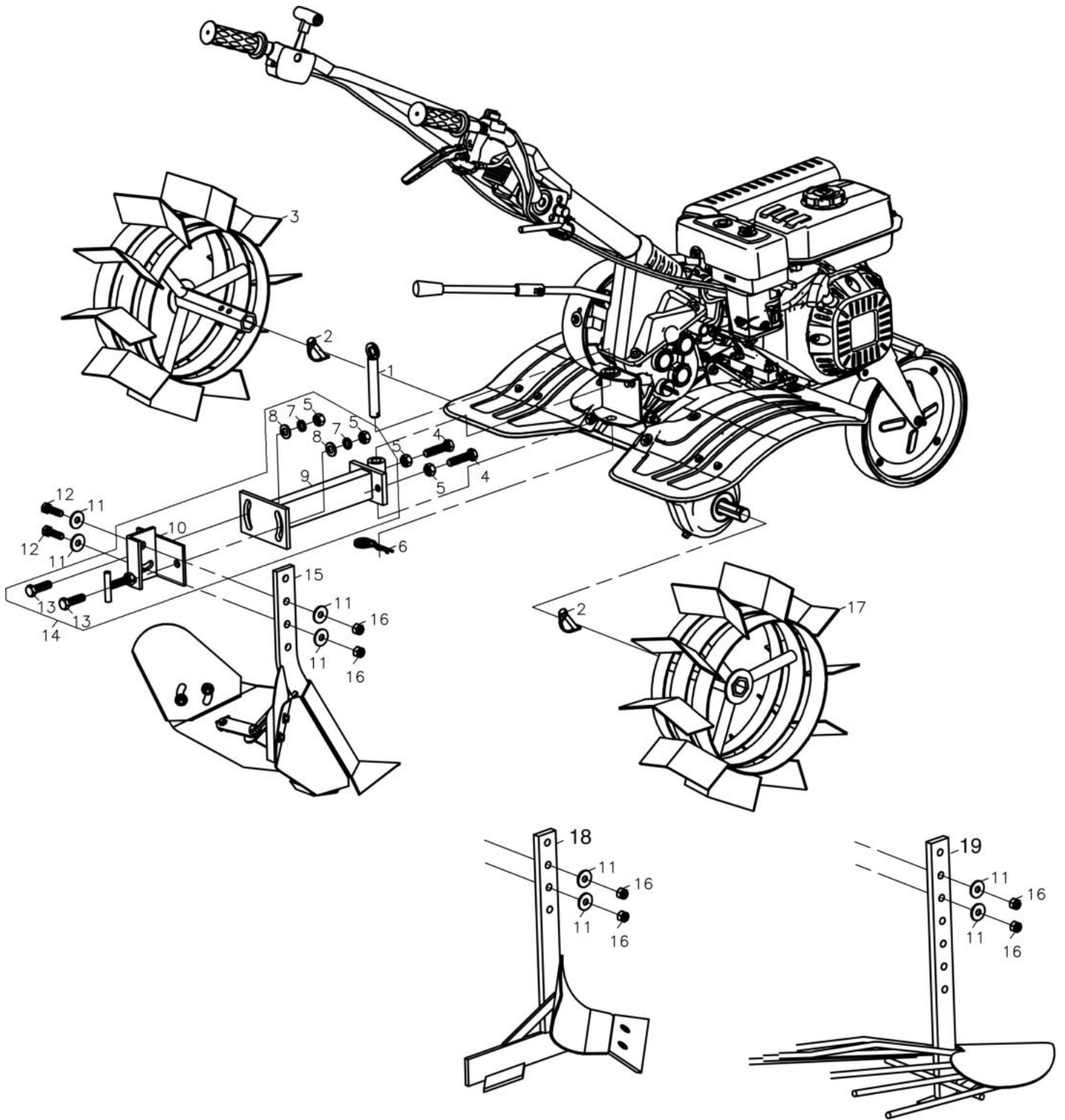
| Ref.Nu | Qty | Part number | Description | Validity from | Validity till | Notes     | Bulletin |
|--------|-----|-------------|-------------|---------------|---------------|-----------|----------|
| 1      | 10  | L66150990   | Bolt        |               |               |           |          |
| 2      | 2   | L66150991   | Rim         |               |               |           |          |
| 3      | 2   | L66150992   | Tire        |               |               |           |          |
| 4      | 2   | L66150993   | Inner tube  |               |               |           |          |
| 5      | 2   | L66150994   | Rim         |               |               |           |          |
| 6      | 2   | L66150995   | Axle        |               |               |           |          |
| 7      | 10  | L66150894   | Washer      |               |               |           |          |
| 8      | 10  | L66150976   | Washer      |               |               |           |          |
| 9      | 10  | L66150977   | Nut         |               |               |           |          |
| 10     | 1   | L66150996   | Wheel kit   |               |               | SX; Left  |          |
| 11     | 1   | L66150997   | Wheel kit   |               |               | DX; Right |          |



## изображение Wheels 16"

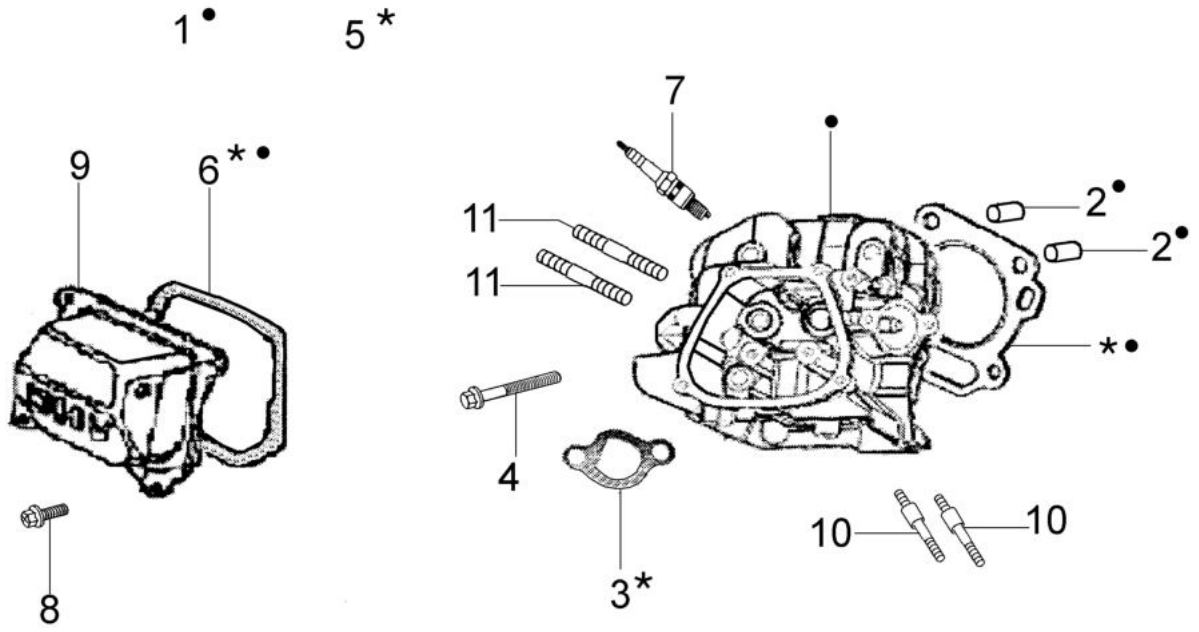
| Ref.Nu | Qty | Part number | Description | Validity from | Validity till | Notes     | Bulletin |
|--------|-----|-------------|-------------|---------------|---------------|-----------|----------|
| 1      | 16  | L66150998   | Bolt        |               |               |           |          |
| 2      | 2   | L66150999   | Rim         |               |               |           |          |
| 3      | 2   | L66151000   | Tire        |               |               |           |          |
| 4      | 2   | L66151001   | Inner tube  |               |               |           |          |
| 5      | 2   | L66151002   | Rim         |               |               |           |          |
| 6      | 2   | L66151003   | Axle        |               |               |           |          |
| 7      | 16  | L66150897   | Washer      |               |               |           |          |
| 8      | 16  | L66151004   | Washer      |               |               |           |          |
| 9      | 16  | L66151005   | Nut         |               |               |           |          |
| 10     | 1   | L66151160   | Wheel kit   |               |               | SX; Left  |          |
| 11     | 1   | L66151161   | Wheel kit   |               |               | DX; Right |          |





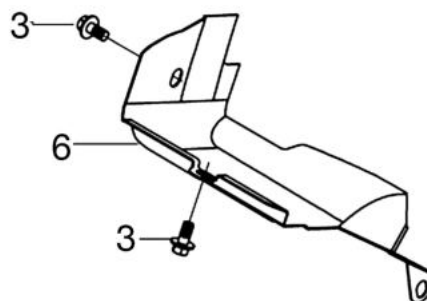
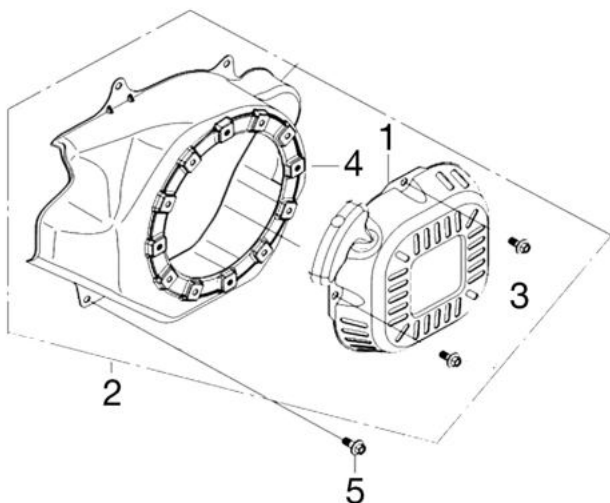
## изображение Optional

| Ref.Nu | Qty | Part number | Description                    | Validity from | Validity till | Notes            | Bulletin |
|--------|-----|-------------|--------------------------------|---------------|---------------|------------------|----------|
| 1      | 1   | L66150912   | Pin                            |               |               |                  |          |
| 2      | 2   | L66150883   | Clip                           |               |               |                  |          |
| 3      | 1   | 69209084    | Pair of wheels                 |               |               |                  |          |
| 4      | 2   | L66151007   | Bolt                           |               |               |                  |          |
| 5      | 4   | L66151008   | Nut                            |               |               |                  |          |
| 6      | 1   | L66150914   | Pin                            |               |               |                  |          |
| 7      | 2   | L66151009   | Washer                         |               |               |                  |          |
| 8      | 2   | L66151010   | Washer                         |               |               |                  |          |
| 9      | -   |             | Not available for this product |               |               | Frontale; Front  |          |
| 10     | -   |             | Not available for this product |               |               | Posteriore; Back |          |
| 11     | 4   | L66150906   | Washer                         |               |               |                  |          |
| 12     | 2   | L66151013   | Bolt                           |               |               |                  |          |
| 13     | 2   | L66151014   | Bolt                           |               |               |                  |          |
| 14     | 1   | 69209088    | Connector                      |               |               |                  |          |
| 15     | 1   | 69209081    | Plough                         |               |               |                  |          |
| 16     | 2   | L66150896   | Nut                            |               |               |                  |          |
| 17     | 1   | 69209084    | Pair of wheels                 |               |               |                  |          |
| 18     | 1   | 69209082    | Plough                         |               |               |                  |          |
| 19     | 1   | 69209083    | Potato digger                  |               |               |                  |          |



## изображение Cylinder head

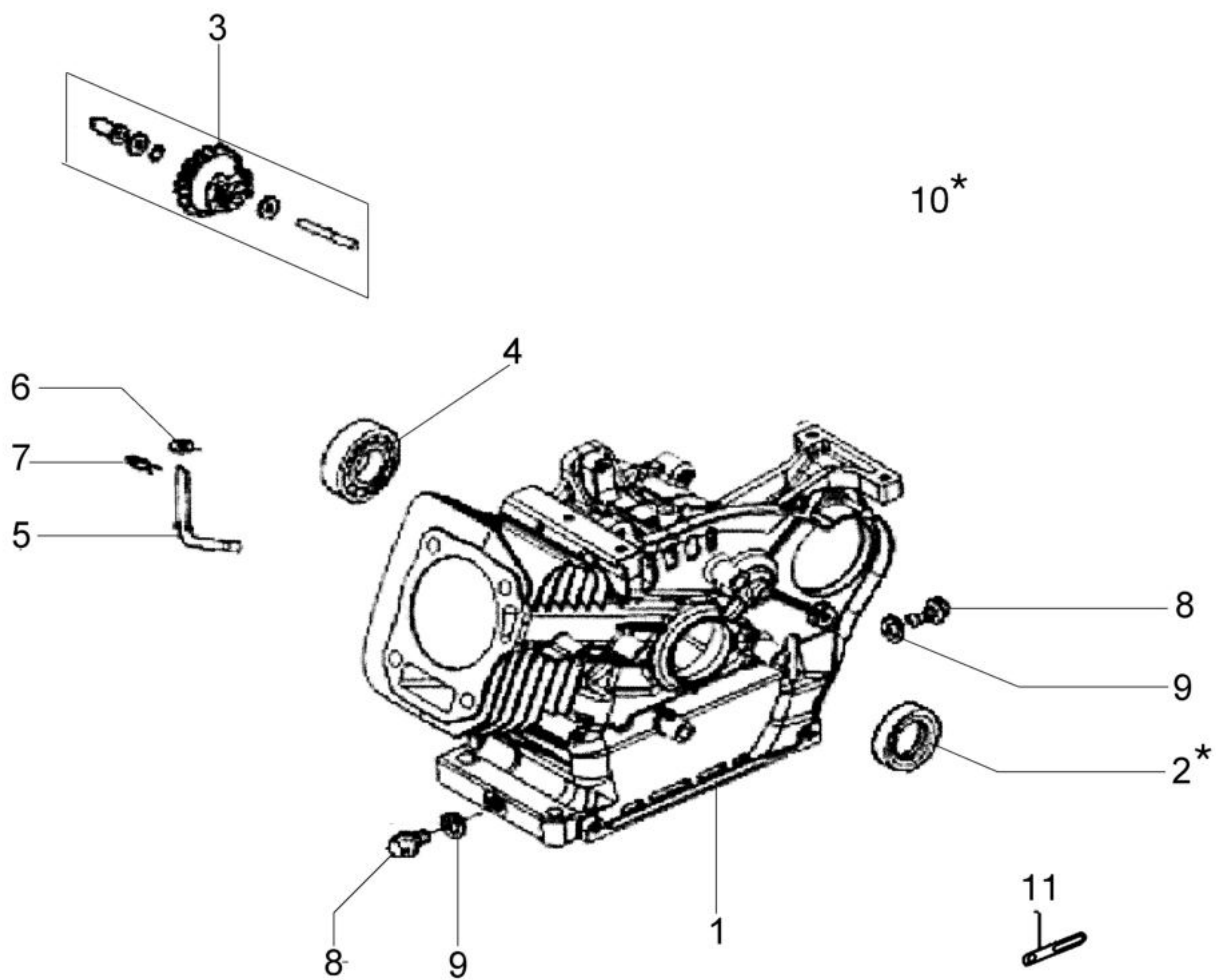
| Ref.Nu | Qty | Part number | Description        | Validity from | Validity till | Notes | Bulletin |
|--------|-----|-------------|--------------------|---------------|---------------|-------|----------|
| 1      | 1   | L66150205   | Head comp.cylinder |               |               |       |          |
| 2      | 2   | L66150350   | Plug               |               |               |       |          |
| 3      | 1   | L66150309   | Gasket             |               |               |       |          |
| 4      | 4   | L66150323   | Screw              |               |               |       |          |
| 5      | 1   | L66151888   | Gasket set         |               |               |       |          |
| 6      | 1   | L66150476   | Gasket             |               |               |       |          |
| 7      | 1   | 3055123R    | Spark plug         |               |               |       |          |
| 8      | 4   | L66150322   | Screw              |               |               |       |          |
| 9      | 1   | L66150707   | Cover              |               |               |       |          |
| 10     | 2   | L66150241   | Stud               |               |               |       |          |
| 11     | 2   | L66150324   | Stud               |               |               |       |          |



## изображение Ignition system

---

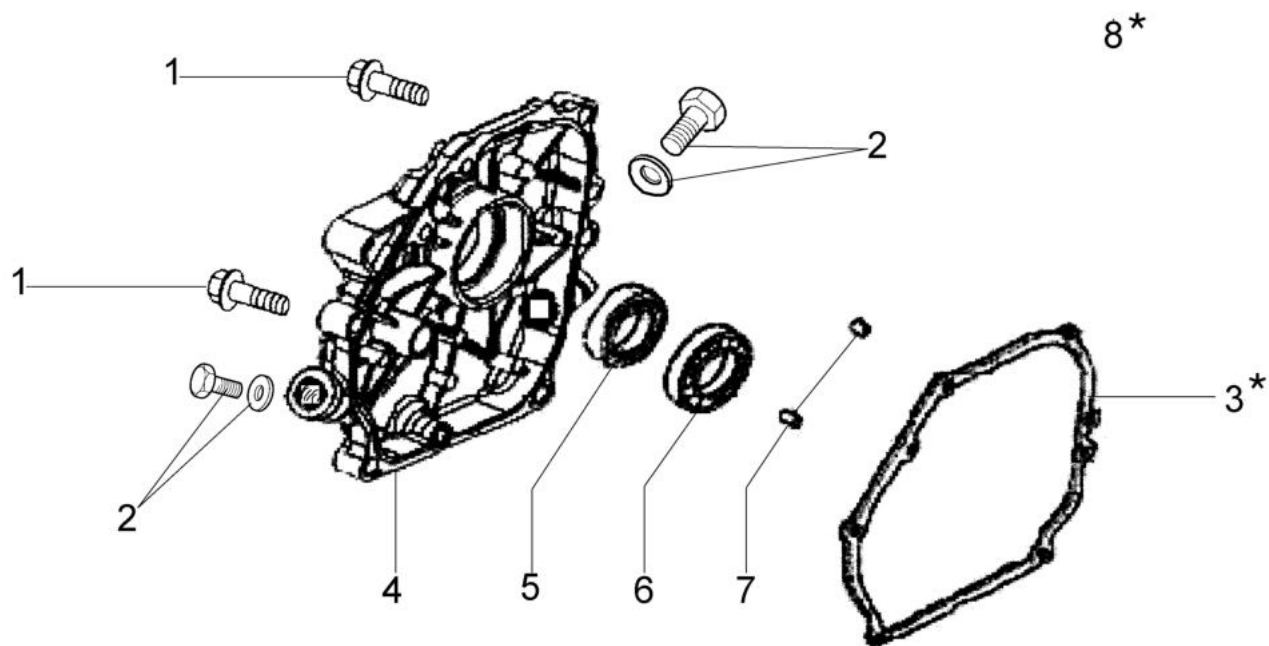
| Ref.Nu | Qty | Part number | Description  | Validity from | Validity till | Notes | Bulletin |
|--------|-----|-------------|--------------|---------------|---------------|-------|----------|
| 1      | 1   | L66150329   | Starter assy |               |               |       |          |
| 2      | 1   | L66150374   | Starter assy |               |               |       |          |
| 3      | 4   | L66150339   | Screw        |               |               |       |          |
| 4      | 1   | L66150391   | Fan cover    |               |               |       |          |
| 5      | 4   | L66150316   | Screw        |               |               |       |          |
| 6      | 1   | L66150725   | Deflector    |               |               |       |          |



## изображение Crankcase

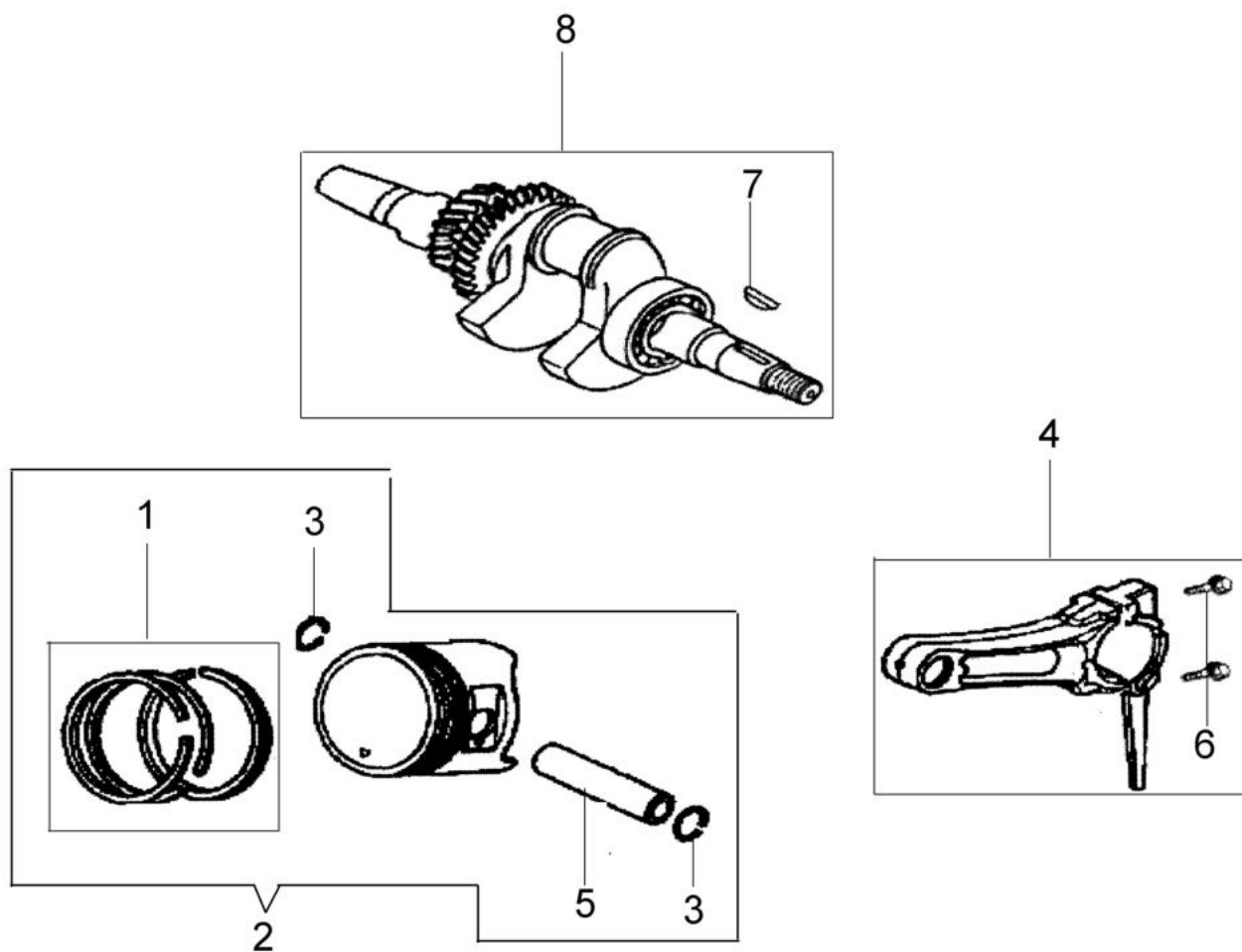
| Ref.Nu | Qty | Part number | Description            | Validity from | Validity till | Notes | Bulletin |
|--------|-----|-------------|------------------------|---------------|---------------|-------|----------|
| 1      | 1   | L66150272   | Cylinder and crankcase |               |               |       |          |
| 2      | 1   | L66150462   | Oil seal               |               |               |       |          |
| 3      | 1   | L66150304   | Governor               |               |               |       |          |
| 4      | 1   | L66150355   | Bearing                |               |               |       |          |
| 5      | 1   | L66150302   | Shaft                  |               |               |       |          |
| 6      | 1   | L66150325   | Washer                 |               |               |       |          |
| 7      | 1   | L66150353   | Plug                   |               |               |       |          |
| 8      | 2   | L66150352   | Screw                  |               |               |       |          |
| 9      | 2   | L66150354   | Washer                 |               |               |       |          |
| 10     | 1   | L66151888   | Gasket set             |               |               |       |          |
| 11     | 1   | L66150480   | Cable                  |               |               |       |          |





## изображение Crankcase cover

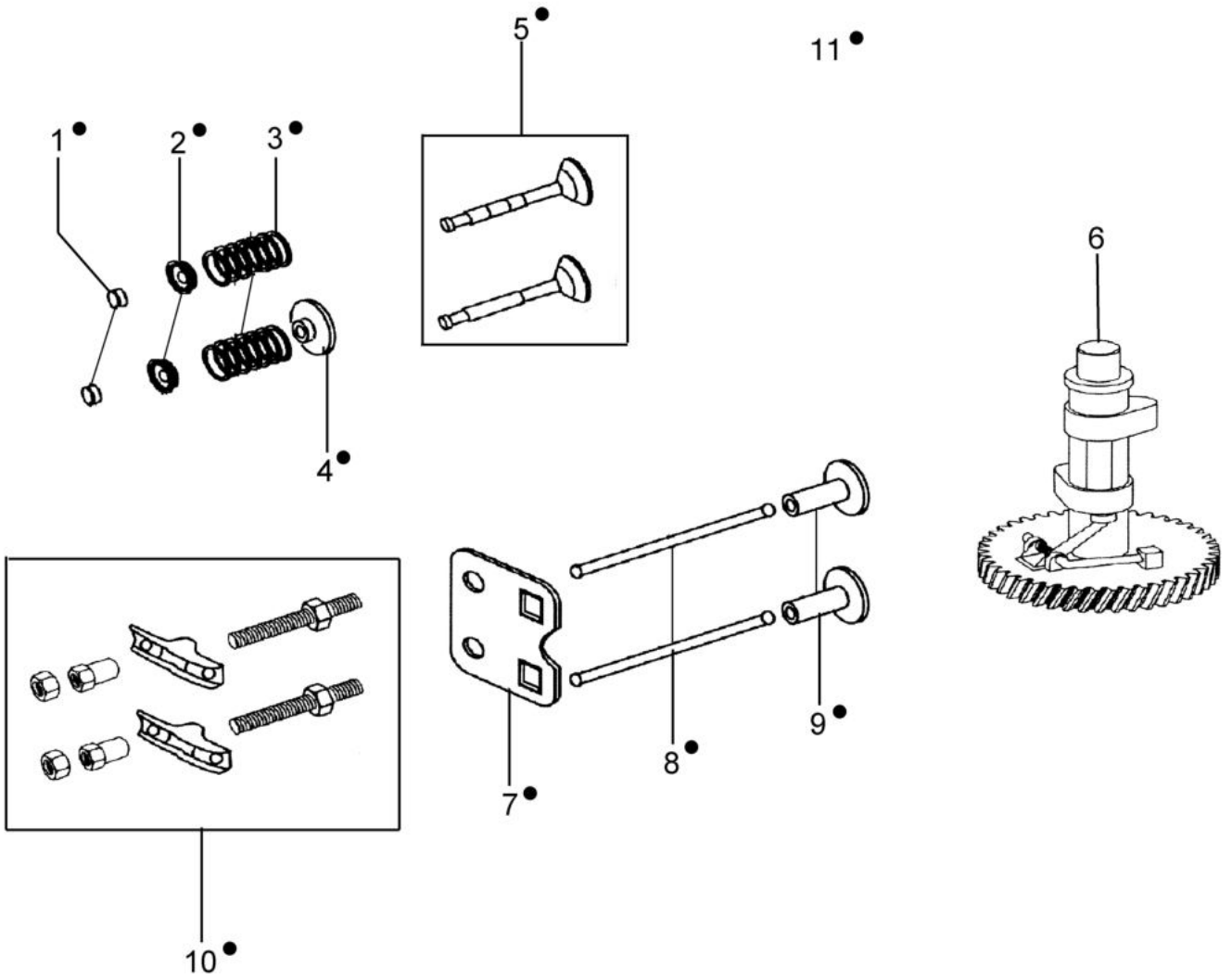
| Ref.Nu | Qty | Part number | Description     | Validity from | Validity till | Notes | Bulletin |
|--------|-----|-------------|-----------------|---------------|---------------|-------|----------|
| 1      | 7   | L66150319   | Screw           |               |               |       |          |
| 2      | 2   | L66151232   | Cap             |               |               |       |          |
| 3      | 1   | L66150274   | Gasket          |               |               |       |          |
| 4      | 1   | L66150273   | Crankcase cover |               |               |       |          |
| 5      | 1   | L66150462   | Oil seal        |               |               |       |          |
| 6      | 1   | L66150355   | Bearing         |               |               |       |          |
| 7      | 2   | L66150357   | Plug            |               |               |       |          |
| 8      | 1   | L66151888   | Gasket set      |               |               |       |          |



## изображение Crankshaft and piston

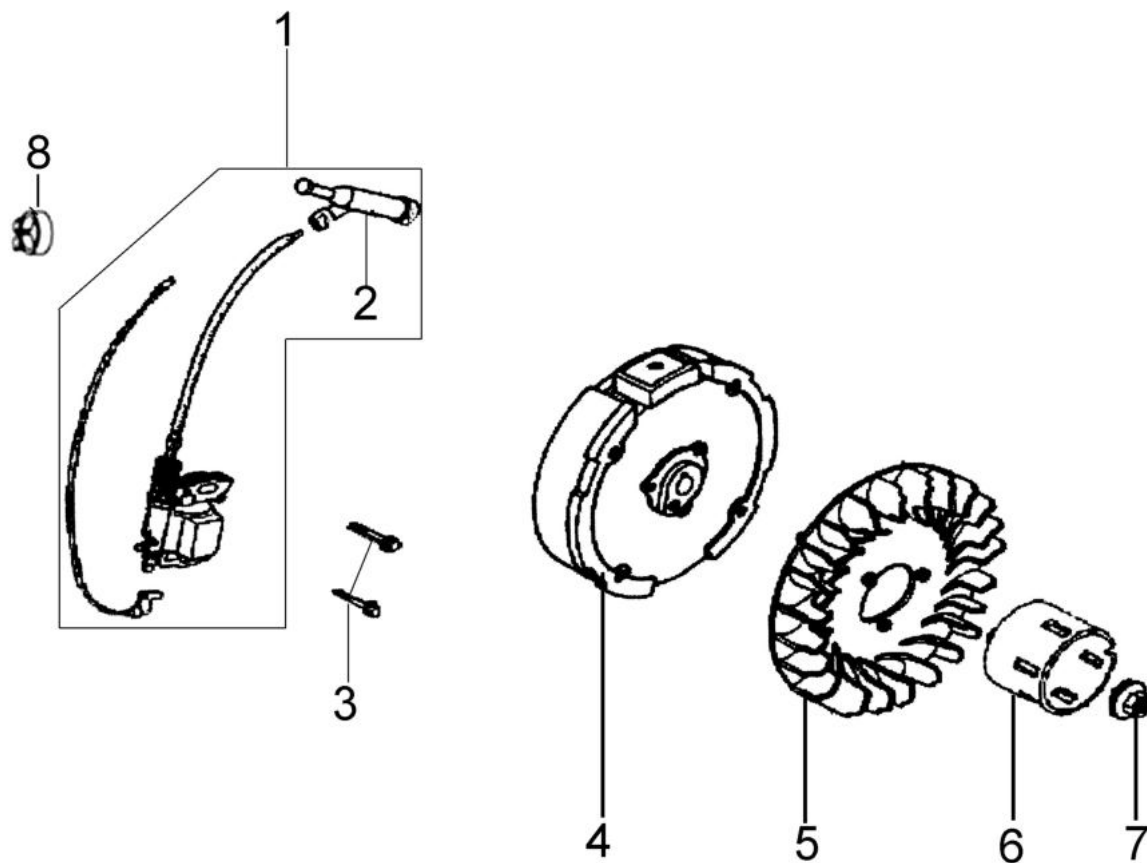
---

| Ref.Nu | Qty | Part number | Description         | Validity from | Validity till | Notes | Bulletin |
|--------|-----|-------------|---------------------|---------------|---------------|-------|----------|
| 1      | 1   | L66150280   | Piston ring set     |               |               |       |          |
| 2      | 1   | L66151166   | Piston assy         |               |               |       |          |
| 3      | 2   | L66150372   | Retainer washer     |               |               |       |          |
| 4      | 1   | L66150281   | Connecting rod cpl. |               |               |       |          |
| 5      | 1   | L66150342   | Piston pin          |               |               |       |          |
| 6      | 2   | L66150343   | Screw               |               |               |       |          |
| 7      | 1   | L66150081   | Key                 |               |               |       |          |
| 8      | 1   | L66151167   | Shaft               |               |               |       |          |



## изображение Valve and governor

| Ref.Nu | Qty | Part number | Description        | Validity from | Validity till | Notes | Bulletin |
|--------|-----|-------------|--------------------|---------------|---------------|-------|----------|
| 1      | 2   | L66150364   | Valve              |               |               |       |          |
| 2      | 2   | L66150365   | Ring               |               |               |       |          |
| 3      | 2   | L66150366   | Valves spring      |               |               |       |          |
| 4      | 1   | L66150484   | Slide              |               |               |       |          |
| 5      | 1   | L66151233   | Reed valve kit     |               |               |       |          |
| 6      | 1   | L66150363   | Complete shaft     |               |               |       |          |
| 7      | 1   | L66150287   | Plate (guide)      |               |               |       |          |
| 8      | 2   | L66150285   | Rod                |               |               |       |          |
| 9      | 2   | L66150286   | Slide              |               |               |       |          |
| 10     | 2   | L66150368   | Compensator        |               |               |       |          |
| 11     | 1   | L66150205   | Head comp.cylinder |               |               |       |          |

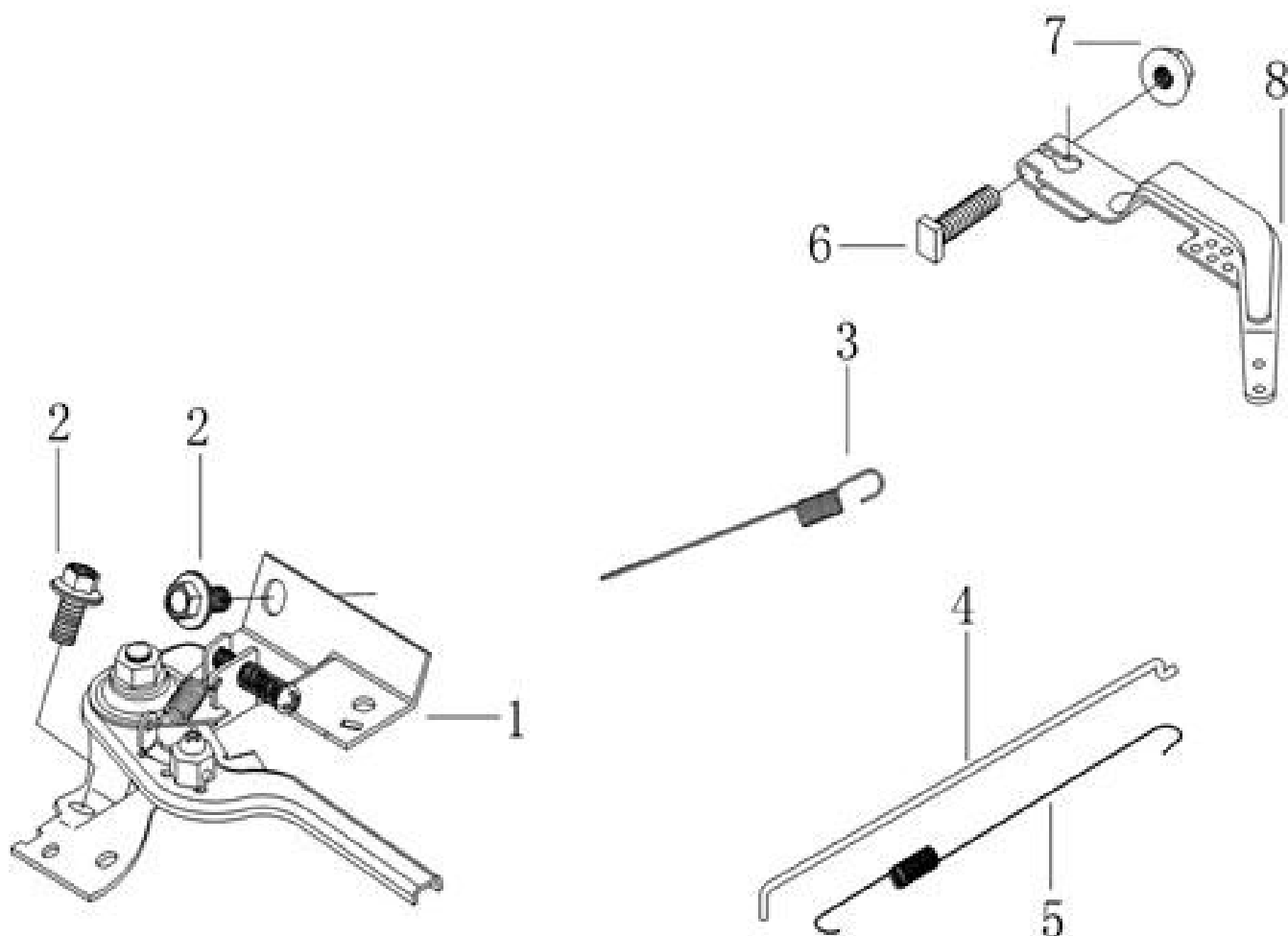


## изображение Flywheel and coil

---

| Ref.Nu | Qty | Part number | Description    | Validity from | Validity till | Notes | Bulletin |
|--------|-----|-------------|----------------|---------------|---------------|-------|----------|
| 1      | 1   | L66150314   | Ignition coil  |               |               |       |          |
| 2      | 2   | L66150371   | Spark plug cap |               |               |       |          |
| 3      | 1   | L66150321   | Screw          |               |               |       |          |
| 4      | 1   | L66150313   | Flywheel       |               |               |       |          |
| 5      | 1   | L66150288   | Fan            |               |               |       |          |
| 6      | 1   | L66150312   | Pulley         |               |               |       |          |
| 7      | 1   | L66150376   | Nut            |               |               |       |          |
| 8      | 1   | L66150440   | Clip           |               |               |       |          |

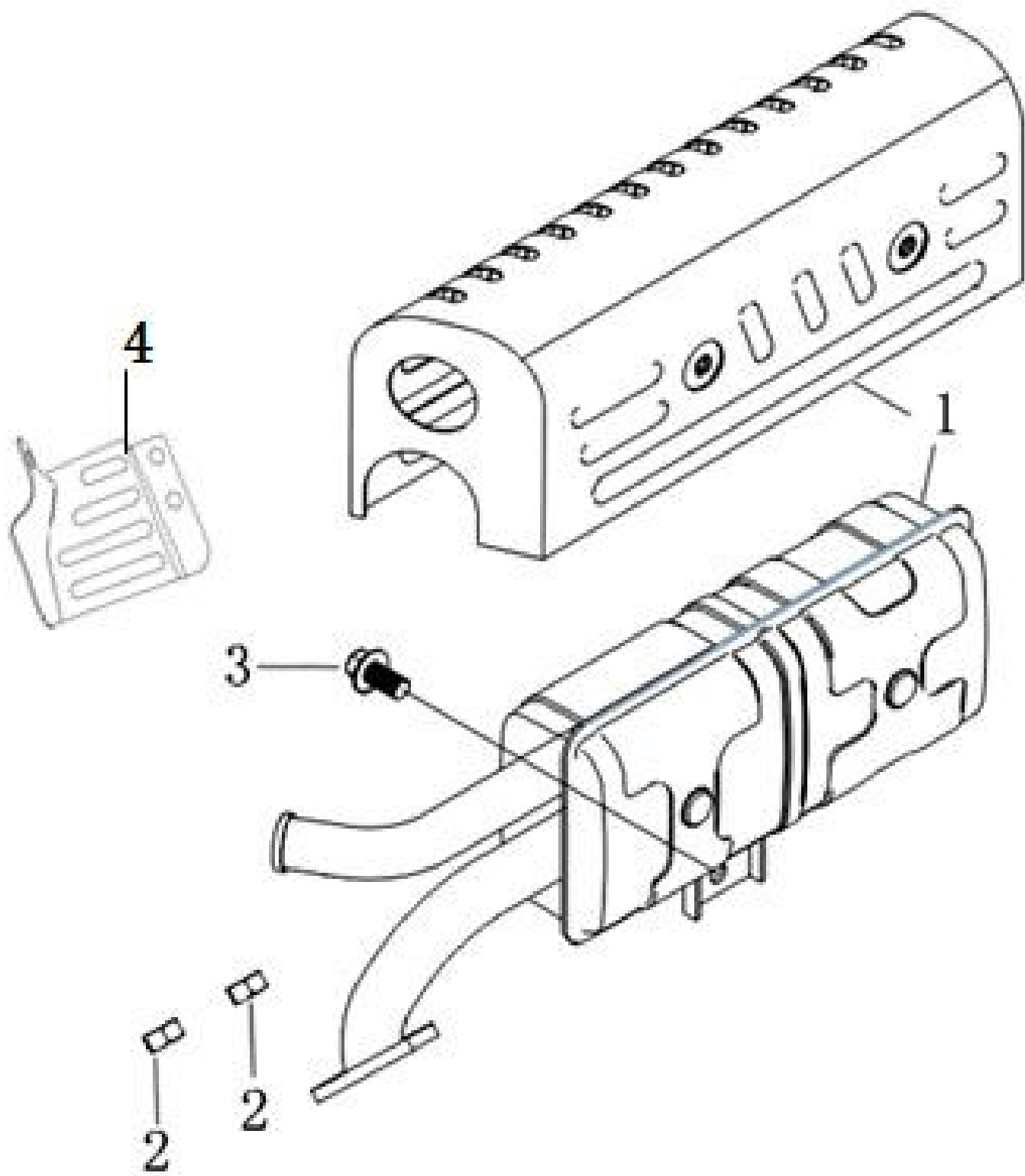




## изображение Control lever

---

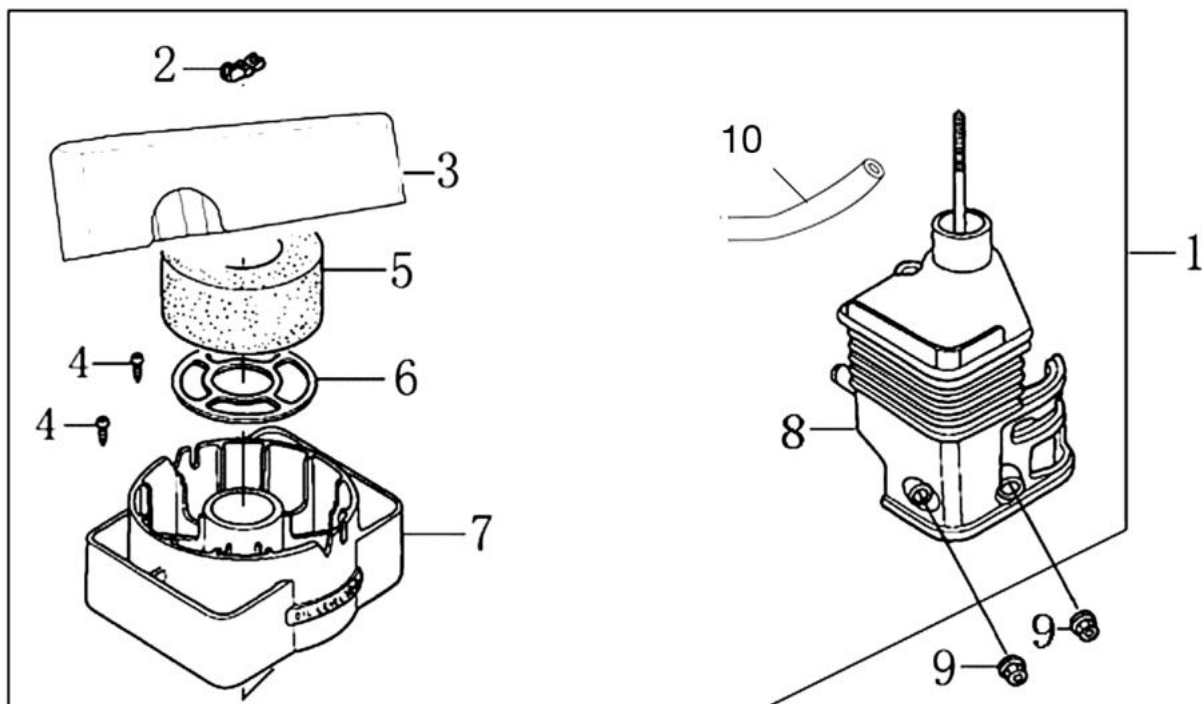
| Ref.Nu | Qty | Part number | Description    | Validity from | Validity till | Notes | Bulletin |
|--------|-----|-------------|----------------|---------------|---------------|-------|----------|
| 1      | 1   | L66151168   | Complete lever |               |               |       |          |
| 2      | 1   | L66151169   | Screw          |               |               |       |          |
| 3      | 1   | L66151253   | Spring         |               |               |       |          |
| 4      | 1   | L66150300   | Spring         |               |               |       |          |
| 5      | 1   | L66150298   | Throttle rod   |               |               |       |          |
| 6      | 1   | L66150382   | Screw          |               |               |       |          |
| 7      | 1   | 004400959R  | Nut            |               |               |       |          |
| 8      | 1   | L66150843   | Arm            |               |               |       |          |



## изображение Muffler

---

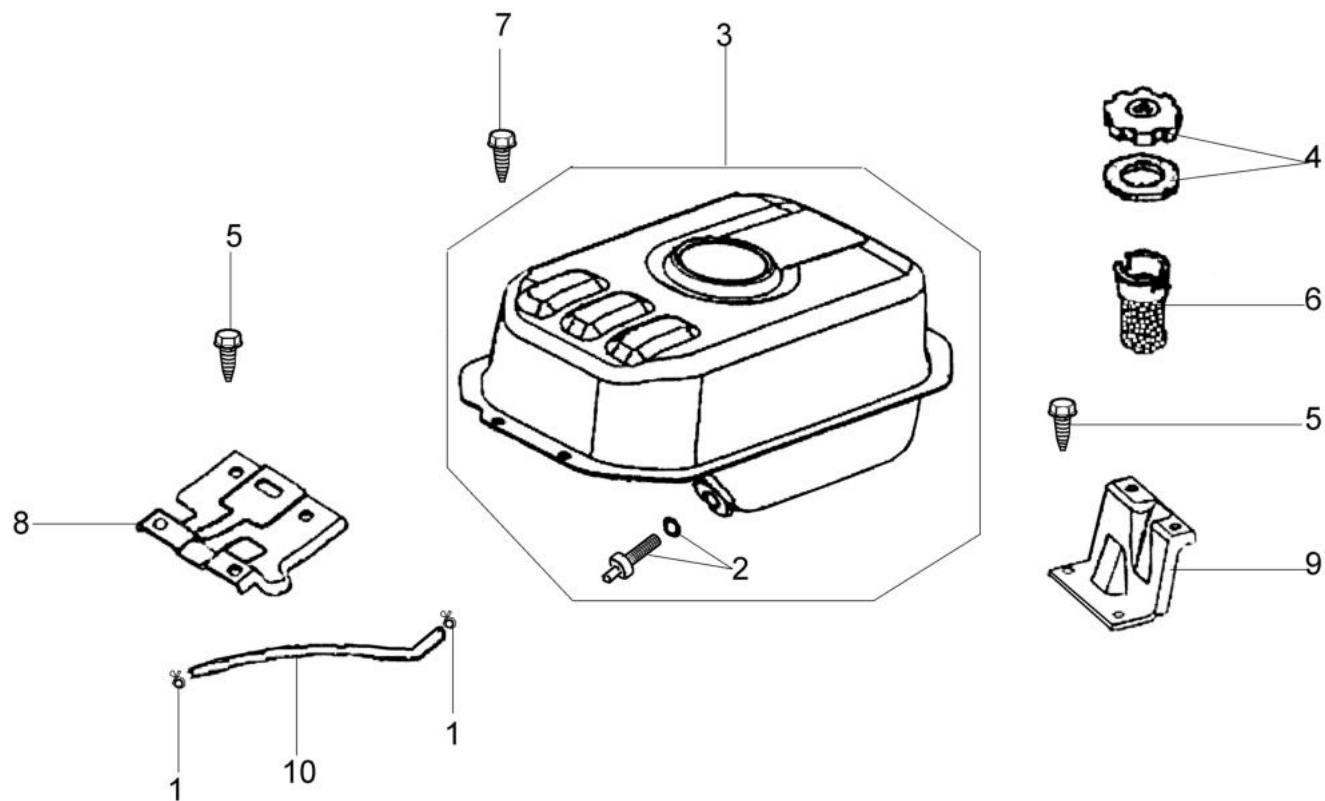
| Ref.Nu | Qty | Part number | Description | Validity from | Validity till | Notes | Bulletin |
|--------|-----|-------------|-------------|---------------|---------------|-------|----------|
| 1      | 1   | L66151170   | Muffler     |               |               |       |          |
| 2      | 2   | L66150185   | Nut         |               |               |       |          |
| 3      | 1   | L66150317   | Screw       |               |               |       |          |
| 4      | 1   | L66150310   | Guard       |               |               |       |          |



## изображение Air filter

---

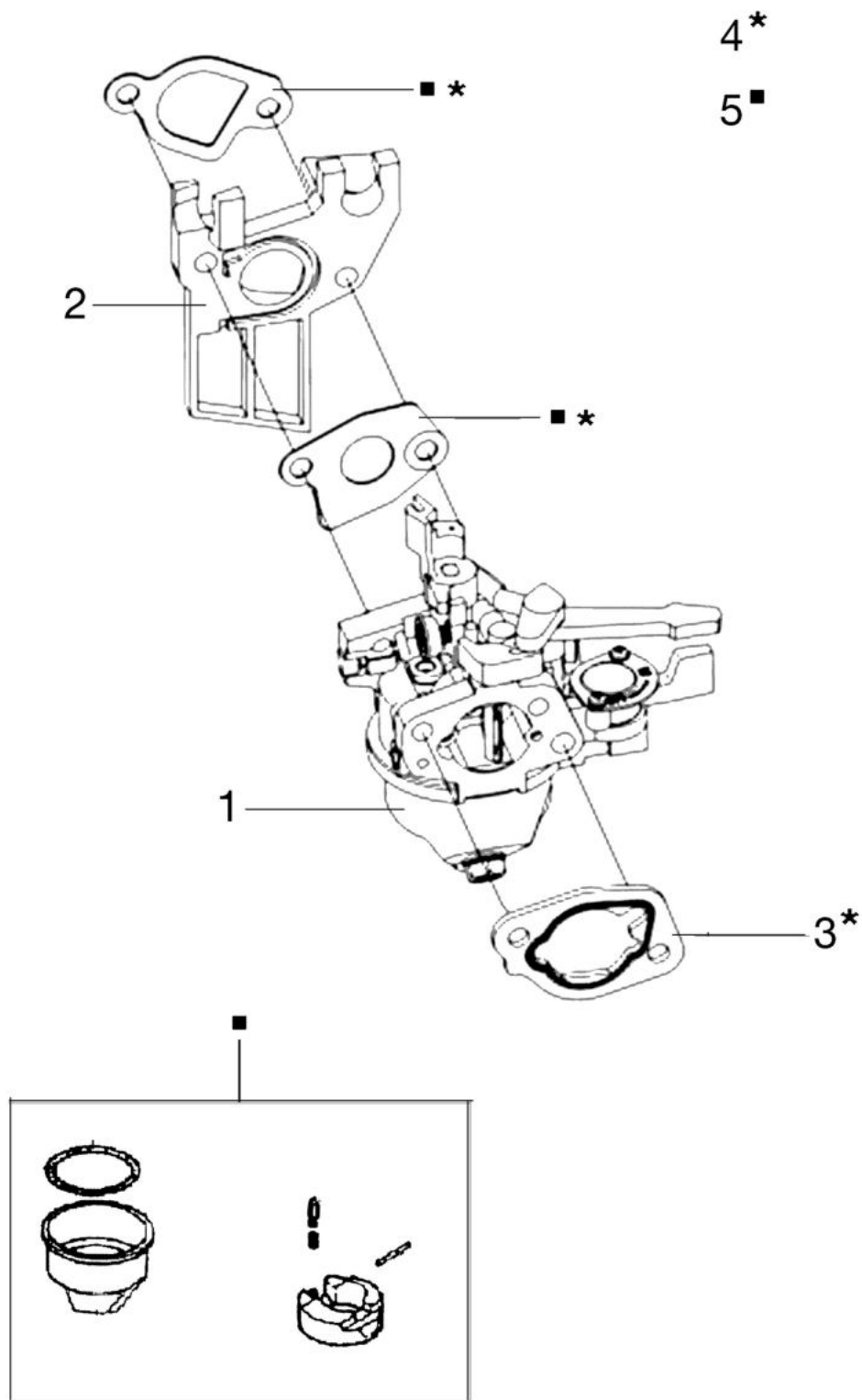
| Ref.Nu | Qty | Part number | Description    | Validity from | Validity till | Notes | Bulletin |
|--------|-----|-------------|----------------|---------------|---------------|-------|----------|
| 1      | 1   | L66150307   | Air filter kit |               |               |       |          |
| 2      | 1   | L66150384   | Nut            |               |               |       |          |
| 3      | 1   | L66150385   | Cover          |               |               |       |          |
| 4      | 2   | L66150386   | Screw          |               |               |       |          |
| 5      | 1   | L66150387   | Filter         |               |               |       |          |
| 6      | 1   | L66151177   | Grid           |               |               |       |          |
| 7      | 1   | L66150389   | Filter support |               |               |       |          |
| 8      | 1   | L66150390   | Fitting        |               |               |       |          |
| 9      | 2   | L66150185   | Nut            |               |               |       |          |
| 10     | 1   | L66150473   | Tube           |               |               |       |          |



## изображение Tank

| Ref.Nu | Qty | Part number | Description   | Validity from | Validity till | Notes | Bulletin |
|--------|-----|-------------|---------------|---------------|---------------|-------|----------|
| 1      | 1   | L66150328   | Band          |               |               |       |          |
| 2      | 1   | L66150295   | Fitting       |               |               |       |          |
| 3      | 1   | L66151235   | Complete tank |               |               |       |          |
| 4      | 1   | L66150297   | Cap           |               |               |       |          |
| 5      | 4   | L66150321   | Screw         |               |               |       |          |
| 6      | 1   | L66150296   | Fuel filter   |               |               |       |          |
| 7      | 4   | L66150316   | Screw         |               |               |       |          |
| 8      | 1   | L66150306   | Support       |               |               |       |          |
| 9      | 1   | L66150305   | Support       |               |               |       |          |
| 10     | 1   | L66150327   | Fuel line     |               |               |       |          |





## изображение Carburetor

---

| Ref.Nu | Qty | Part number | Description | Validity from | Validity till | Notes | Bulletin |
|--------|-----|-------------|-------------|---------------|---------------|-------|----------|
| 1      | 1   | L66150289A  | Carburetor  |               |               |       |          |
| 2      | 1   | L66150842   | Insulator   |               |               |       |          |
| 3      | 1   | L66150292   | Gasket      |               |               |       |          |
| 4      | 1   | L66151888   | Gasket set  |               |               |       |          |
| 5      | 1   | L66151171   | Repair kit  |               |               |       |          |