

## MH 250 R (EN709) Rotary tiller



### Документы

Transmission

---

Control box (Handle-bar)

---

Speed-change gear box

---

Handle bars and controls

---

Selector

---

Gears (Gearbox)

---

Catenary

---

Counterweight

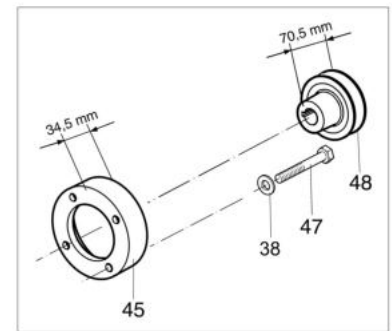
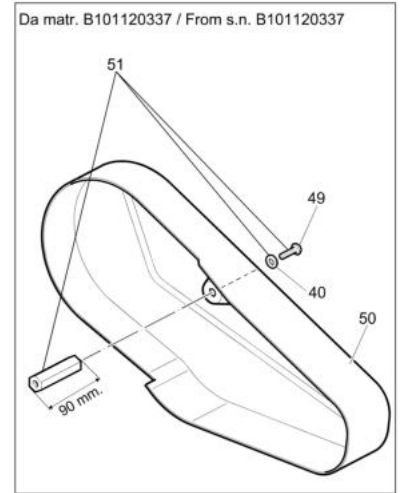
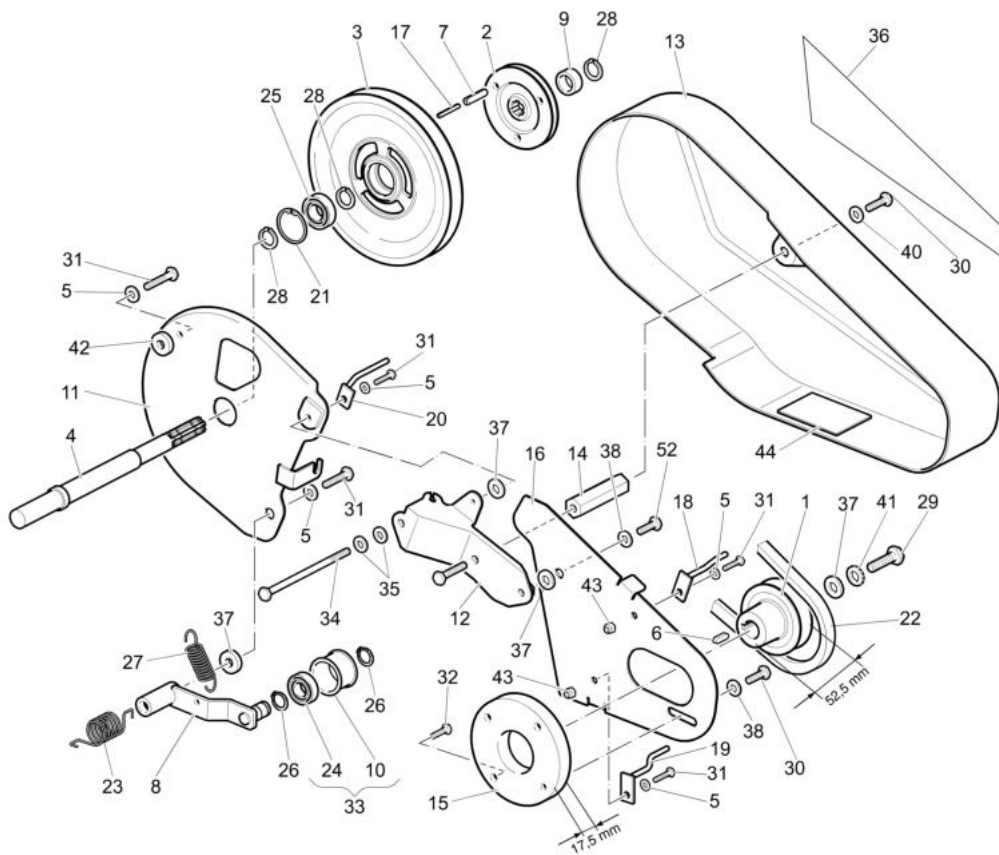
---

Spur of support

---

Tiller

---

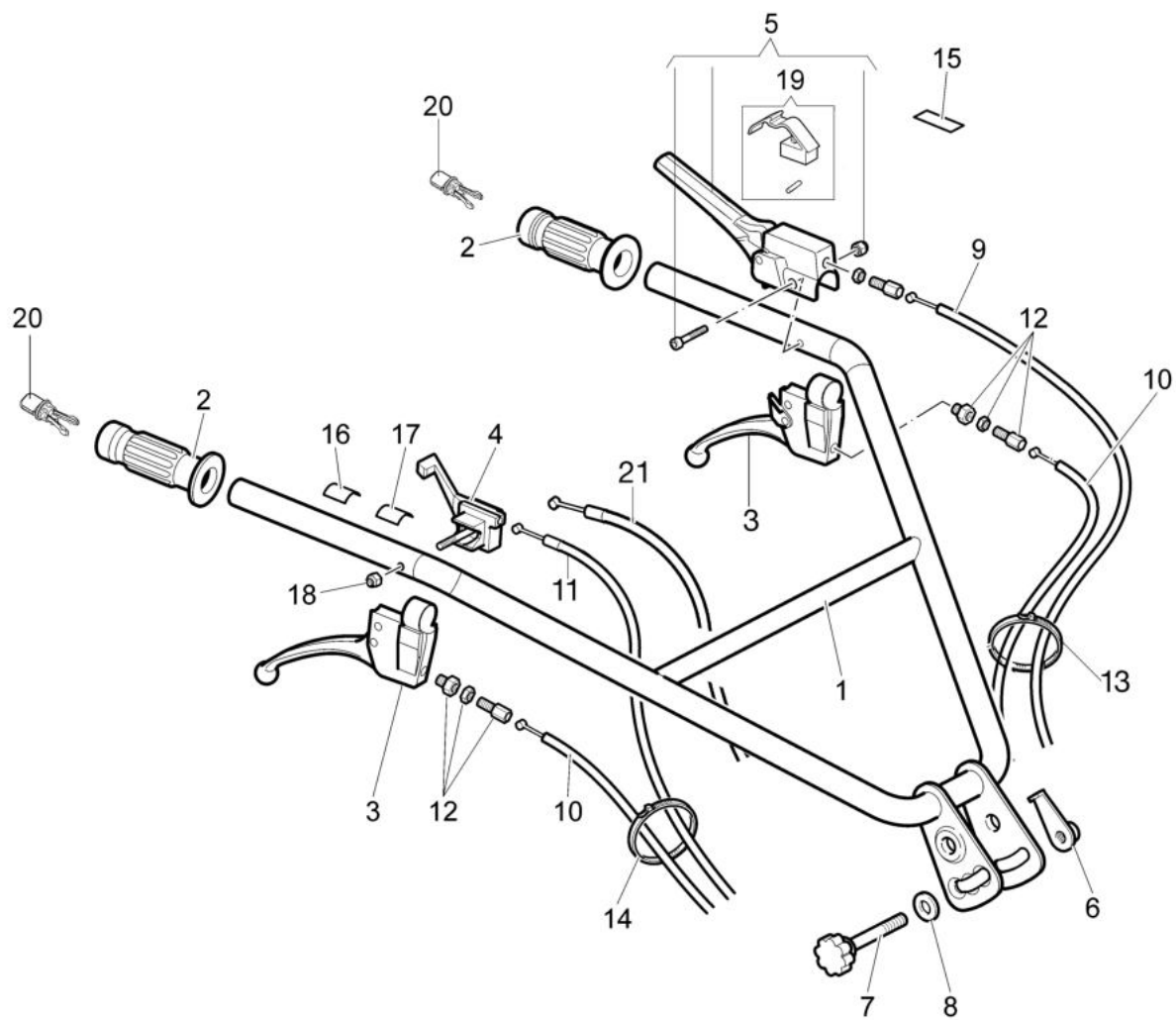


## изображение Transmission

Ref.Nu	Qty	Part number	Description	Validity from	Validity till	Notes	Bulletin
1	1	F1440827	Pulley			52,5 mm	
2	1	Y1440802	Selector				
3	1	Y1440803	Pulley				
4	1	Y1440804	Shaft				
5	4	YN4361900	Washer				
6	1	YN0643450	Key				
7	3	YN5133000	Plug				
8	1	F1440829	Lever (belt-tightener)				
9	1	F1440828	Spacer				
10	1	F1440810	Roller				
11	1	F1440811	Support				
12	1	Y1440812	Support				
13	1	68650020B	Casing (red)		SN B101120336		BT9-004-09/11
14	1	F1440814	Spacer		SN B101120336	70 mm	BT9-004-09/11
15	1	F1440815	Flange			17,5 mm	
16	1	F1440855A	Support	SN B100090068			
17	3	YN5117300	Plug				
18	1	F1440819	Upper guide				
19	1	F1440820	Lower guide				
20	1	F1440821A	Upper guide				
21	1	3025022R	Snap ring				
22	1	3047036R	Belt				
23	1	F1440833	Spring				
24	1	YN1256500	Bearing				
25	1	YN1258020	Bearing				
26	2	3024015R	Ring				
27	1	68240165AR	Tie rod assy				
28	3	YN0112700	Snap ring				
29	1	YN6243980	Screw				
30	1	3806063R	Screw		SN B101120336		BT9-004-09/11
31	3	3906045R	Screw				
32	3	YN6243950	Screw				
33	1	F1440817	Roller (complete)				
34	1	YN6364510	Screw				
35	2	3916010R	Washer				
36		--	Not available				
37	3	YN4371150	Washer				
38	4	3916009R	Washer				
40	2	3918013R	Washer				
41	1	3819013R	Grower				
42	1	3916006R	Washer				
43	3	3914006R	Nut				
44	1	F1440858A	Tire				
45	1	68650010	Flange	SN B100090068		34,5 mm; Per motori GX160, GX200; For GX160, GX200 engines	

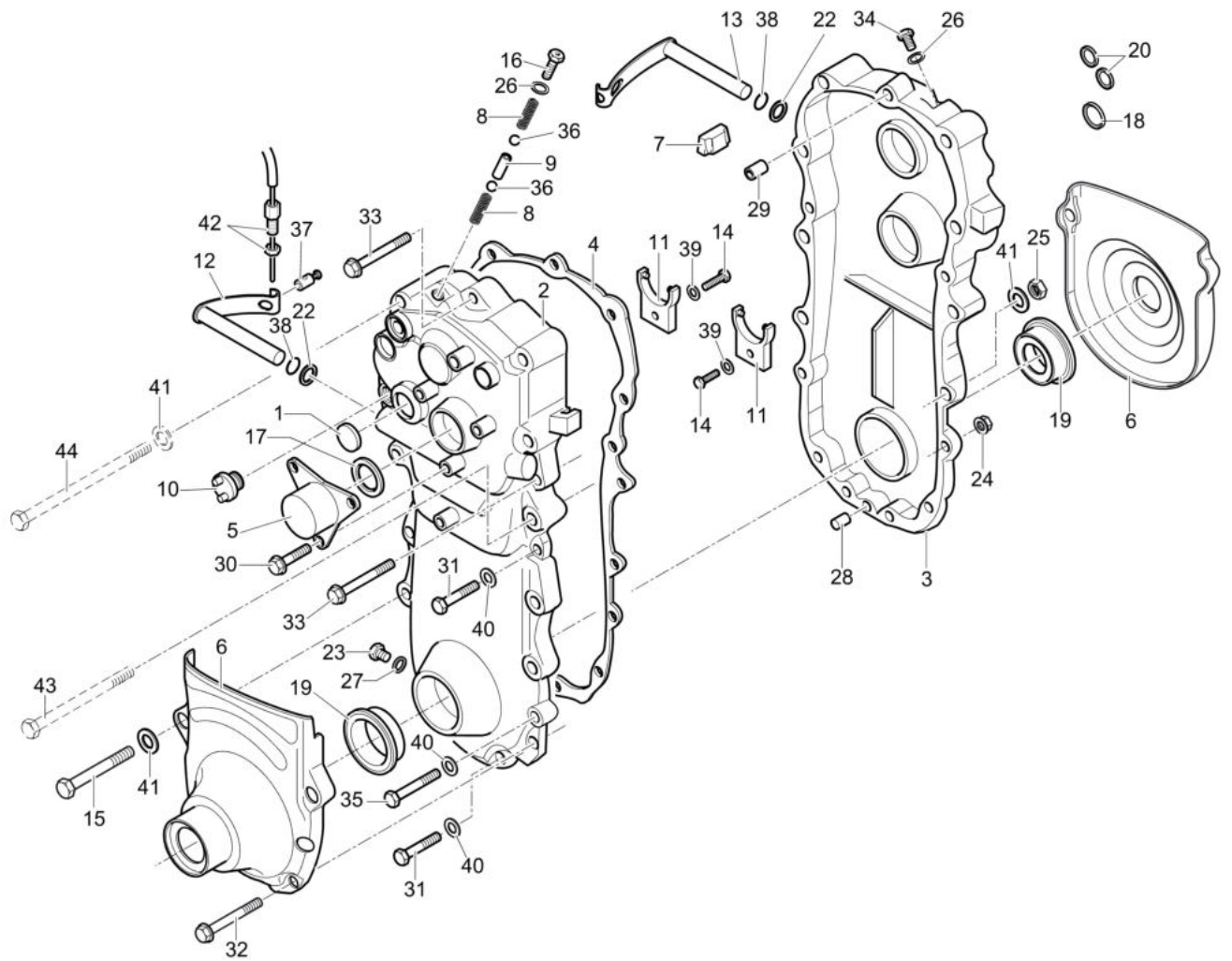
## изображение Transmission

Ref.Nu	Qty	Part number	Description	Validity from	Validity till	Notes	Bulletin
47	1	3906165R	Screw	SN B100090068		Per motori GX160, GX200;	
48	1	68650012	Pulley	SN B100090068		For GX160, GX200 engines 70,5 mm; Per motori	
49	1	YN6255100	Screw	SN B101120337			BT9-004-09/11
50	1	68650020B	Casing (red)	SN B101120337			BT9-004-09/11
51	1	68652004	Set spacer	SN B101120337			BT9-004-09/11
52	1	3933034AR	Screw				



## изображение Control box (Handle-bar)

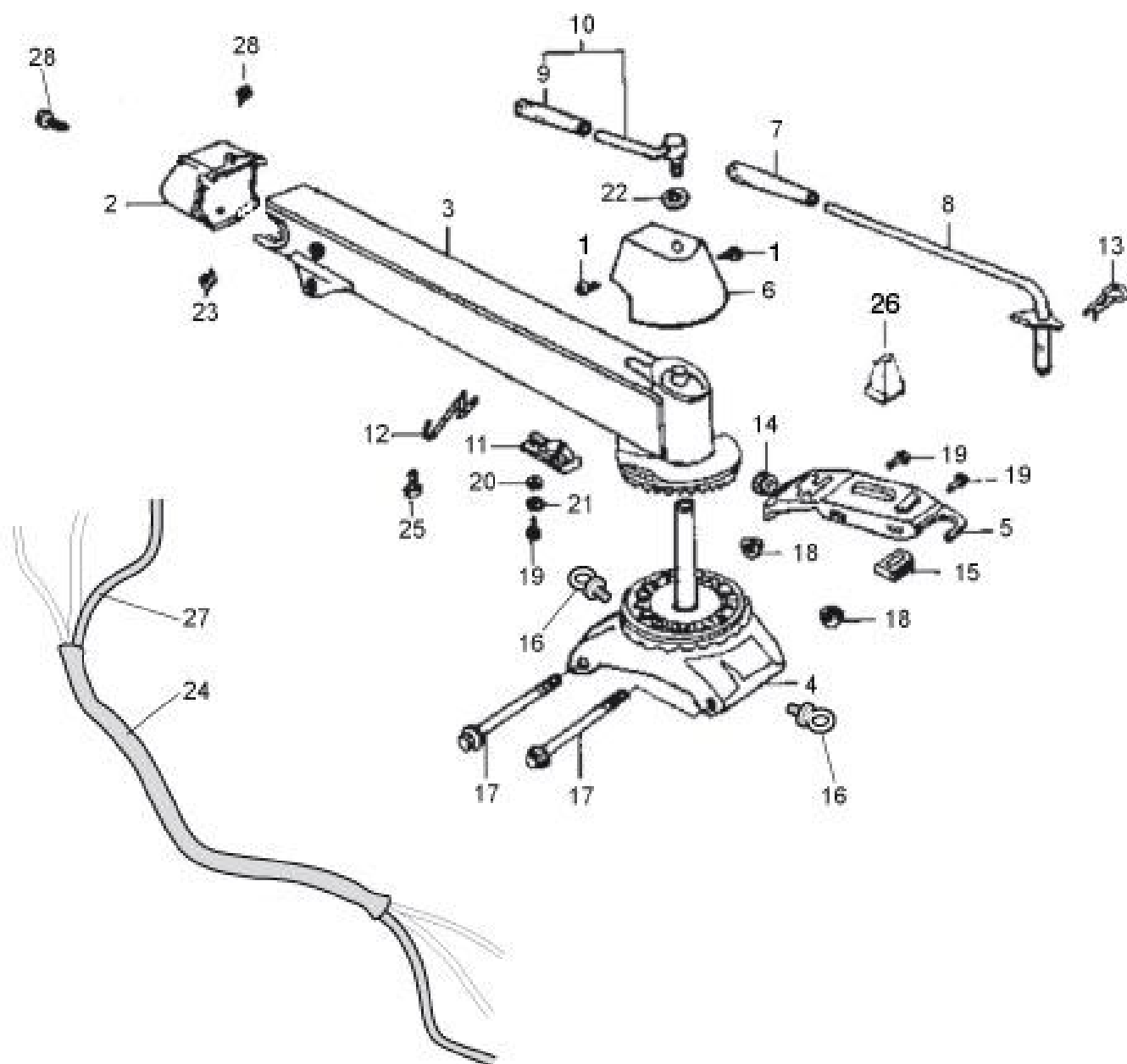
Ref.Nu	Qty	Part number	Description	Validity from	Validity till	Notes	Bulletin
1	1	Y1440824	Handlebar				
2	2	68650067	Handle start	02/2011		EN 709	BT9-005-04/12
2	2	YN2843300	Knob		01/2011		BT9-005-04/12
3	2	YN2811750	Complete lever				
4	1	YN2803660	Fuel control				
5	1	68650066	Complete lever (belt-tightener)	02/2011		Con blocco di sicurezza; With safety block EN 709	BT9-005-04/12
6	1	F1445002	Plate (locking)				
7	1	F1445003	Knob (locking)				
8	1	Y1445004	Washer				
9	1	Y1440825	Bowden cable (belt-tightener)				
10	2	YN5488040	Bowden cable (unlock)				
11	1	YN5462710	Bowden cable (accelerator)				
12	5	YN5801000	Adjuster assy				
13	1	YN1762150	Band				
14	3	YN1764000	Band				
15	3	YN5380660	Plate (Clutch)				
16	1	YN5380870	Plate (Instruction)				
17	1	YN5380805	Mark (Accelerator)				
18	1	034000013R	Nut				
19	1	68240053R	Hook + Pin	02/2011		EN 709	BT9-005-04/12
20	2	68650068	Extension	02/2011		EN 709	BT9-005-04/12
21	1	YF1321623	Cable				



## изображение Speed-change gear box

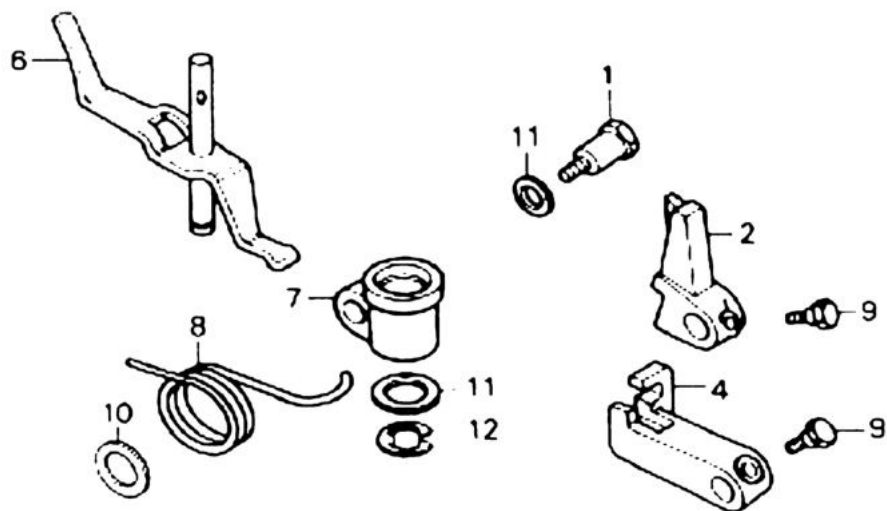
Ref.Nu	Qty	Part number	Description	Validity from	Validity till	Notes	Bulletin
1	1	YF1375001	Cap				
2	1	YF1375002	Speed-change gear box			3+1; DX; RIGHT	
3	1	YF1375003	Speed-change gear box			3+1; SX; LEFT	
4	1	YF1375004	Gasket				
5	1	YF1375005	Cover				
6	2	YF1375006	Guard				
7	1	YF1375007	Retainer (unlock)				
8	2	YF1375008	Spring				
9	1	YF1375009	Plug				
10	1	YF1375010	Close nipple				
11	2	YF1375011	Selector fork				
12	1	YF1375012	Lever (unlock) dx			DX; RIGHT	
13	1	YF1375013	Lever (unlock) sx			SX; LEFT	
14	2	3906045R	Screw				
15	2	3906130	Screw				
16	1	68720100	Screw				
17	1	YF1375014	Seal ring				
18	1	YF1375015	Seal ring				
19	2	YF1375016	Ring				
20	2	YF1375017	Seal ring				
22	2	YF1375019	O-ring				
23	1	YF1375020	Screw				
24	1	034000013R	Nut				
25	1	3912012R	Nut				
26	1	3916008R	Washer				
27	1	N4386600	Washer				
28	1	YF1375021	Bushing				
29	1	YF1375022	Bushing				
30	3	3806035R	Screw				
31	4	3806038R	Screw				
32	2	3906046	Screw				
33	3	3906055	Screw				
34	1	3806063R	Screw				
35	2	3806049	Screw				
36	2	YN4742100	Ball				
37	2	YN5901050	Clamp				
38	1	3049039R	O-ring				
39	2	3833076R	Washer				
40	6	3057012	Washer				
41	4	YN4377500	Washer				
42	2	YN5801000	Adjuster assy				
43		#	See ref. 11 IPL Spur of support				
44		#.	See ref. 17 IPL Handle bars and controls				





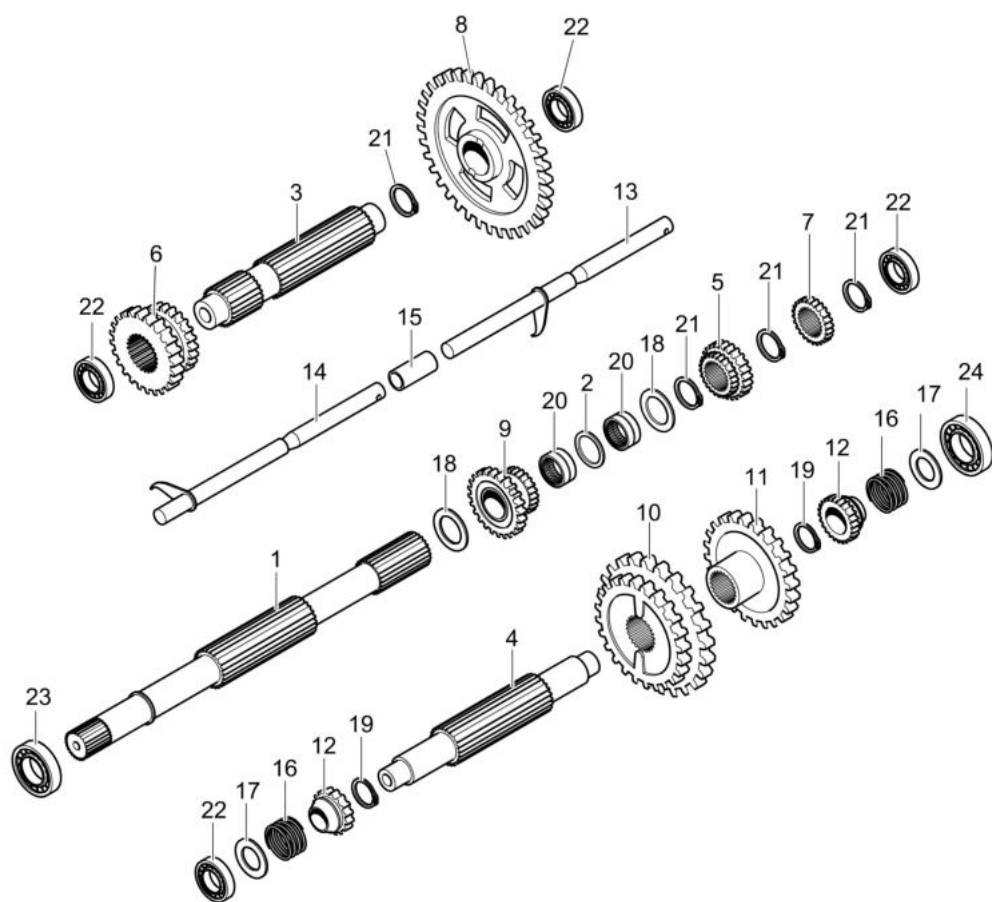
## изображение Handle bars and controls

Ref.Nu	Qty	Part number	Description	Validity from	Validity till	Notes	Bulletin
1	2	3960052R	Screw				
2	1	Y1445006	Dashboard (column)				
3	1	Y1445007	Column (red)				
4	1	Y1445009	Support articulated joint				
5	1	F1445010	Dashboard (gearbox)				
6	1	F1445011	Casing (red)				
7	1	F1445013	Knob				
8	1	F1445014	Gearbox lever (complete)				
9	1	F1445015	Knob				
10	1	F1445016	Regulating lever (complete)				
11	1	Y1445017	Connector				
12	1	F1445018	Spring				
13	1	Y1774173	Cotter pin				
14	1	F1445019	Grommet				
15	1	F1445020	Rubber protection				
16	1	F1445021	Rubber protection				
17	2	-	Not available for this product				
18	2	3912012R	Nut				
19	2	Y1744014	Screw				
20	1	Y1752009	Washer				
21	1	Y1753004	Washer				
22	1	Y2592003	Washer				
23	1	Y1750015	Screw				
24	1	F1440870	Sheath				
25	1	Y1750016	Screw				
26	1	Y1445022	Support				
27	1	F1440871	Sheath				
28	2	YF1445057	Screw				



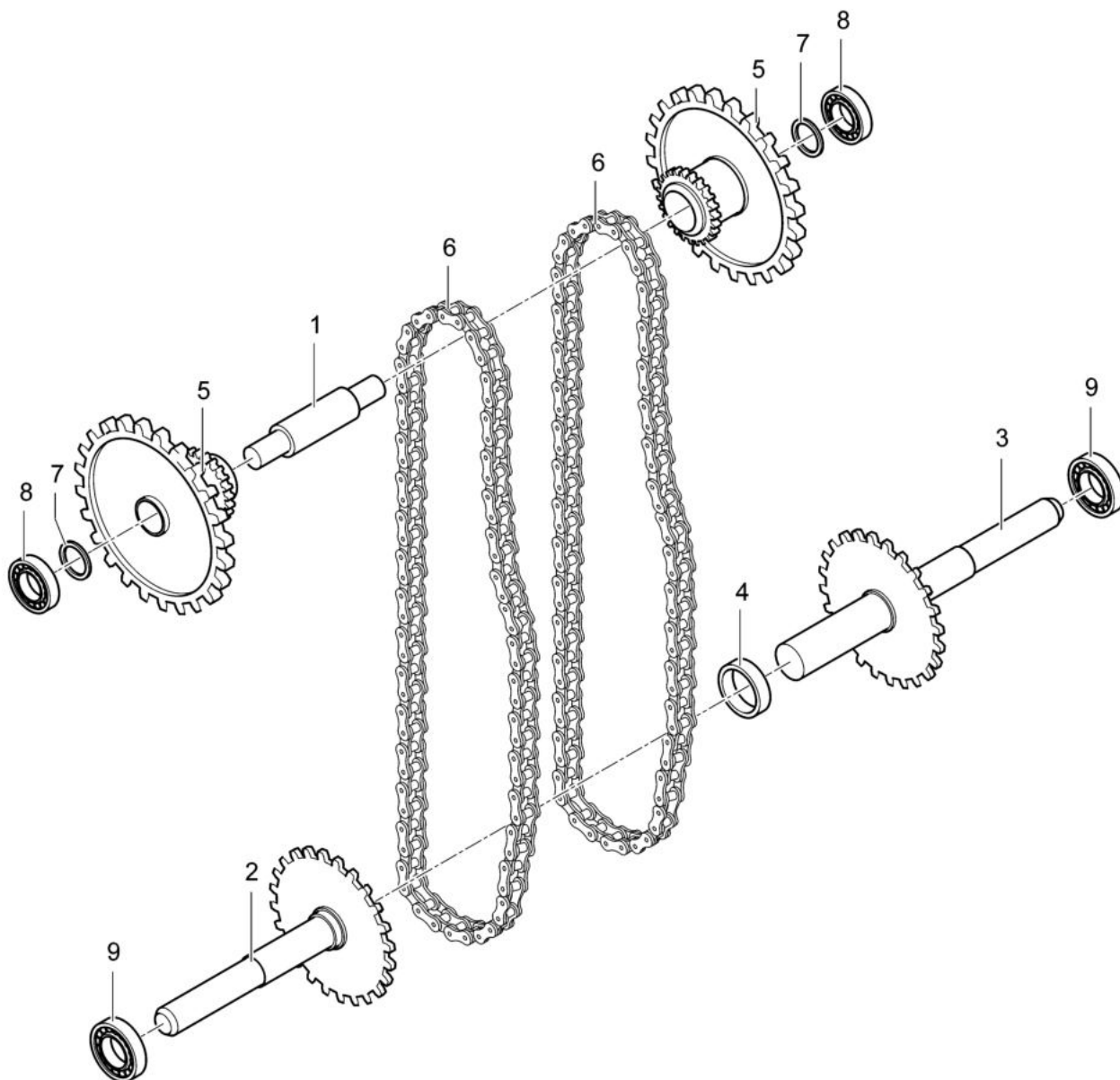
## изображение Selector

Ref.Nu	Qty	Part number	Description	Validity from	Validity till	Notes	Bulletin
1	1	YF1370389	Pin				
2	1	YF1375024	Selector swith a				
4	1	YF1375025	Selector fork b				
6	1	Y1370256	Selector (complete)				
7	1	YF1375027	Support				
8	1	YF1375028	Spring				
9	2	YF1375029	Screw				
10	1	YF1375057	Washer				
11	1	YF1375058	Washer				
12	1	YF1375030	Snap ring				



## изображение Gears (Gearbox)

Ref.Nu	Qty	Part number	Description	Validity from	Validity till	Notes	Bulletin
1	1	YF1375031	Shaft				
2	1	YF1375032	Spacer				
3	1	YF1375033	Shaft				
4	1	YF1375034	Shaft				
5	1	YF1375035	Gear				
6	1	YF1375036	Gear				
7	1	YF1375037	Sprocket				
8	1	YF1375038	Rim				
9	1	YF1375039	Idler gear				
10	1	YF1375040	Gear				
11	1	YF1375041	Gear				
12	2	YF1375042	Gear				
13	1	YF1375043	Control rod			Seconda e terza marcia; 2nd gear and 3rd gear	
14	1	YF1375044	Rod			Prima marcia e retromarcia;	
15	1	YF1375045	Spacer				
16	2	YF1375046	Spring				
17	2	YF1375054	Washer				
18	2	YF1375055	Washer				
19	2	YF1375053	Snap ring				
20	2	YF1375056	Thrust bearing				
21	4	3024020R	Snap ring				
22	4	YN1258800	Bearing				
23	1	YN1263701	Bearing				
24	1	N1259400	Bearing				

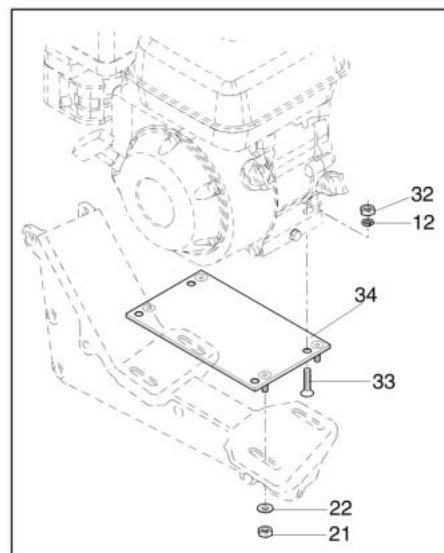
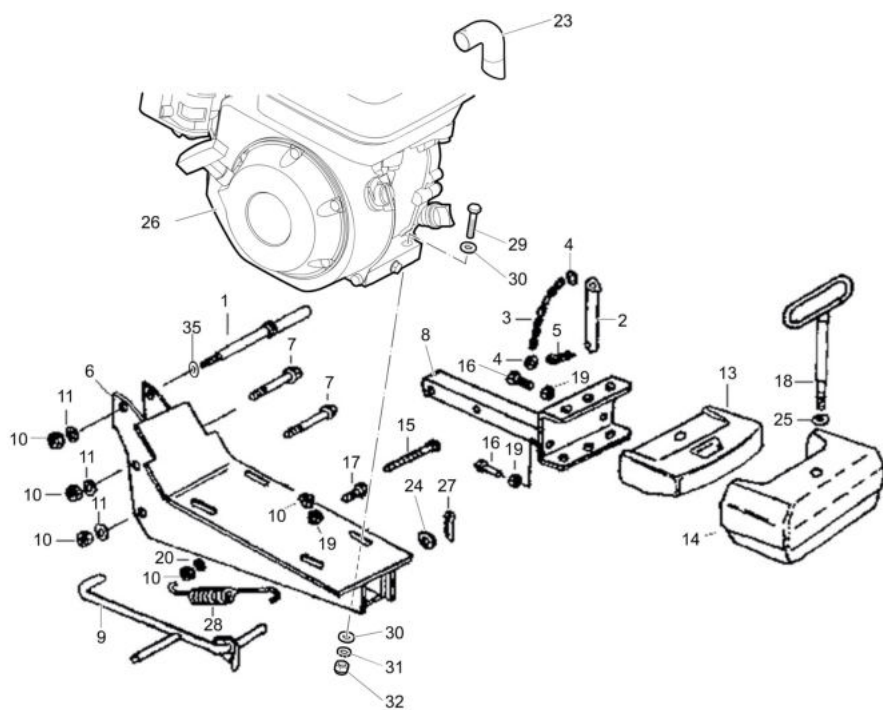


## изображение Catenary

---

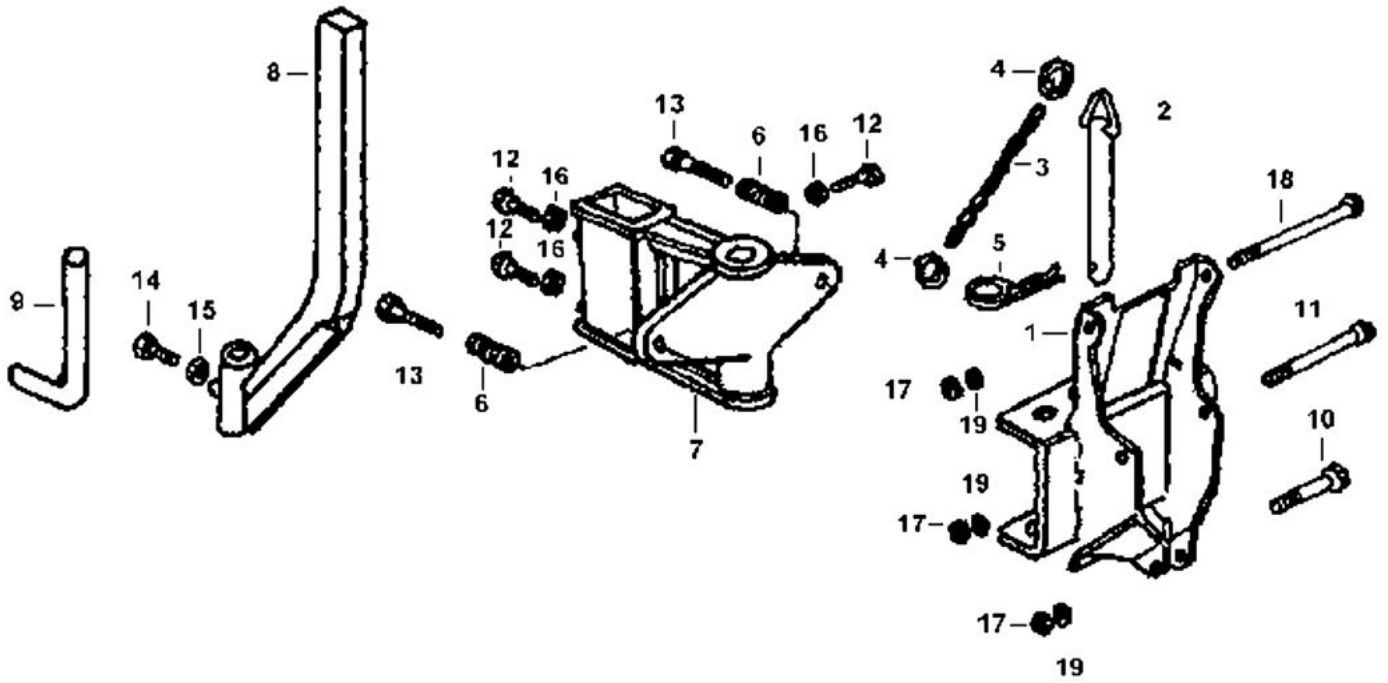
Ref.Nu	Qty	Part number	Description	Validity from	Validity till	Notes	Bulletin
1	1	YF1375047	Shaft (pinion)				
2	1	YF1445051	Axle shaft dx				
3	1	YF1445052	Axle shaft sx				
4	1	YF1375050	Spacer				
5	2	F1375051	Sprocket				
6	2	YF1375052	Chain				
7	2	YF1375055	Washer				
8	2	YN1263701	Bearing				
9	2	YN1284601	Bearing				





## изображение Counterweight

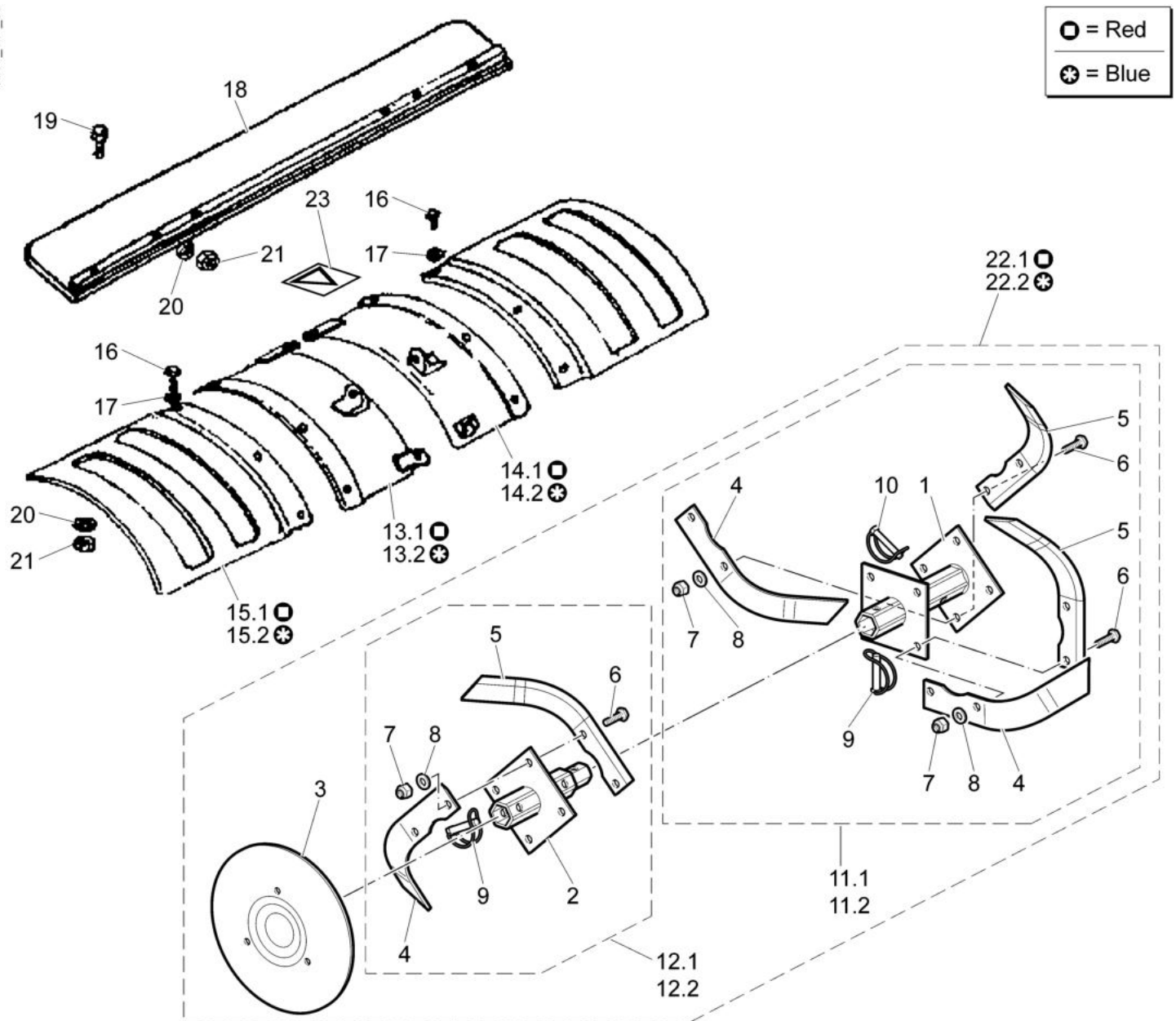
Ref.Nu	Qty	Part number	Description	Validity from	Validity till	Notes	Bulletin
1	1	F1445023	Pin				
2	1	F1445024	Pin				
3	1	F1445025	Chain				
4	2	F1445026	Ring				
5	1	F1445058	Plug				
6	1	F1445027	Support				
7	2	3906130	Screw				
8	1	F1445029	Support (red)			Grigio; Grey	
9	1	Y1445031	Stand (complete)				
10	3	3912012R	Nut				
11	3	Y1752048	Washer				
12	4	YN4365400	Washer				
13	1	Y1445032	Counterweight (red)			Rosso; Red	
14	1	Y1445034	Counterweight (red)			Rosso, Red	
15	1	3906130	Screw				
16	2	Y1745125	Screw				
17	1	Y1744058	Screw				
18	1	F1445036	Pin (locking)				
19	2	3912012R	Nut				
20	2	Y1753006	Washer				
21	4	3914010R	Nut				
22	4	3916009R	Washer				
23	1	68650011	Deflector				
24	1	Y1752019	Washer				
25	1	Y1752023	Washer				
26	-	-	Not available for this product				
27	1	Y1737016	Cotter pin				
28	1	F1445037	Spring				
29	4	3806074R	Screw				
30	8	3916008R	Washer				
31	4	3819013R	Grower				
32	4	320000028R	Nut				
33	1	YN6277800	Screw	SN B100090068		Per motori GX160, GX200;	
34	1	68650003A	Plate	SN B100090068		For GX160, GX200 engines Per motori GX160, GX200;	
35	1	3916010R	Washer				



## изображение Spur of support

Ref.Nu	Qty	Part number	Description	Validity from	Validity till	Notes	Bulletin
1	1	F1445038	Fixed support (complete)				
2	1	F1445039	Pin (complete)				
3	1	F1445025	Chain				
4	2	F1445026	Ring				
5	1	F1445058	Plug				
6	2	F1445040	Retracting spring				
7	1	F1445041	Bar support				
8	1	F1445042	Bar a				
9	1	YF1445043	Bar b				
10	1	Y1445028	Screw				
11	1	Y1743052	Screw				
12	3	Y1744088	Screw				
13	2	Y1744093	Screw				
14	1	Y1744058	Screw				
15	1	Y1751026	Nut				
16	3	Y1751035	Nut				
17	3	Y1751026	Nut				
18	1	Y1743056	Screw				
19	3	Y1753006	Washer				

0601\_011\_00



## изображение Tiller

Ref.Nu	Qty	Part number	Description	Validity from	Validity till	Notes	Bulletin
1	-		Not available for this product				
2	-		Not available for this product				
3	2	F1440839	Disc (guard)				
4	1	R0000146	Cutters kit			Kit composto da: F1440840,	
5	1	R0000146	Cutters kit			Kit composto da: F1440840,	
6	24	YN6325400	Screw			DX, 10pz + F1440841; SX, F1440840, RIGHT, 10pcs + 10pz. Set composed by:	
7	24	006000091R	Nut				
8	24	YN4379800	Washer			F1440841, LEFT, 10pcs	
9	4	YN5143260	Plug				
10	2	YN5138500	Plug				
11.1	1	Y1440842	Tiller sx				
11.2	1	Y1440843	Tiller dx				
12.1	1	F1440845	Extension (tiller) sx				
12.2	1	F1440844	Extension (tiller) dx				
13.1	1	Y1445046	Mud guard (red) dx				
13.2	1	-	Not available for this product				
14.1	1	Y1445044	Mud guard (red) sx				
14.2	1	-	Not available for this product				
15.1	2	F1445048	Mud guard (red)				
15.2	2	-	Not available for this product				
16	6	Y1744033	Screw				
17	6	Y1752012	Washer				
18	1	Y1445050	Mud guard (rear)				
19	6	Y1744016	Screw				
20	6	Y1752009	Washer				
21	6	Y1751011	Nut				
22.1	1	68650059	Rotor (complete)				
22.2	1	68650059	Rotor (complete)				
23	1	YF1233111	Plate (danger)			Su richiesta; Upon request	