

PW 150 C (2020) High-pressure washer



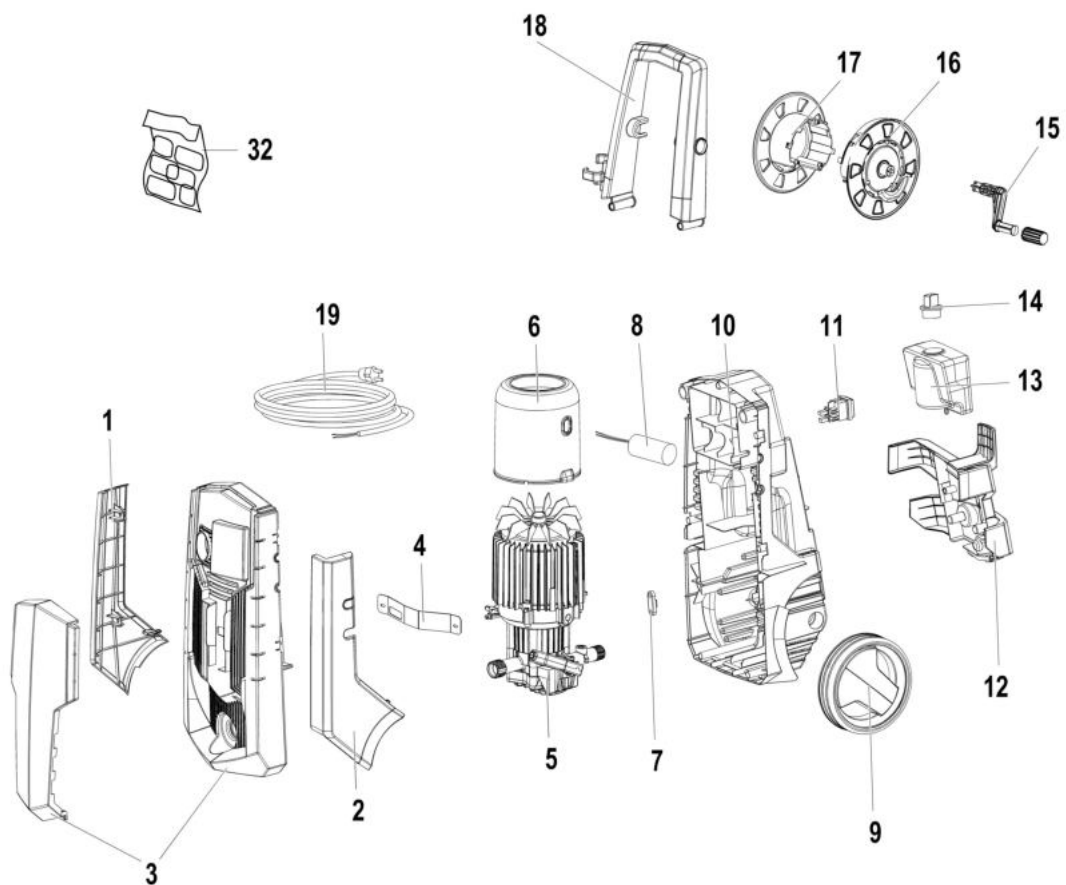
Документы

[Deck](#)

[Engine](#)

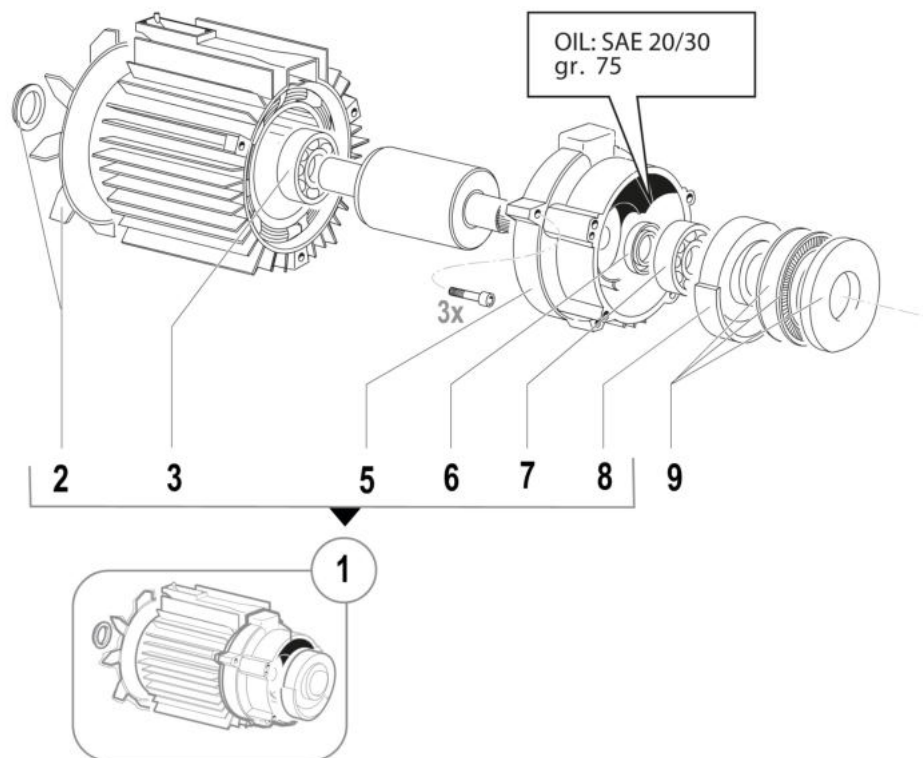
[Pump](#)

[Accessories](#)



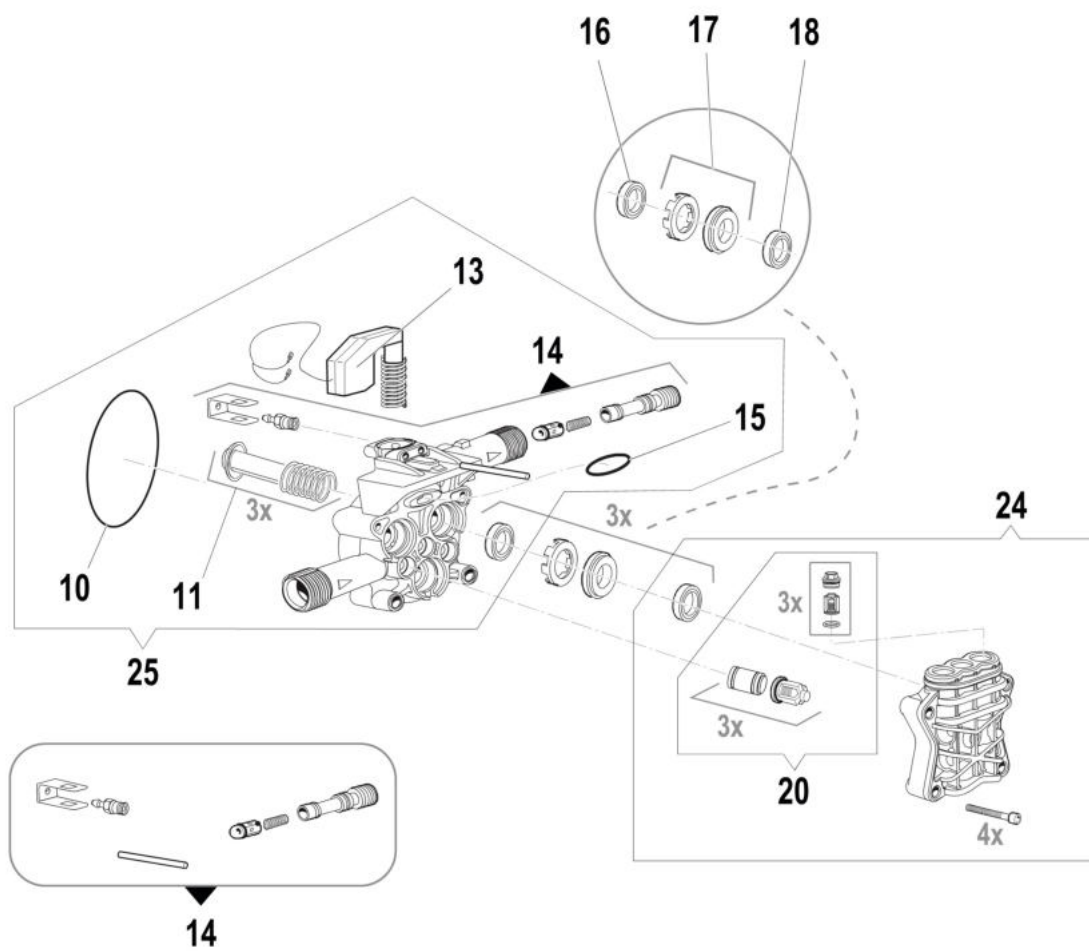
изображение Deck

Ref.Nu	Qty	Part number	Description	Validity from	Validity till	Notes	Bulletin
1	1	CH04770621	Schell				
2	1	CH04770622	Schell				
3	1	CH04770613	Cover				
4	1	CH10030101	Fixing plate				
5	1	CH73010960	Water pump				
6	1	CH04660097	Starter case				
7	1	CH24340083	Fairled				
8	1	CH04340067	Condenser				
9	2	CH28100126	Wheel				
10	1	CH04770624	Rear bonnet				
11	1	CH14100153	Switch				
12	1	CH04770668	Acessories support				
13	1	CH30290059	Detergent tank				
14	1	CH32000239	Detergent plug				
15	1	CH18040008	Handle				
16	1	CH06020138	Half hose reel				
17	1	CH06020139	Half hose reel				
18	1	CH14110084	Handle				
19	1	CH04560529	Wire				
32	1	CH32158947	Labels kit				



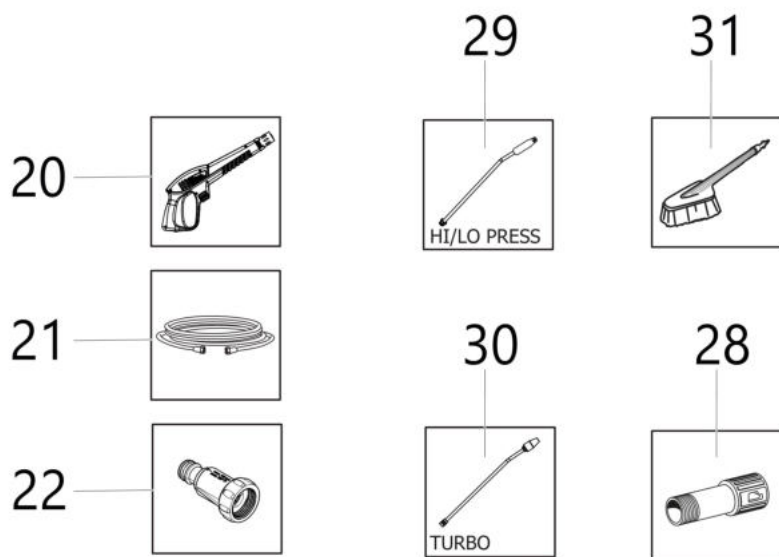
изображение Engine

Ref.Nu	Qty	Part number	Description	Validity from	Validity till	Notes	Bulletin
1	1	CH73010960	Water pump				
2	1	CH36320171	Fan and ring kit				
3	1	CH04380154	Bearing				
5	1	CH10090459	Flange				
6	1	CH00190222	Seal ring				
7	1	CH04380155	Bearing				
8	1	CH00011027	Plate				
9	1	CH04360037	Bearing				



изображение PUMP

Ref.Nu	Qty	Part number	Description	Validity from	Validity till	Notes	Bulletin
10	1	CH12100585	O-ring				
11	1	CH24090136	Pistons assy				
13	1	CH31030049	Total stop kit				
14	1	CH34100405	Reed valve kit				
15	1	CH12010298	Gasket				
16	1	CH50270059	Seal ring				
17	1	CH50270067	Spacer washer				
18	1	CH50190298	Gasket set				
20	1	CH36040073	Suction/delivery valve kit				
24	1	CH50270098	Compl. top cover				
25	1	CH50270099	Complete piston supports kit				



изображение Accessories

Ref.Nu	Qty	Part number	Description	Validity from	Validity till	Notes	Bulletin
20		68500078	Spray gun				
21		68500060	H.p. hose				
22		CH10020285	Filter				
28		CH00110044	Adapter				
29		68500079	Lance with adjustable nozzle				
30		68500080	Rotojet lance				
31		68500003A	Fixed brush				