

## MH 160 (EN709) Rotary tiller



### Документы

Handle-bar fixed and control box

---

Frame (Handle-bar fixed)

---

Hoods

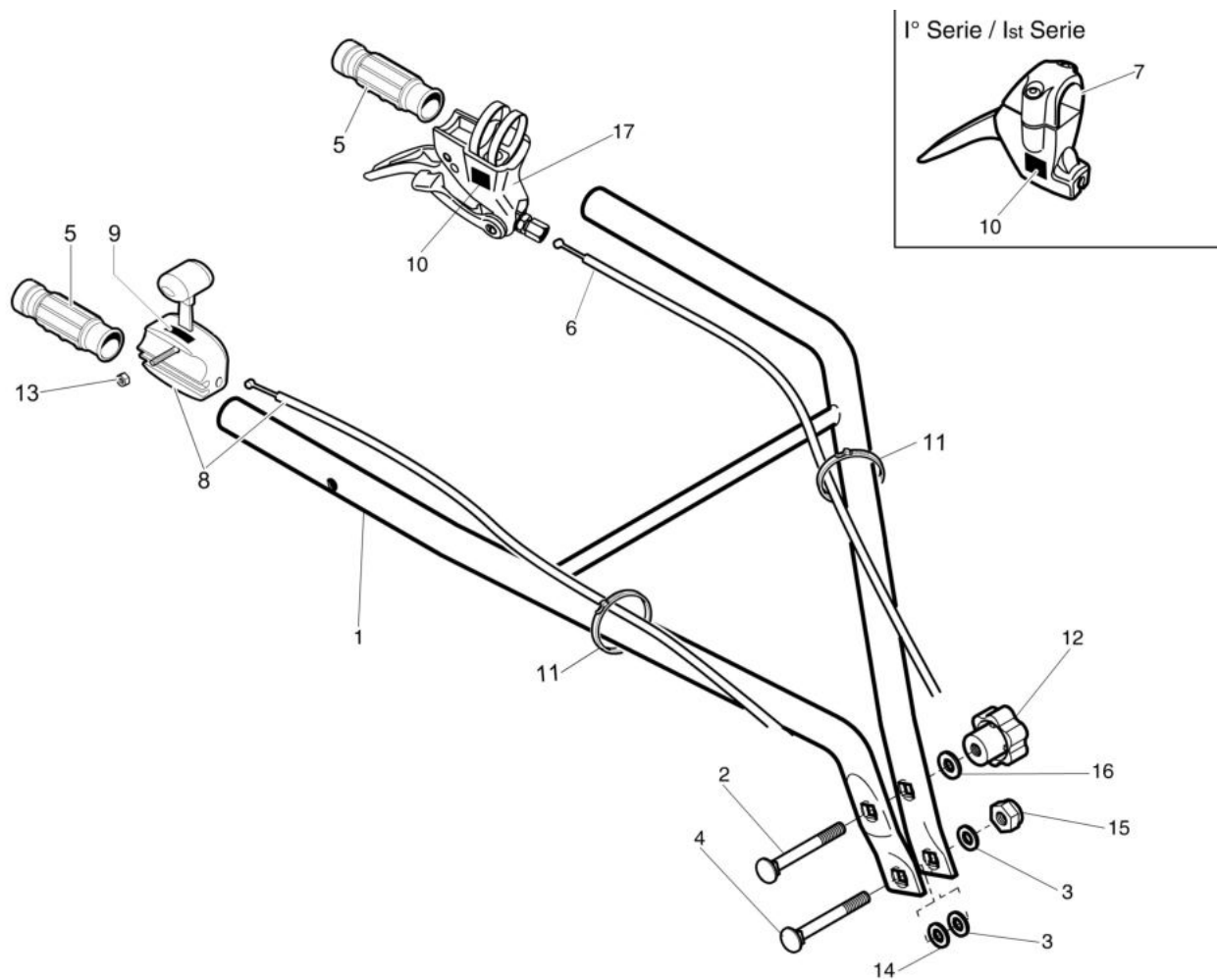
---

Gears

---

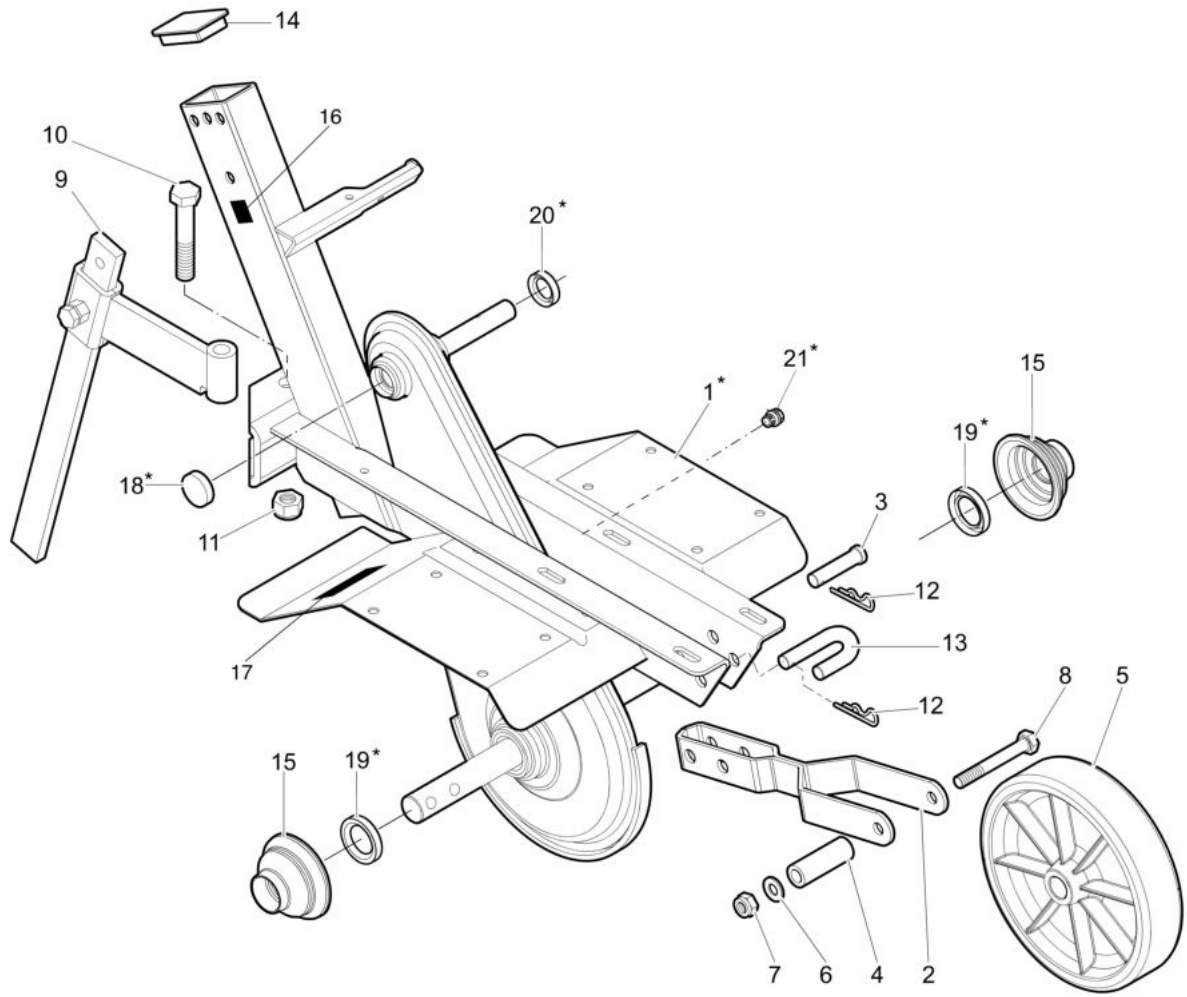
Tiller

---



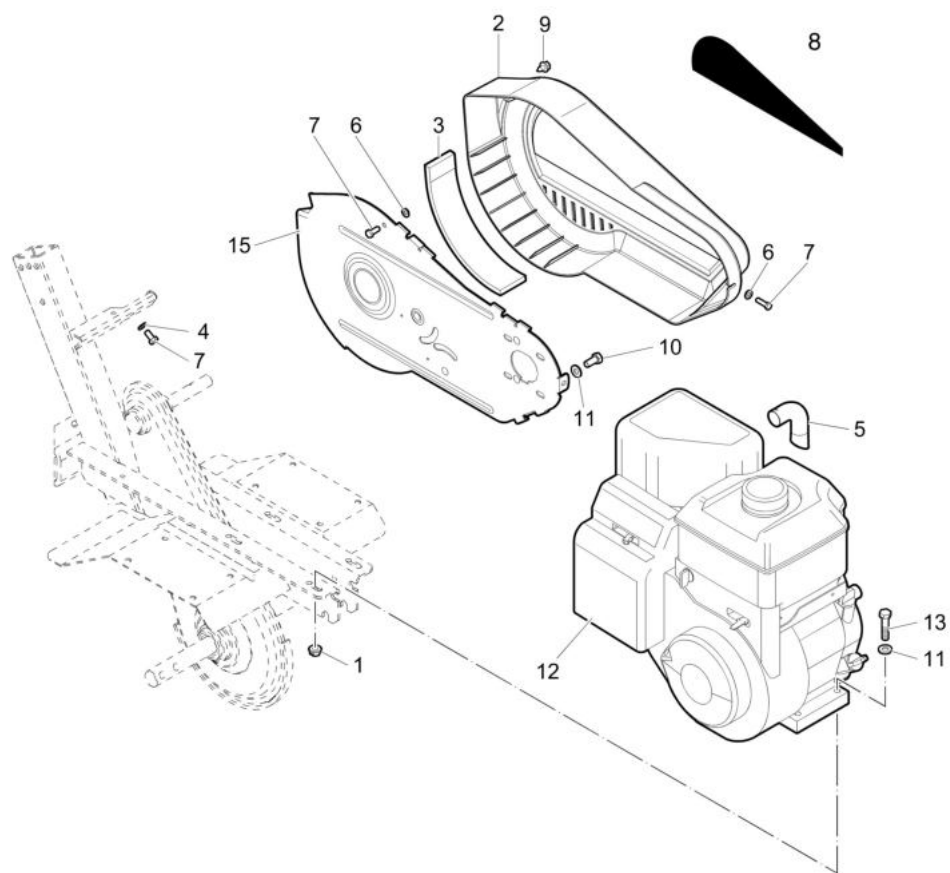
## изображение Handle-bar fixed and control box

Ref.Nu	Qty	Part number	Description	Validity from	Validity till	Notes	Bulletin
1	1	68690008R	Handlebar				
2	1	YN6363450	Screw				
3	2	YN4387700	Washer				
4	1	YN6404000	Screw				
5	2	YN2847410	Handle start	01/2011		EN 709	BT9-005-04/12
6	1	68690062R	Transmission	SN B353102094		Avanzamento; Forward	BT9-006-12/13
7	1	68690028R	Lever (single) START	01/2011	SN B353102093	Con blocco di sicurezza;	BT9-005-04/12,
8	1	68690021R	Throttle			With safety block EN 709 GX 160 UE, GX 160 Extra	BT9-006-12/13
8	1	YF1231708	Throttle			GC 135; GC 160; B&S	
9	1	YN5380100	Plate (Accelerator)			DOV800; B&S INTEK OHV Su richiesta; Upon request	
10	1	YN5380670	Plate (Yaw)			Su richiesta; Upon request	
11	2	YN1764000	Band				
12	1	YN3755430	Knob				
13	1	3914006R	Nut				
14	1	3916016	Washer				
15	1	YN1470200	Nut				
16	1	3916010R	Washer				
17	1	68690061R	Lever (single)	SN B353102094			BT9-006-12/13



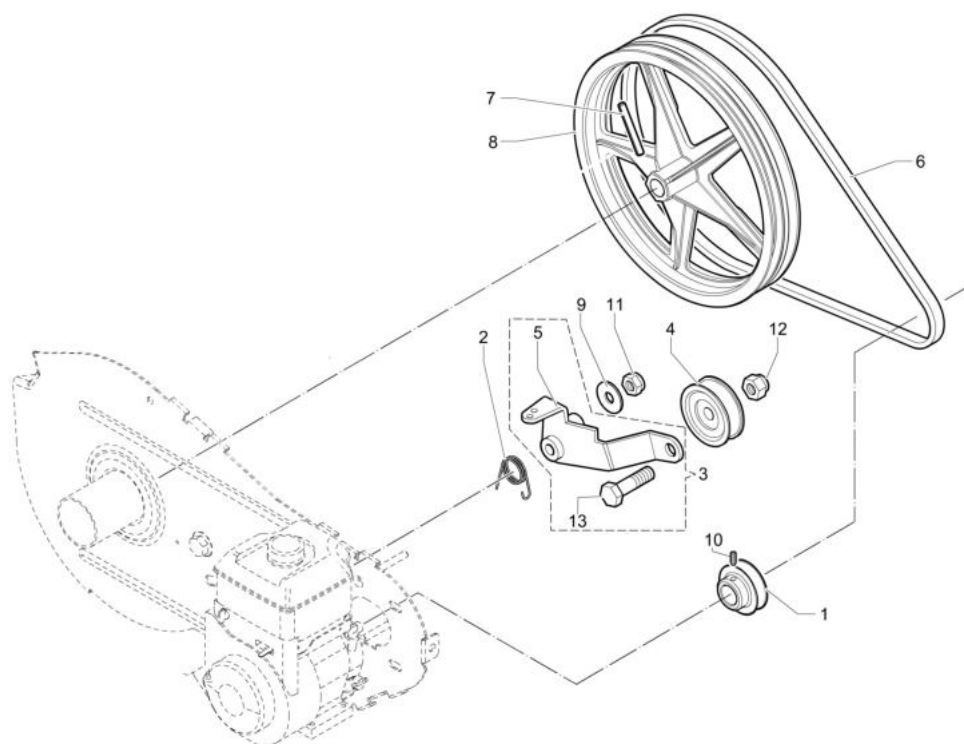
## изображение Frame (Handle-bar fixed)

Ref.Nu	Qty	Part number	Description	Validity from	Validity till	Notes	Bulletin
1	1	68692008	Frame (protection + cap)				
2	1	68690011	Support (wheel)				
3	1	YF1231625	Pin				
4	1	YF1231669	Spacer				
5	1	400400300R	Wheel				
6	1	3916010R	Washer				
7	1	3914014R	Nut				
8	1	YN6358200	Screw				
9	1	68690010	Drag bar				
10	1	YN6433110	Screw				
11	1	YN1476760	Nut				
12	2	YN5135700	Cotter pin				
13	1	YF1231624	U-bolt				
14	1	YF1232115	Cover				
15	1	YF1233106	Guard				
16	1	N5388666	Plate CE			Su richiesta; Upon request	
17	1	YF1233111	Plate (danger)			Su richiesta; Upon request	
18	1	YN5269990	Cap				
19	1	3050046R	Seal ring				
20	2	YN0205400	Ring				
21	1	YN5254000	Oil cap				



## изображение Hoods

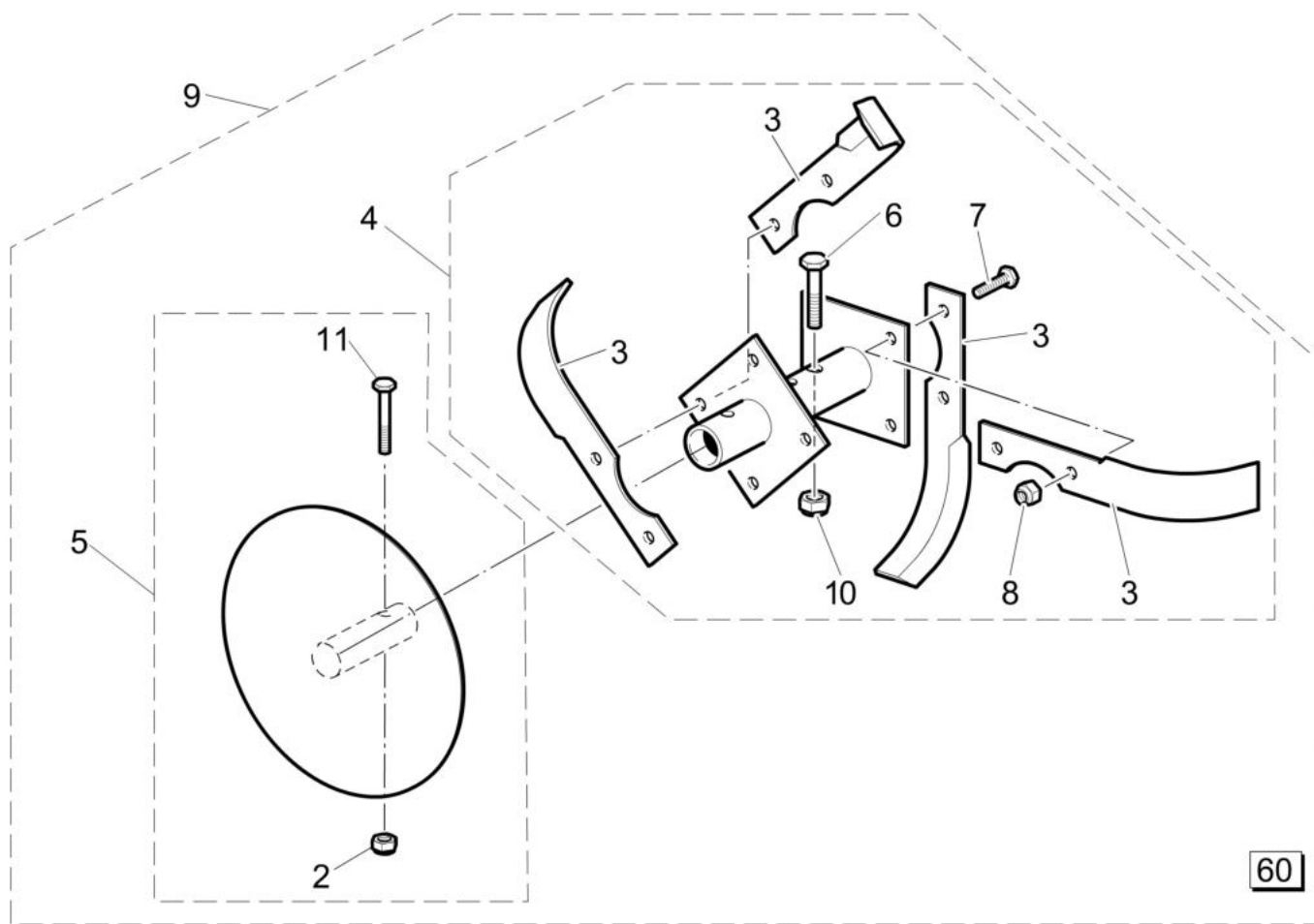
Ref.Nu	Qty	Part number	Description	Validity from	Validity till	Notes	Bulletin
1	2	YN1457570	Nut				
2	1	68670021ER	Hood				
3	1	F1232205R	Rubber profile		01/2010		
4	1	YN4361900	Washer				
5	1	F1230002	Grip-end			GX 160 UE; GX 160 Extra UE; Emak K800H; GC 135	
6	1	YN4361900	Washer				
7	1	301000042R	Screw				
8	1	F1232180	Plate			Su richiesta; Upon request	
9	1	N3752100	Wing nut				
10	1	YN6243940	Screw			GC 160; GX 160 UE; GX 160	
11	1	3916008R	Washer				
12	-	-	Not available for this product			UE; GC 135	
13	1	3806076R	Screw				
15	1	F1232126	Plate				





## изображение Gears

Ref.Nu	Qty	Part number	Description	Validity from	Validity till	Notes	Bulletin
1	1	YF1231607	Pulley				
2	1	YF1231613	Spring				
3	1	68692005	Lever group				BT9-003-11/10
4	1	YF1231615	Bearing				
5	1	68690030R	Jockey roll leve				BT9-003-11/10
6	1	YF1231609	Belt				
7	1	YN5129400	Plug				
8	1	68670056AR	Pulley				
9	1	YN4382550	Washer				
10	1	YN6195100	Screw				
11	1	3914014R	Nut				
12	1	YN1470200	Nut				
13	1	YN6370300	Screw				BT9-003-11/10



60

## изображение Tiller

Ref.Nu	Qty	Part number	Description	Validity from	Validity till	Notes	Bulletin
2	1	3914010R	Nut				
3	1	R0000143	Cutters kit			KIT: F1233102, DX, 10pz +	
4	1	68690035R	Tiller			DX; RIGHT	
4	1	68690036R	Tiller			DX; LEFT, 10pcs	
5	1	68620046AR	Disk				
6	2	YN6342900	Screw				
7	8	3933034AR	Screw				
8	8	YN1458020	Nut				
9	1	68622001	Rotor (complete)			Kit 60 cm composto da:	
10	2	3914014R	Nut			F1233125, DX + F1233126, SX: 60 cm set composed	
11	1	3806076R	Screw			F1233126, LEFT;	