

MH 170 RKS (K700 H SN T210) Rotary tiller



Документы

[Illustrated parts list 1](#)

[Illustrated parts list 2](#)

[Cylinder head](#)

[Ignition system](#)

[Crankcase](#)

[Crankcase cover](#)

[Crankshaft and piston](#)

[Valve and governor](#)

[Flywheel and coil](#)

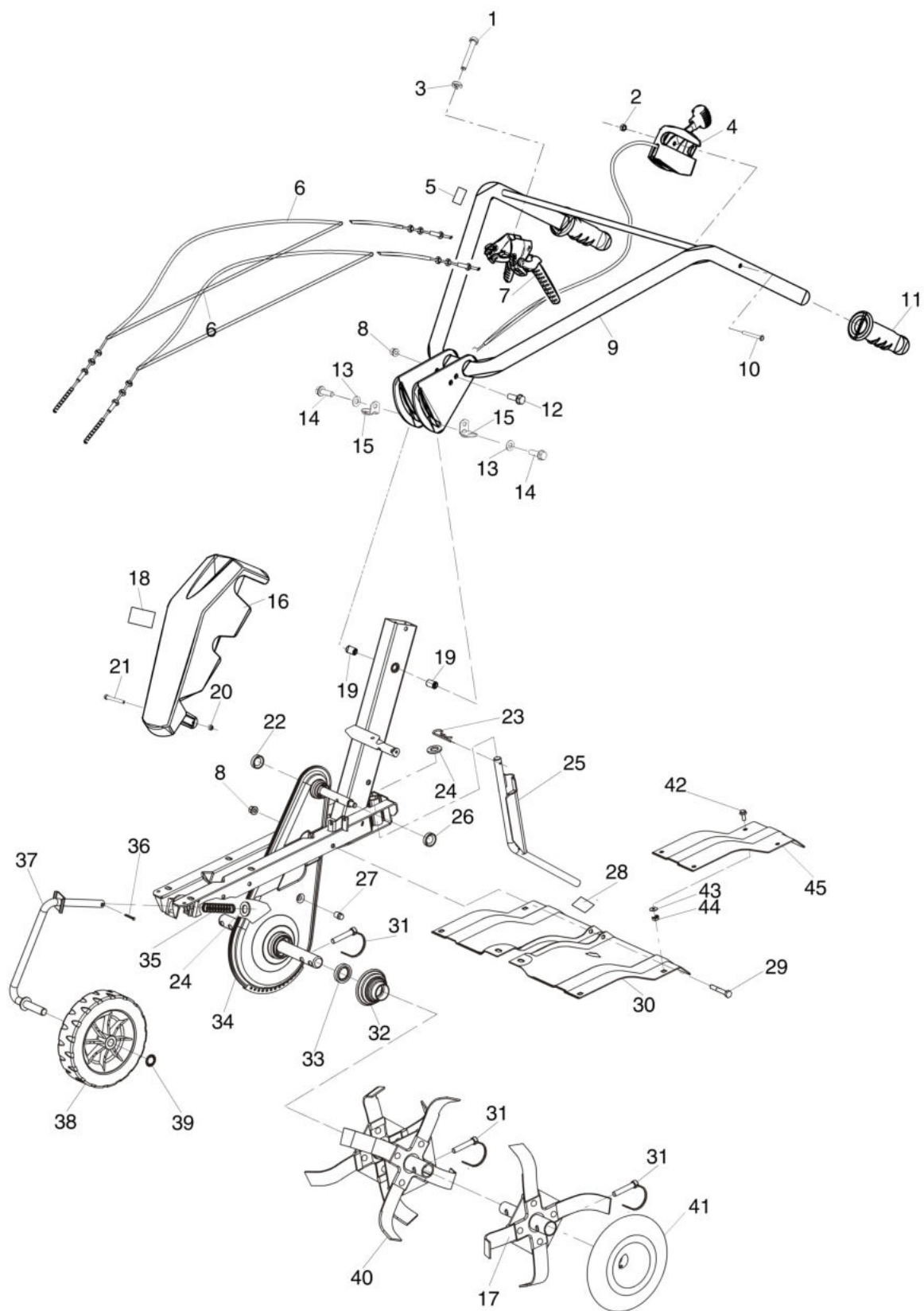
[Control lever](#)

[Muffler](#)

[Air filter](#)

[Tank](#)

[Carburetor and deflector](#)

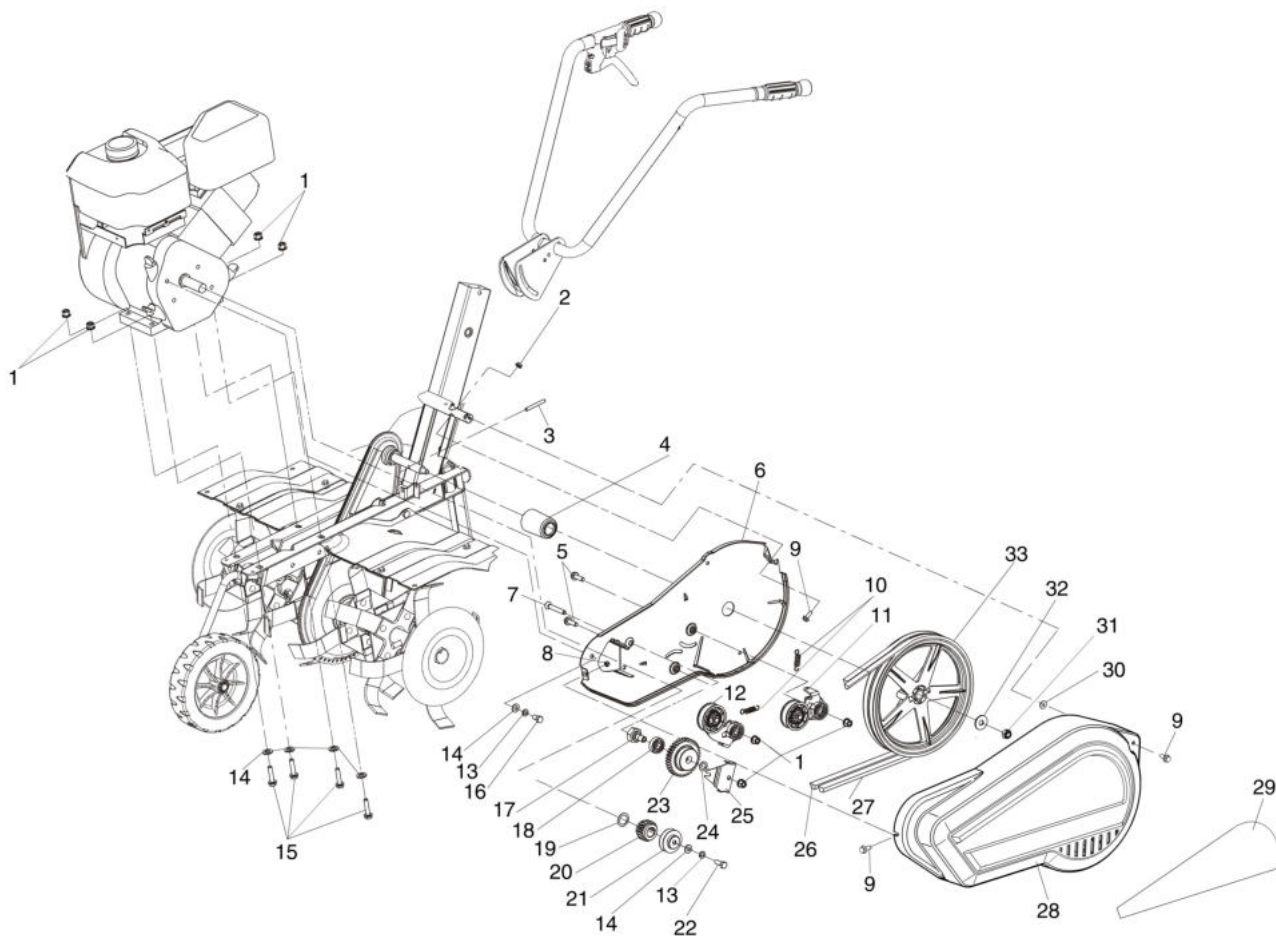


изображение Illustrated parts list 1

Ref.Nu	Qty	Part number	Description	Validity from	Validity till	Notes	Bulletin
1	1	3901090R	Screw				
2	1	3914006R	Nut				
3	1	YN4357000	Washer				
4	1	68670052R	Throttle				
5	1	YN5380870	Plate (Instruction)				
6	1	68690062R	Transmission				
7	1	68670069R	Lever (double)				
8	1	3914012R	Nut				
9	1	68670037R	Handlebar				
10	1	3910028R	Screw				
11	1	YN2843300	Knob				
12	1	3906080	Screw				
13	2	3918013R	Washer				
14	2	3906065R	Screw				
15	2	68670036R	Plate				
16	1	68670020R	Cover				
17	1	68670066R	Extension			DX; RIGHT	
17	1	68670067R	Extension			SX; LEFT	
18	1	68240067R	Label Oleo-Mac				
19	2	3933001R	Insert				
20	1	N1453000	Nut				
21	1	3906028R	Screw				
22	1	YN5269990	Cap				
23	1	N1054500	Split pin				
24	1	3916016	Washer				
25	1	68670100R	Drag bar				
26	1	YN0205400	Ring				
27	1	YN5254000	Oil cap				
28	1	YF1233111	Plate (danger)				
29	1	301000155R	Screw				
30	1	68690116R	Guard				
31	8	YN5143250	Piston pin				
32	2	68690136R	Guard				
33	2	3050046R	Seal ring				
34	1	68692013	Frame				
35	1	68670030R	Spring				
36	1	3031025R	Split pin				
37	1	68690111R	Support (wheel)				
38	1	68670028R	Wheel				
39	1	3024050R	Ring				
40	1	68670111R	Rotor (complete) sx				
40	1	68670110R	Rotor (complete) dx				
41	1	68670034R	Complete disk				
42	4	3906036R	Screw				

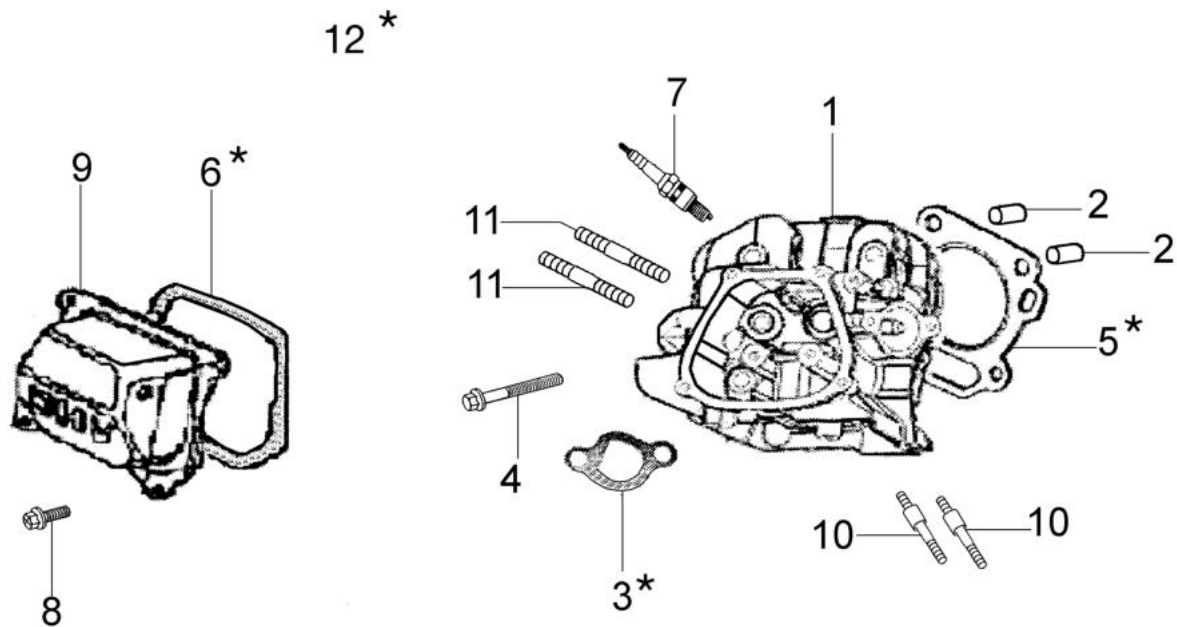
изображение Illustrated parts list 1

Ref.Nu	Qty	Part number	Description	Validity from	Validity till	Notes	Bulletin
43	4	68670054R	Washer				
44	4	3980001R	Nut				
45	2	68690118R	Guard				



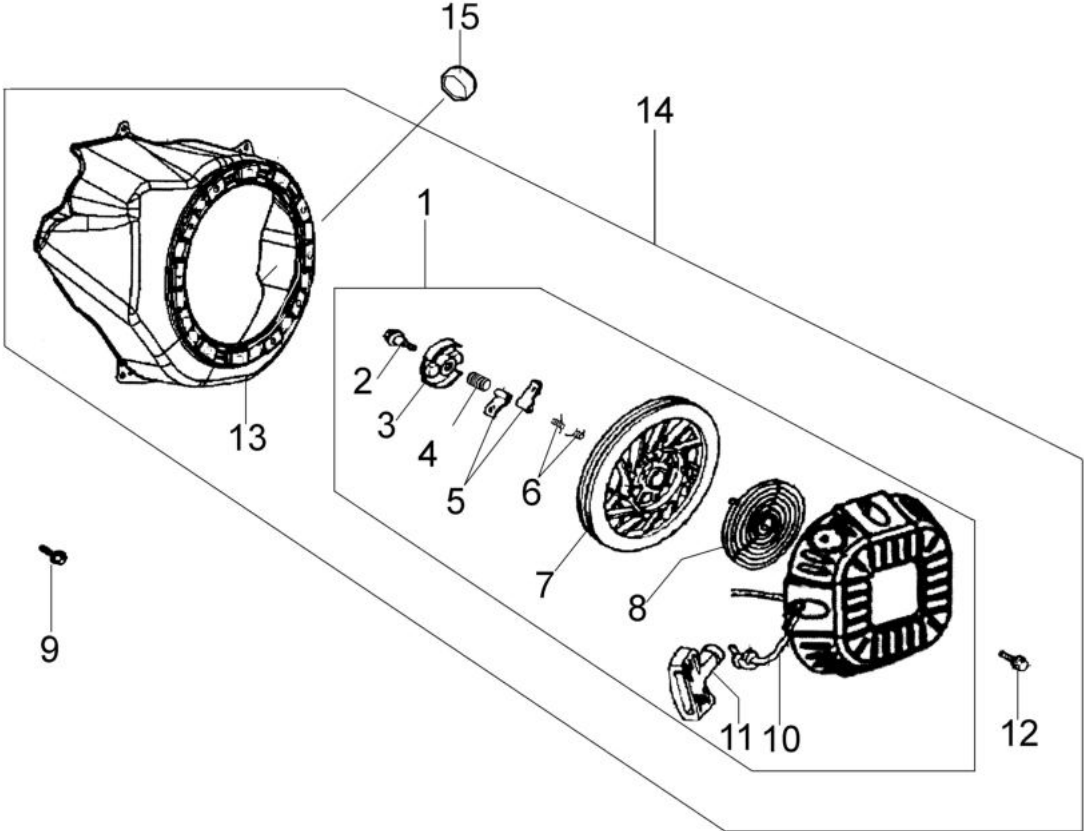
изображение Illustrated parts list 2

Ref.Nu	Qty	Part number	Description	Validity from	Validity till	Notes	Bulletin
1	7	3914012R	Nut				
2	1	3914016R	Nut				
3	1	3022037R	Plug				
4	1	68690109R	Tube				
5	2	3906065R	Screw				
6	1	68690113R	Plate				
7	1	3902002R	Screw				
8	1	3914006R	Nut				
9	3	3960089R	Screw				
10	2	68690106R	Spring				
11	1	68690105R	Guide pulley				
12	1	68690104R	Guide pulley				
13	2	YN4366600	Washer				
14	6	3916008R	Washer				
15	4	3806076R	Screw				
16	1	YN6243940	Screw				
17	1	68690107R	Pin				
18	1	YN1252350	Bearing				
19	1	YF1231648	Spacer				
20	1	ES360020180R	Gear				
21	1	68690108R	Pulley (engine)				
22	1	YN6243980	Screw				
23	1	ES360020180R	Gear				
24	1	YN5001750	Thickness				
25	1	68690135R	Plate				
26	1	68670114R	Belt (reverse gear)				
27	1	YF1231609	Belt				
28	1	68670021ER	Hood				
29	1	68670109R	Plate				
30	1	68670054R	Washer				
31	1	3914014R	Nut				
32	1	3918026R	Washer				
33	1	68690103R	Pulley				



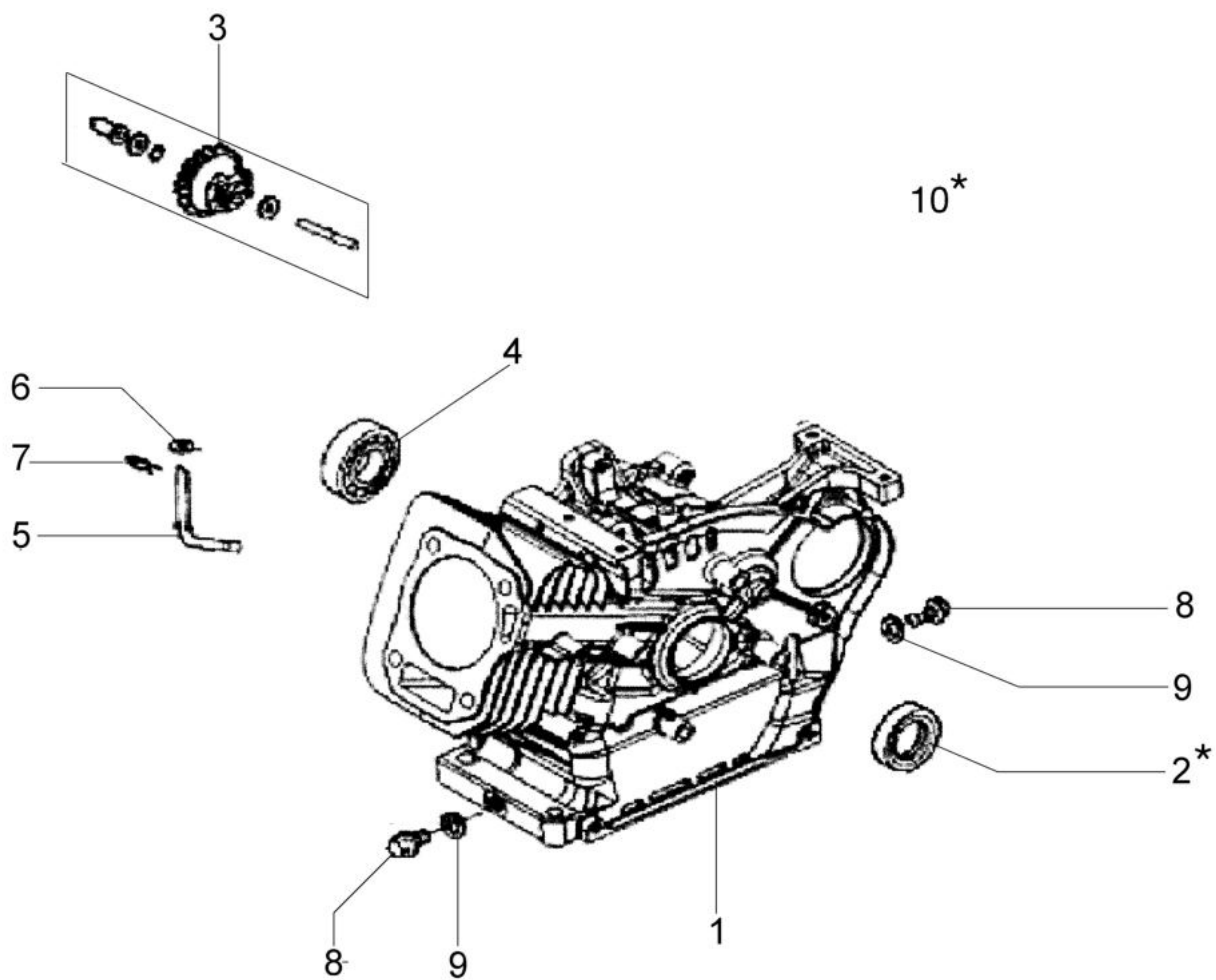
изображение Cylinder head

Ref.Nu	Qty	Part number	Description	Validity from	Validity till	Notes	Bulletin
1	1	L66150275	Cylinder head				
2	2	L66150350	Plug				
3	1	L66150309	Gasket				
4	4	L66150323	Screw				
5	1	L66150276	Gasket				
6	1	L66150278	Gasket				
7	1	3055123R	Spark plug				
8	4	L66150316	Screw				
9	1	L66150277	Cover				
10	2	L66150241	Stud				
11	2	L66150324	Stud				
12	1	L66150618	Gasket set				



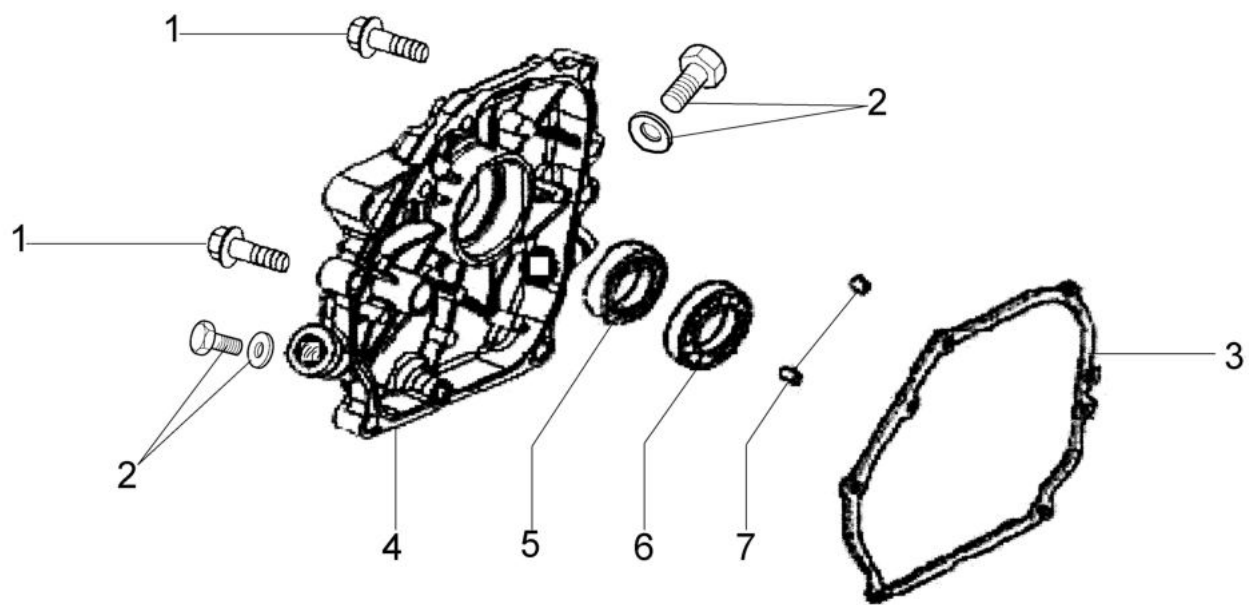
изображение Ignition system

Ref.Nu	Qty	Part number	Description	Validity from	Validity till	Notes	Bulletin
1	1	L66150329	Starter assy				
2	1	L66150330	Fixing screw				
3	1	L66150331	Clutch driver				
4	1	L66150332	Spring				
5	2	L66150263	Pawl				
6	2	L66150264	Spring				
7	1	L66150265	Pulley				
8	1	L66150336	Starter spring				
9	4	L66150316	Screw				
10	1	L66150337	Starter rope				
11	1	L66150103	Starter handle				
12	4	L66150339	Screw				
13	1	L66150391	Fan cover				
14	1	L66150374	Starter assy				
15	1	L66150474	Cap				



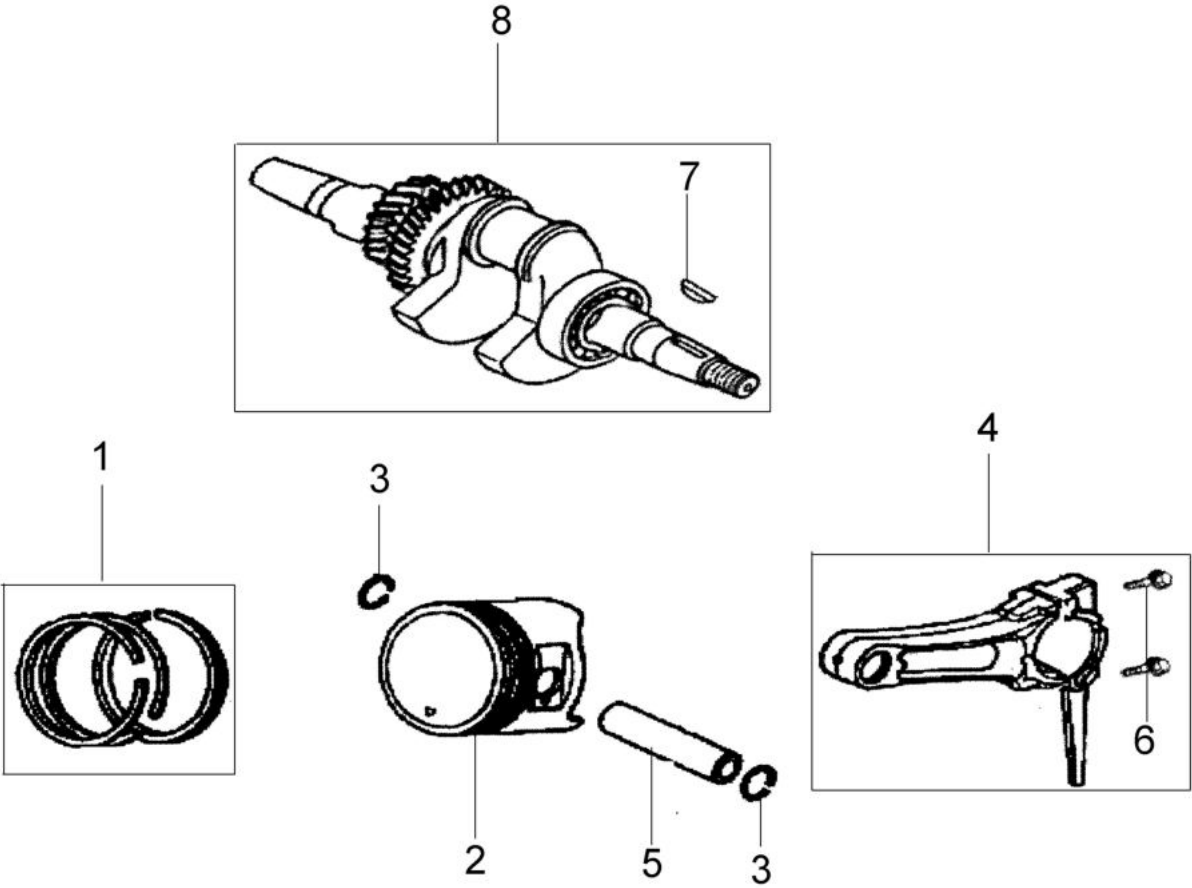
изображение Crankcase

Ref.Nu	Qty	Part number	Description	Validity from	Validity till	Notes	Bulletin
1	1	L66150272	Cylinder and crankcase				
2	1	L66150326	Ring				
3	1	L66150304	Governor				
4	1	L66150355	Bearing				
5	1	L66150302	Shaft				
6	1	L66150325	Washer				
7	1	L66150353	Plug				
8	2	L66150352	Screw				
9	2	L66150354	Washer				
10	1	L66150618	Gasket set				



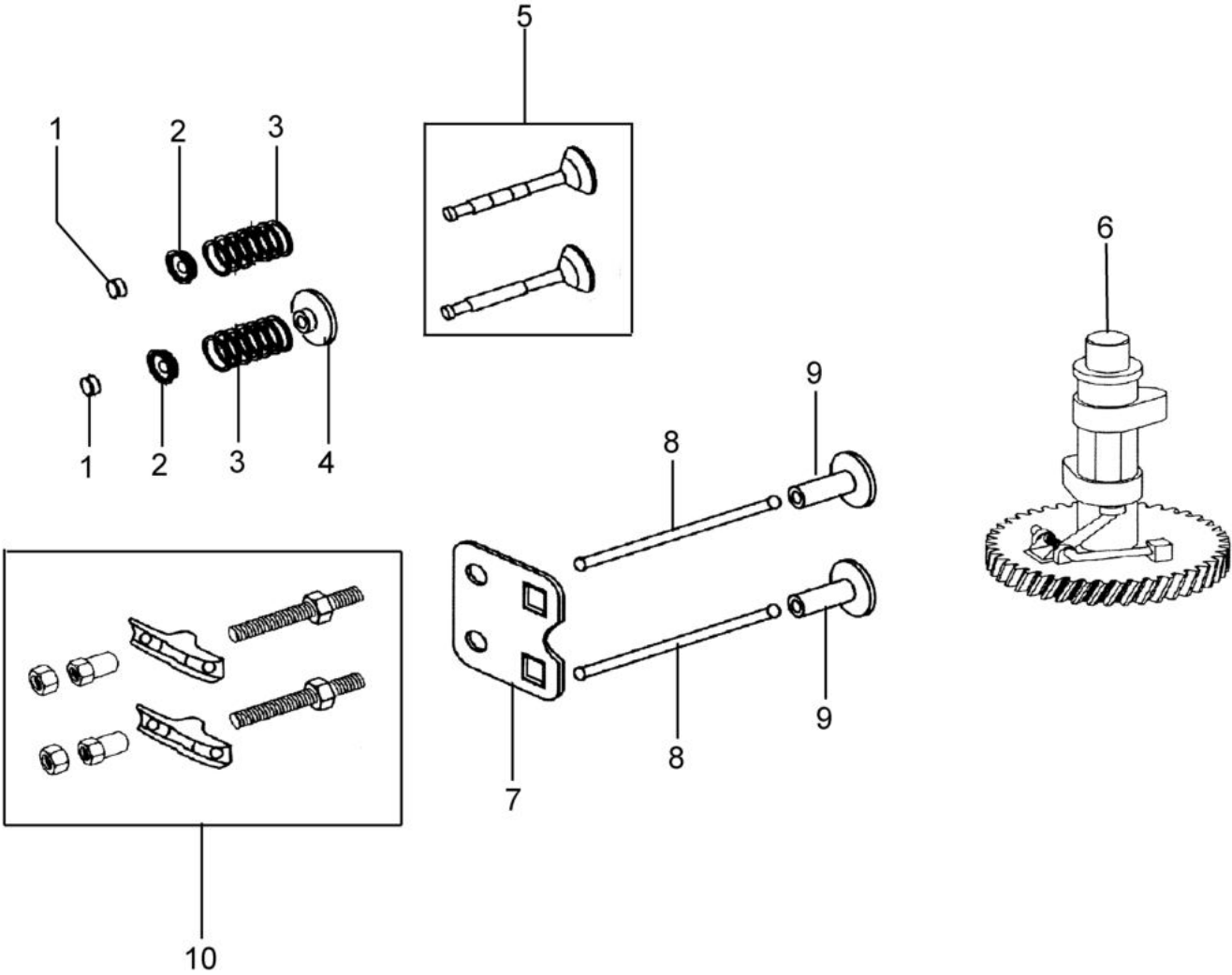
изображение Crankcase cover

Ref.Nu	Qty	Part number	Description	Validity from	Validity till	Notes	Bulletin
1	7	L66150319	Screw				
2	2	L66151232	Cap				
3	1	L66150274	Gasket				
4	1	L66150273	Crankcase cover				
5	1	L66150326	Ring				
6	1	L66150355	Bearing				
7	2	L66150357	Plug				



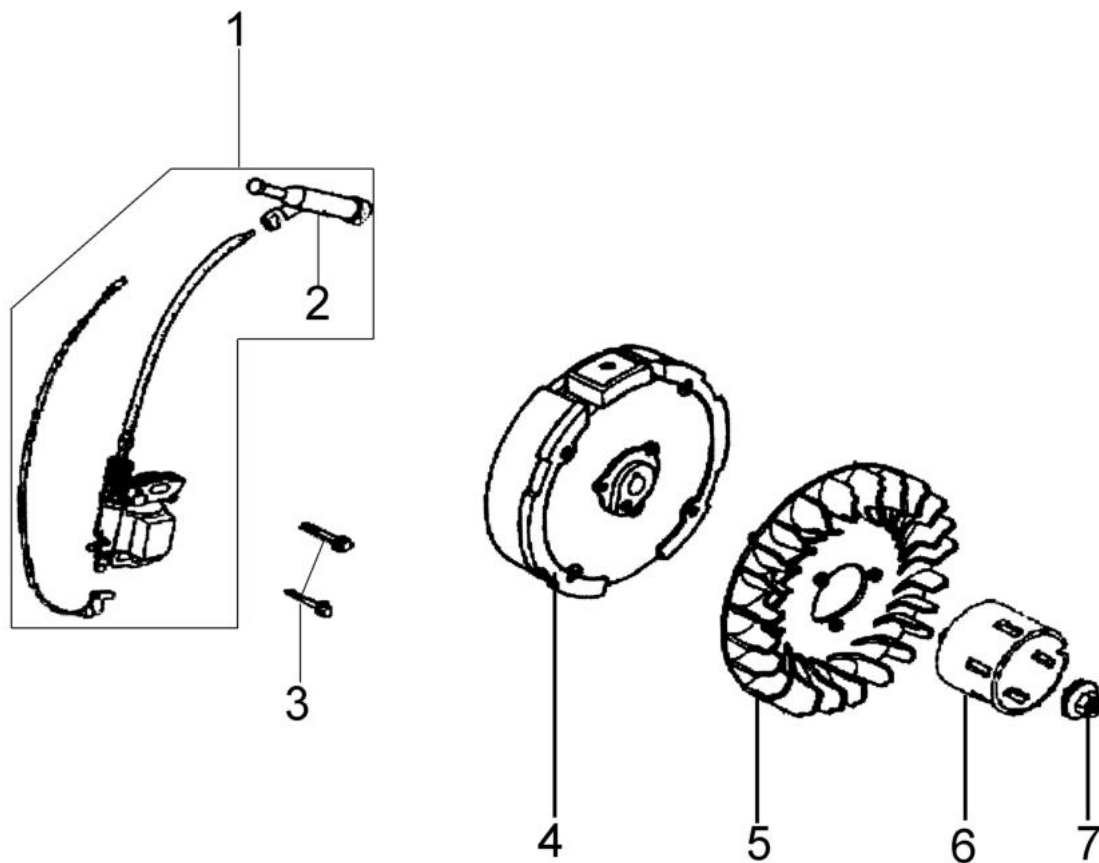
изображение Crankshaft and piston

Ref.Nu	Qty	Part number	Description	Validity from	Validity till	Notes	Bulletin
1	1	L66150280	Piston ring set				
2	1	L66150279	Piston				
3	2	L66150372	Retainer washer				
4	1	L66150281	Connecting rod cpl.				
5	1	L66150342	Piston pin				
6	2	L66150343	Screw				
7	1	L66150081	Key				
8	1	L66150373	Complete shaft				



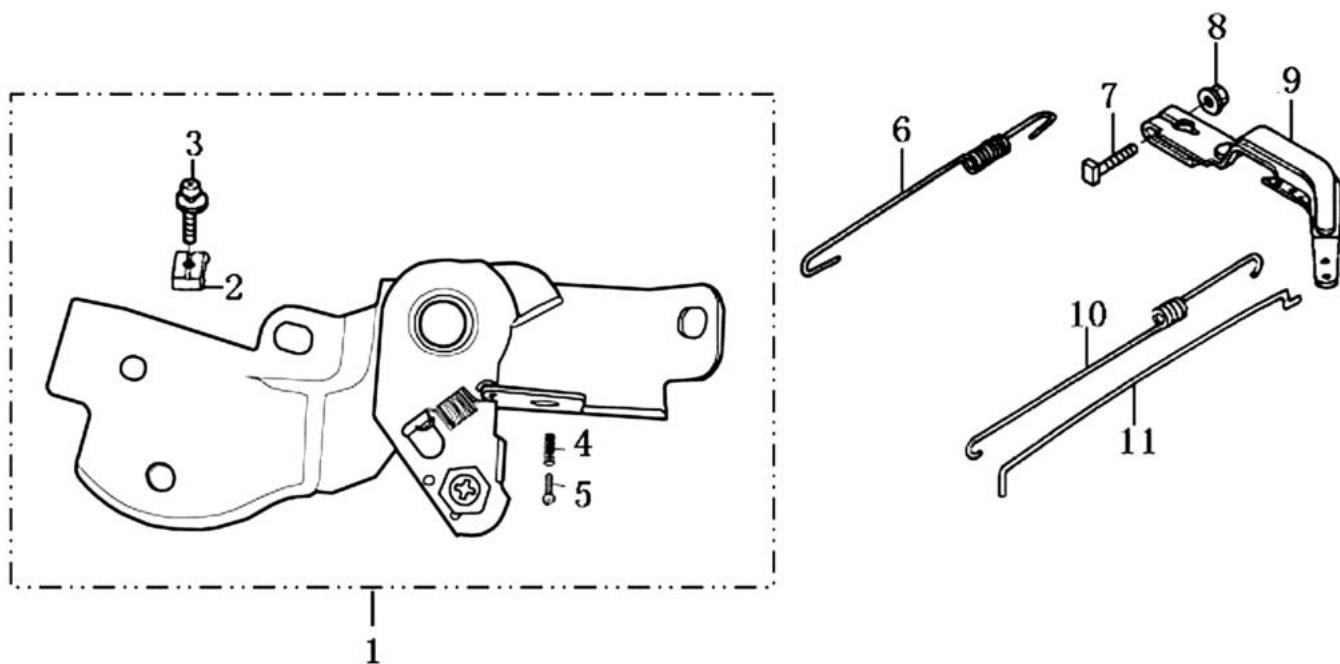
изображение Valve and governor

Ref.Nu	Qty	Part number	Description	Validity from	Validity till	Notes	Bulletin
1	2	L66150364	Valve				
2	2	L66150365	Ring				
3	2	L66150366	Valves spring				
4	1	L66150367	Seal				
5	1	L66151233	Reed valve kit				
6	1	L66150363	Complete shaft				
7	1	L66150287	Plate (guide)				
8	2	L66150285	Rod				
9	2	L66150286	Slide				
10	2	L66150368	Compensator				



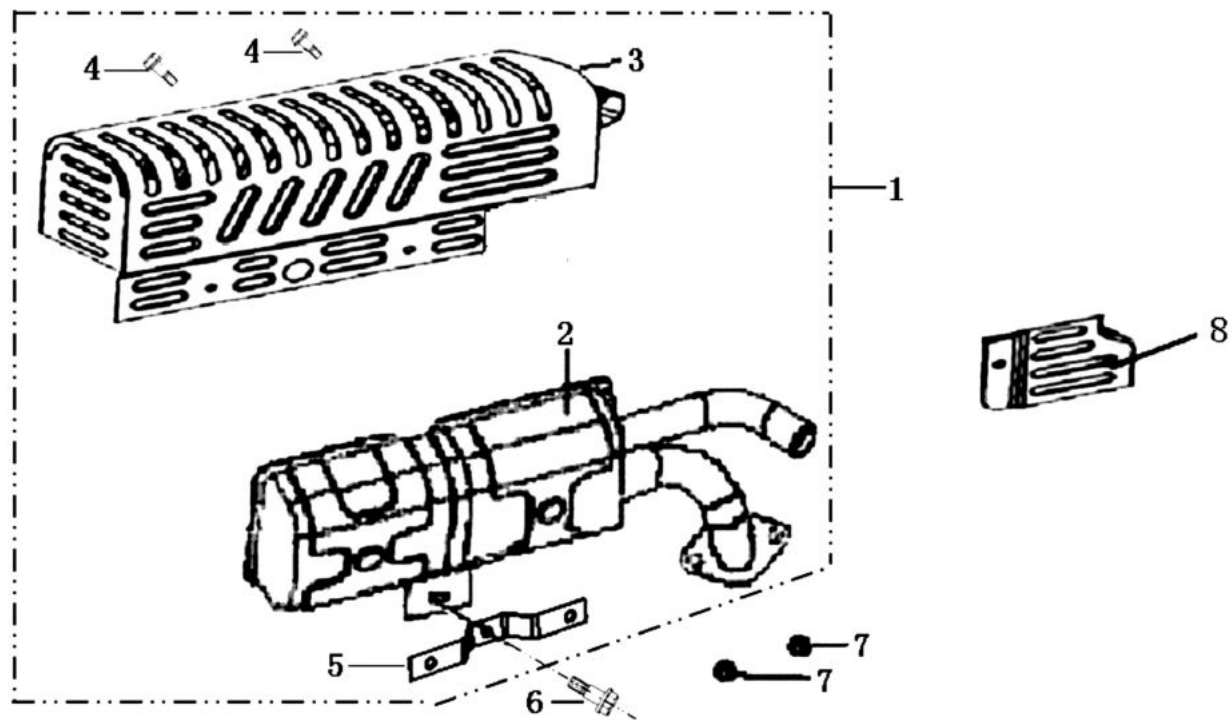
изображение Flywheel and coil

Ref.Nu	Qty	Part number	Description	Validity from	Validity till	Notes	Bulletin
1	1	L66150314	Ignition coil				
2	2	L66150371	Spark plug cap				
3	1	L66150321	Screw				
4	1	L66150313	Flywheel				
5	1	L66150288	Fan				
6	1	L66150312	Pulley				
7	1	L66150376	Nut				



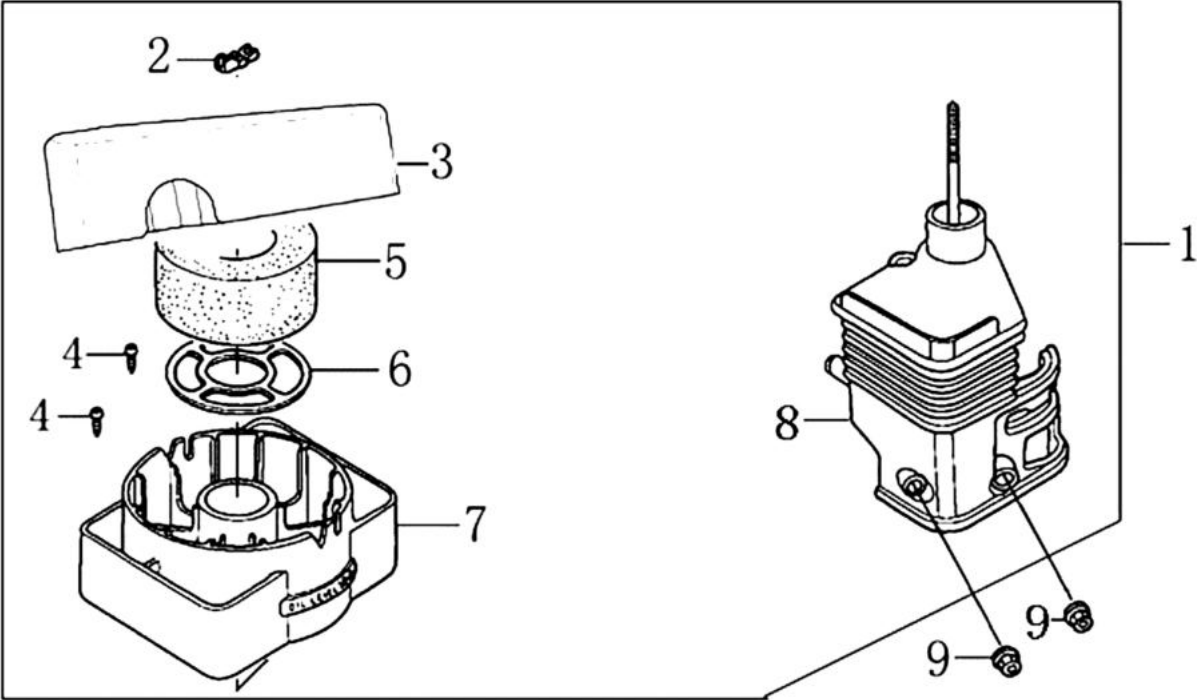
изображение Control lever

Ref.Nu	Qty	Part number	Description	Validity from	Validity till	Notes	Bulletin
1	1	L66150377	Complete lever				
2	1	L66150378	Fairled				
3	1	L66150379	Screw				
4	1	L66150380	Spring				
5	1	L66150381	Screw				
6	1	L66151253	Spring				
7	1	L66150382	Screw				
8	1	L66150185	Nut				
9	1	L66150301	Arm				
10	1	L66150300	Spring				
11	1	L66150298	Throttle rod				



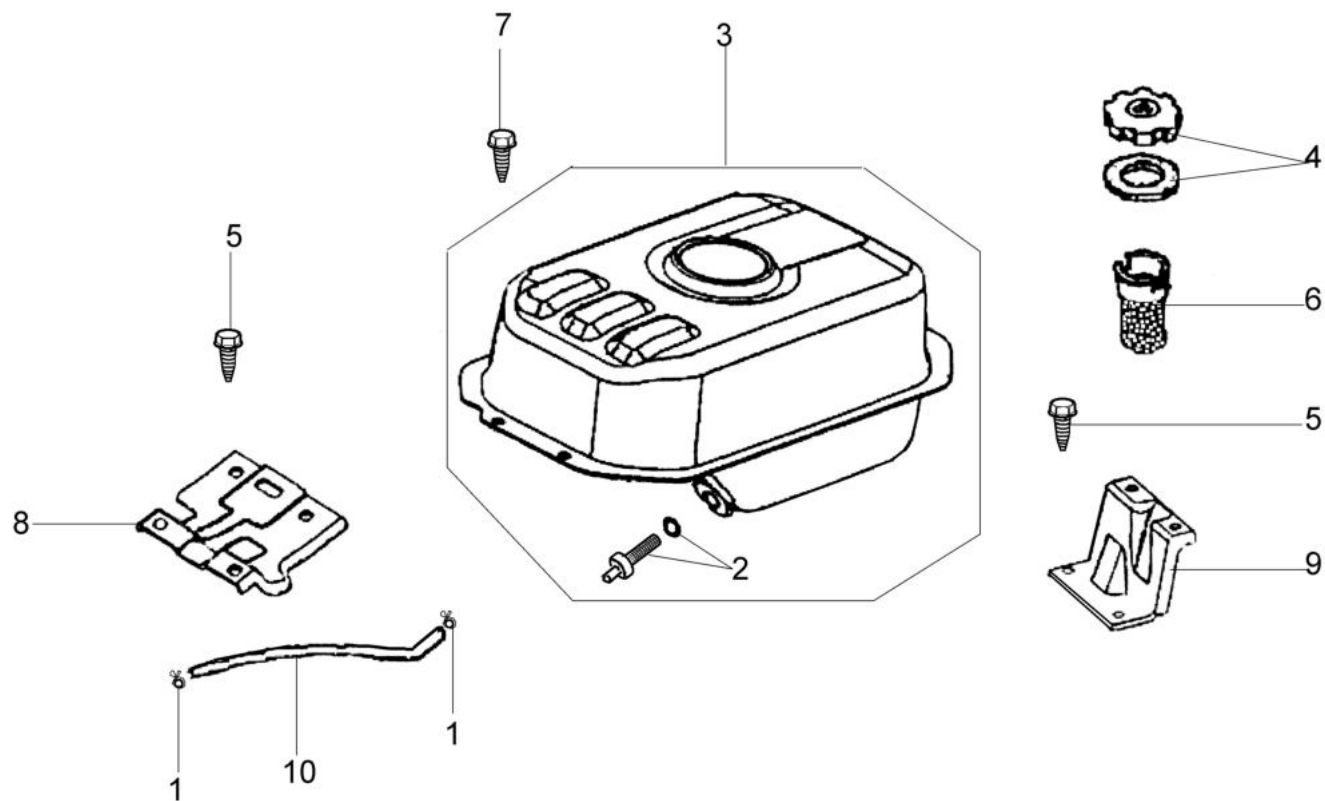
изображение Muffler

Ref.Nu	Qty	Part number	Description	Validity from	Validity till	Notes	Bulletin
1	1	L66150308	Muffler assy				
2	1	L66150345	Muffler				
3	1	L66150346	Exhaust guard				
4	1	L66150347	Screw				
5	1	L66150349	Support				
6	2	L66150317	Screw				
7	1	320000028R	Nut				
8	1	L66150310	Guard				



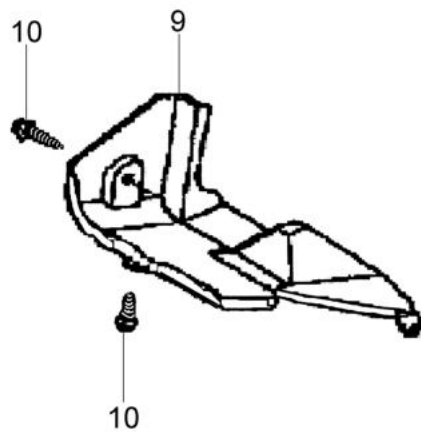
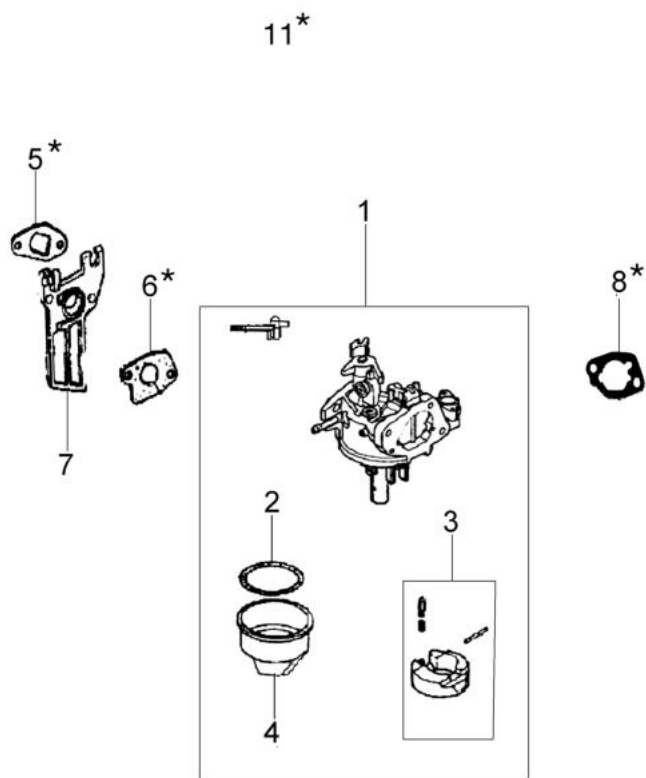
изображение Air filter

Ref.Nu	Qty	Part number	Description	Validity from	Validity till	Notes	Bulletin
1		L66150307	Air filter kit				
2	1	L66150384	Nut				
3	1	L66150385	Cover				
4	2	L66150386	Screw				
5	1	L66150387	Filter				
6	1	L66150388	Grid				
7	1	L66150389	Filter support				
8	1	L66150390	Fitting				
9	2	L66150185	Nut				



изображение Tank

Ref.Nu	Qty	Part number	Description	Validity from	Validity till	Notes	Bulletin
1	1	L66150328	Band				
2	1	L66150295	Fitting				
3	1	L66151235	Complete tank				
4	1	L66150297	Cap				
5	4	L66150321	Screw				
6	1	L66150296	Fuel filter				
7	4	L66150322	Screw				
8	1	L66150306	Support				
9	1	L66150305	Support				
10	1	L66150327	Fuel line				



изображение Carburetor and deflector

Ref.Nu	Qty	Part number	Description	Validity from	Validity till	Notes	Bulletin
1	1	L66150289A	Carburetor				
2	1	L66150370	Gasket				
3	1	L66150369	Float				
4	1	L66150375	Tank				
5	1	L66150291	Gasket				
6	1	L66150290	Gasket				
7	1	L66150293	Insulator				
8	1	L66150292	Gasket				
9	1	L66150340	Cover				
10	2	L66150339	Screw				
11	1	L66150618	Gasket set				