

## MH 180RK (K700 H - SN T210) (EN709) Rotary tiller



### Документы

Handle-bar adjustable and control box

---

Frame (Handle-bar adjustable)

---

Hoods

---

Gears

---

Tiller

---

Cylinder head

---

Ignition system

---

Crankcase

---

Crankcase cover

---

Crankshaft and piston

---

Valve and governor

---

Flywheel and coil

---

Control lever

---

Muffler

---

Air filter

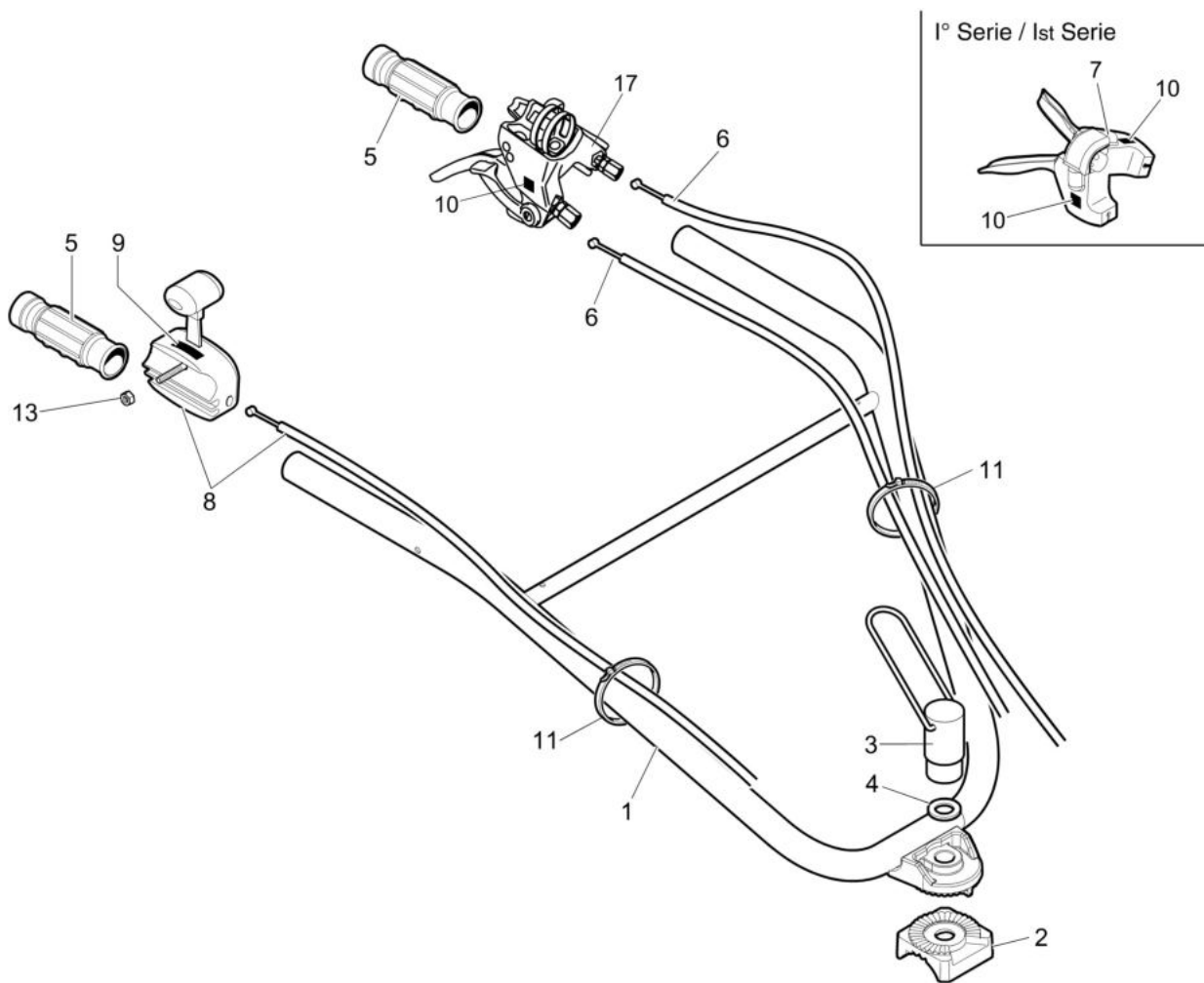
---

Tank

---

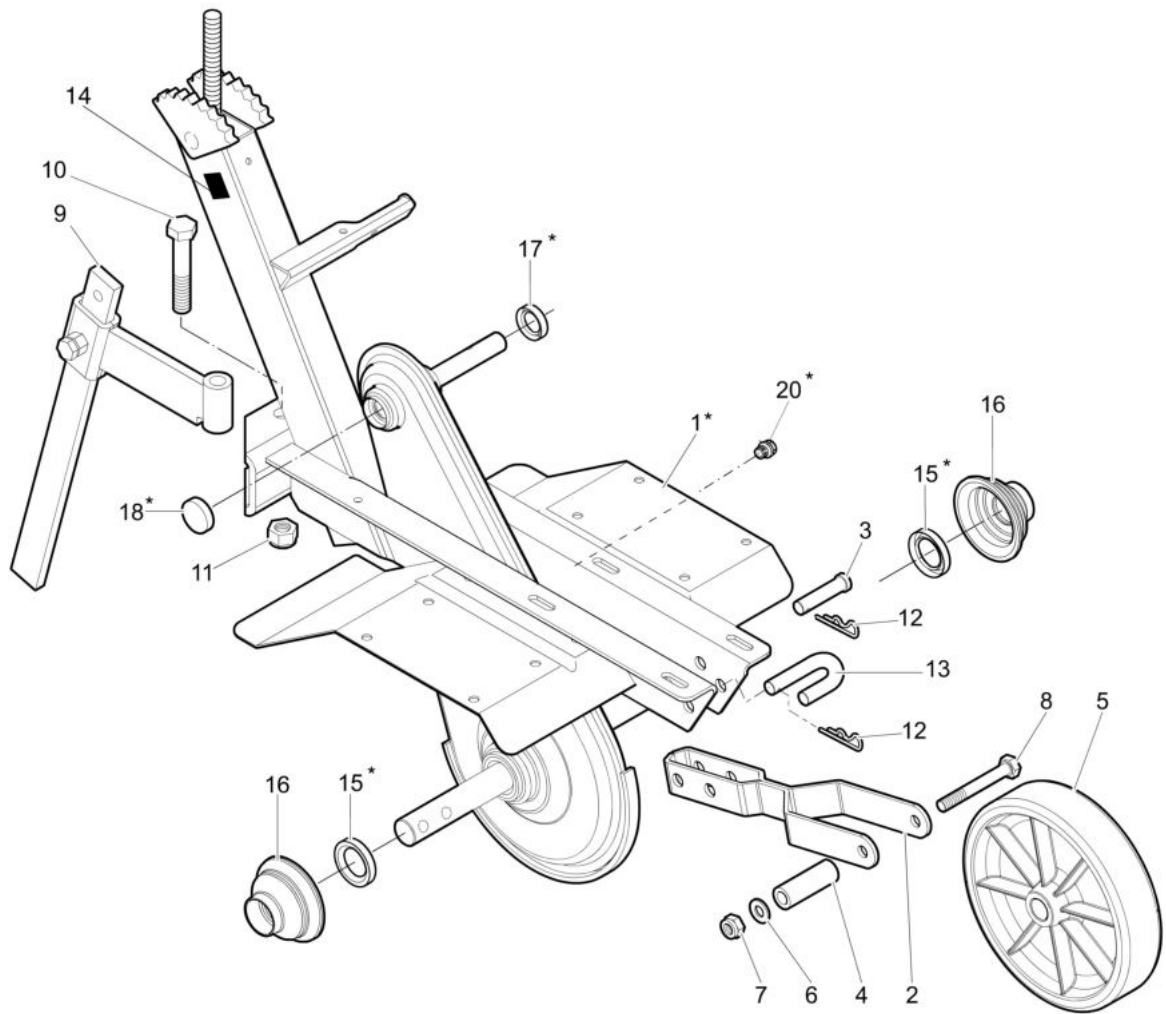
Carburetor and deflector

---



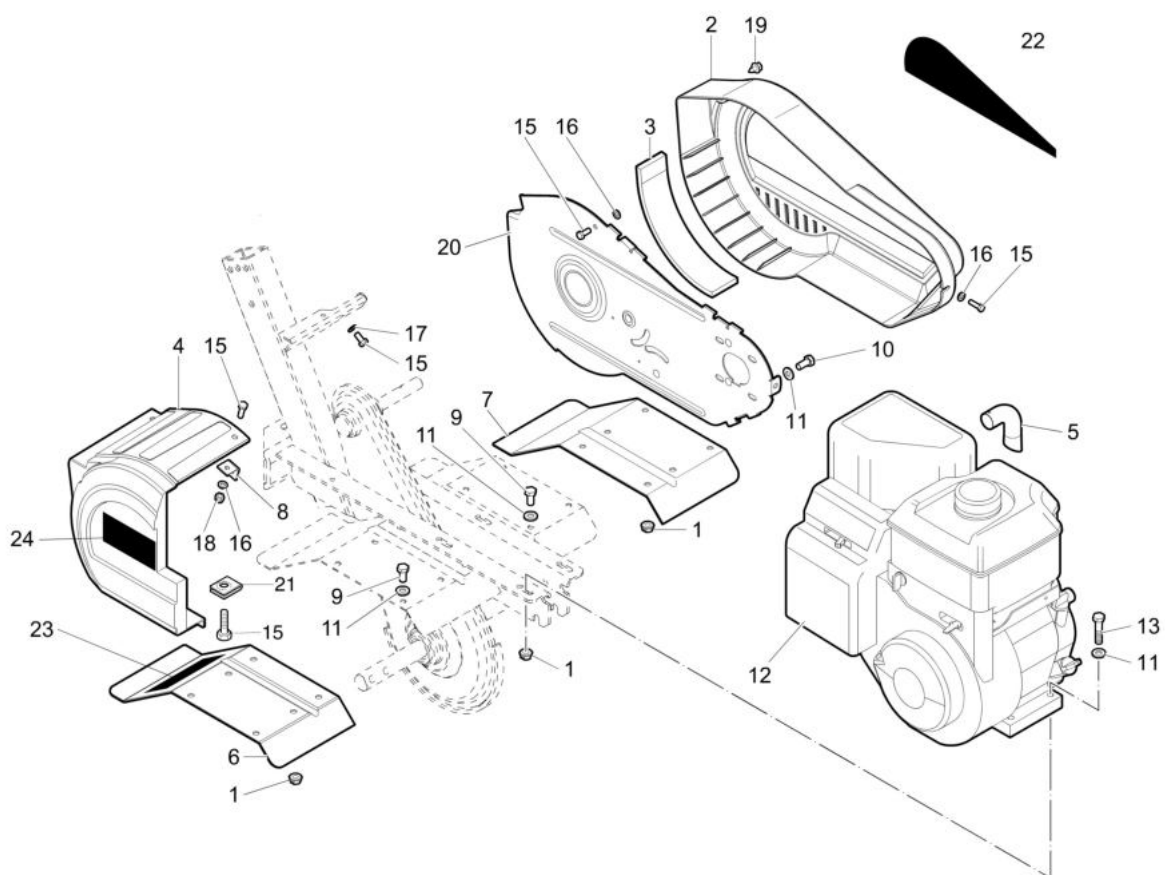
## изображение Handle-bar adjustable and control box

Ref.Nu	Qty	Part number	Description	Validity from	Validity till	Notes	Bulletin
1	1	68690067	Handlebar				
2	1	YF1231651	Serrated plate				
3	2	YF1231634	Lever				
4	1	YF1231635	Washer				
5	2	YN2847410	Handle start	01/2011		EN 709	BT9-005-04/12
6	2	68690062R	Transmission	SN B353102094		Avanzamento; Forward	BT9-006-12/13
7	1	68690029R	Lever (double) START	01/2011	SN B353102093	Con blocco di sicurezza; With safety block EN 709	BT9-005-04/12, BT9-006-12/13
8	1	YF1231708	Throttle			GC 135; GC160; B&S	
8	1	68690021R	Throttle			GX 160 UE; GX 160 Extra UE; Emak K800H	
9	1	YN5380100	Plate (Accelerator)			Su richiesta; Upon request	
10	1	YN5380670	Plate (Yaw)			Su richiesta; Upon request	
11	2	YN1764000	Band				
13	1	3914006R	Nut				
17	1	68690068R	Lever (double)	SN B353102094			BT9-006-12/13



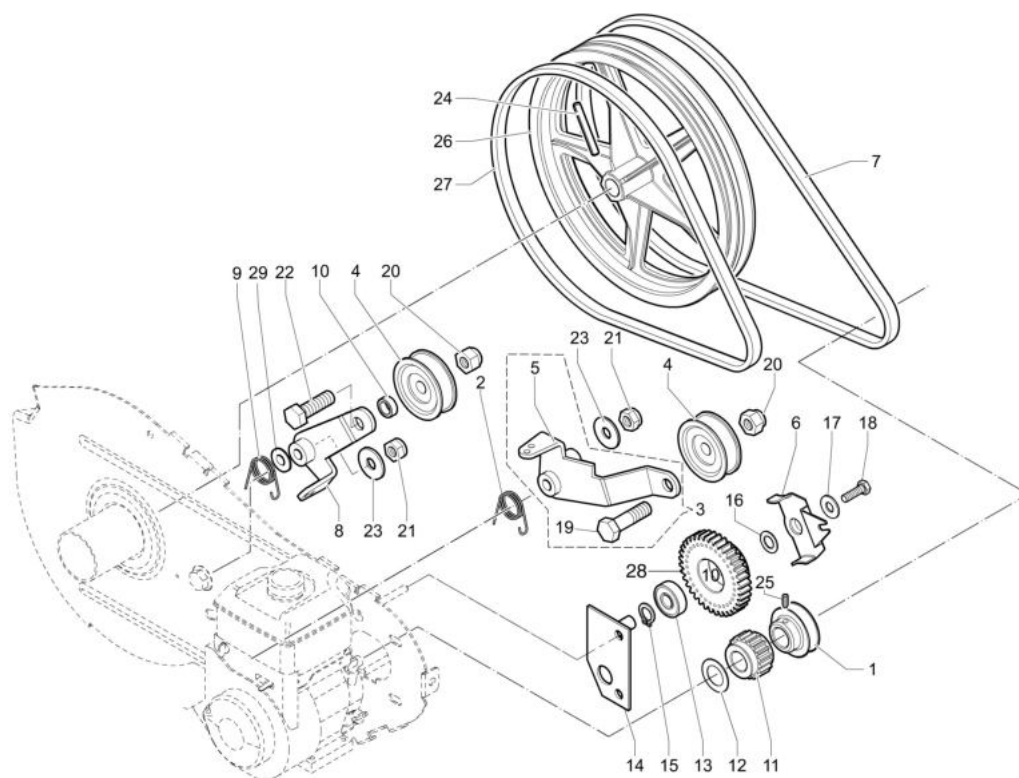
## изображение Frame (Handle-bar adjustable)

Ref.Nu	Qty	Part number	Description	Validity from	Validity till	Notes	Bulletin
1	1	68692007	Frame (protection + cap)				
2	1	68690011	Support (wheel)				
3	1	YF1231625	Pin				
4	1	YF1231669	Spacer				
5	1	400400300R	Wheel				
6	1	3916010R	Washer				
7	1	3914014R	Nut				
8	1	YN6358200	Screw				
9	1	68690010	Drag bar				
10	1	YN6433110	Screw				
11	1	YN1476760	Nut				
12	2	YN5135700	Cotter pin				
13	1	YF1231624	U-bolt				
14	1	N5388666	Plate CE			Su richiesta; Upon request	
16	2	YF1233106	Guard				
15	2	3050046R	Seal ring				
17	1	YN0205400	Ring				
18	1	YN5269990	Cap				
20	1	YN5254000	Oil cap				



## изображение Hoods

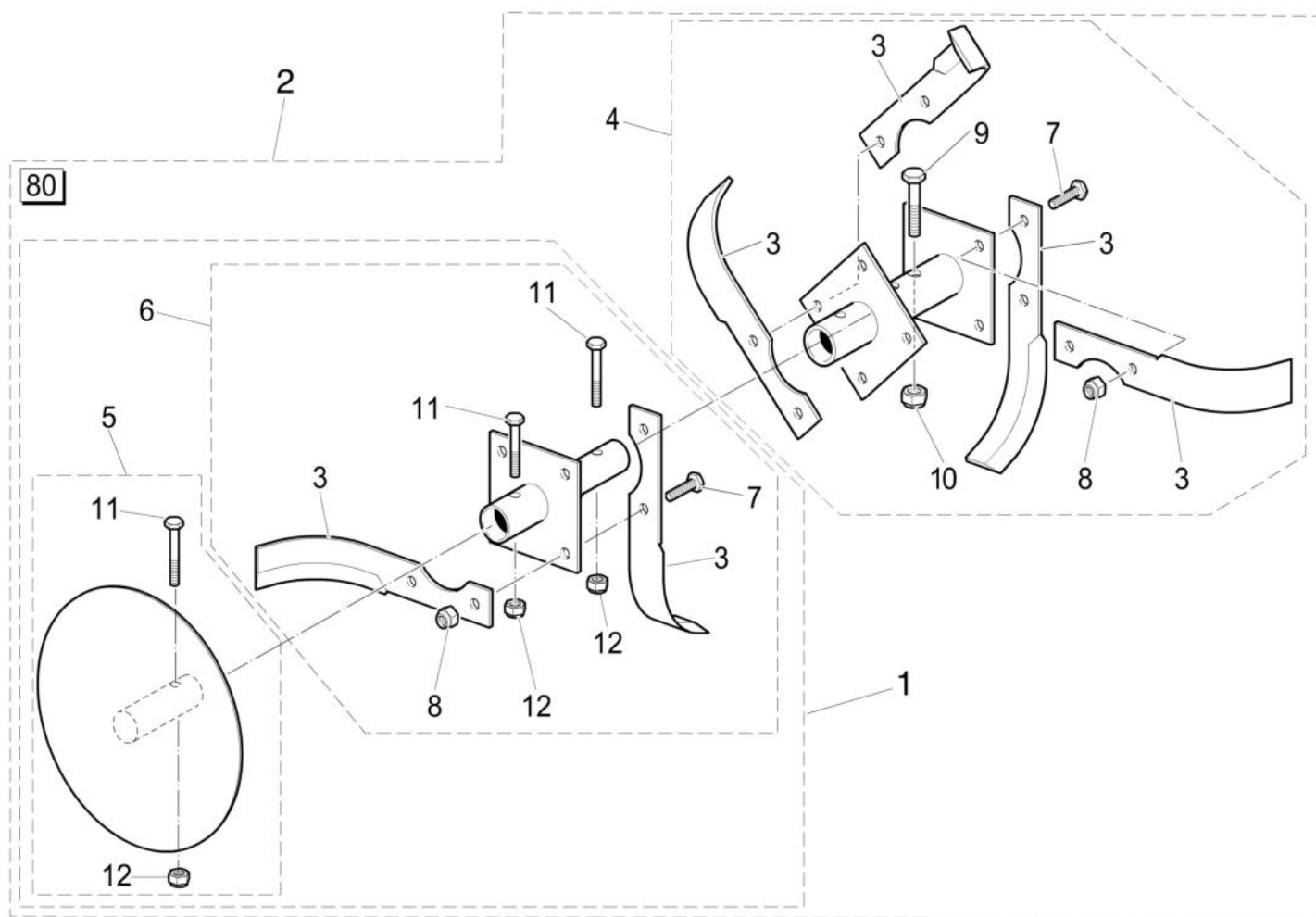
Ref.Nu	Qty	Part number	Description	Validity from	Validity till	Notes	Bulletin
1	12	YN1457570	Nut				
2	1	68670021ER	Hood				
3	1	F1232205R	Rubber profile		01/2010		
4	1	68670022R	Hood				
5	1	F1230002	Grip-end			GX 160 UE; GX 160 Extra	
6	1	YF1232164A	Extension			UE; Emak K800H; GC 135	
7	1	YF1232165	Extension				
8	1	YF1232108	Support				
9	1	YN6254600	Screw				
10	1	3933034AR	Screw			Emak K800H	
10	1	YN6243940	Screw			GC 160; GX 160 UE; GX 160	
11	1	3916008R	Washer			Extra UE; B&S DOV800;	
12	1	3075156	Engine			B&S INTFK OHV 6.5 Fextra	
13	1	3806076R	Screw			Emak K800H	
15	1	301000042R	Screw				
16	1	YN4361900	Washer				
17	1	YN4361900	Washer				
18	1	YN1727050	Nut				
19	1	N3752100	Wing nut				
20	1	F1232126	Plate				
21	1	YN1727050	Nut				
22	1	YF1232182	Plate			MH 180R; Su richiesta;	
22	1	68690042R	Labels kit			MH 180RK; Su richiesta;	
23	1	YF1233111	Plate (danger)			Upon request	
24	1	YF1232187	Plate			Su richiesta; Upon request	
24	1	68690042R	Labels kit			MH 180R; Su richiesta;	
						Upon request	
						MH 180RK; Su richiesta;	
						Upon request	





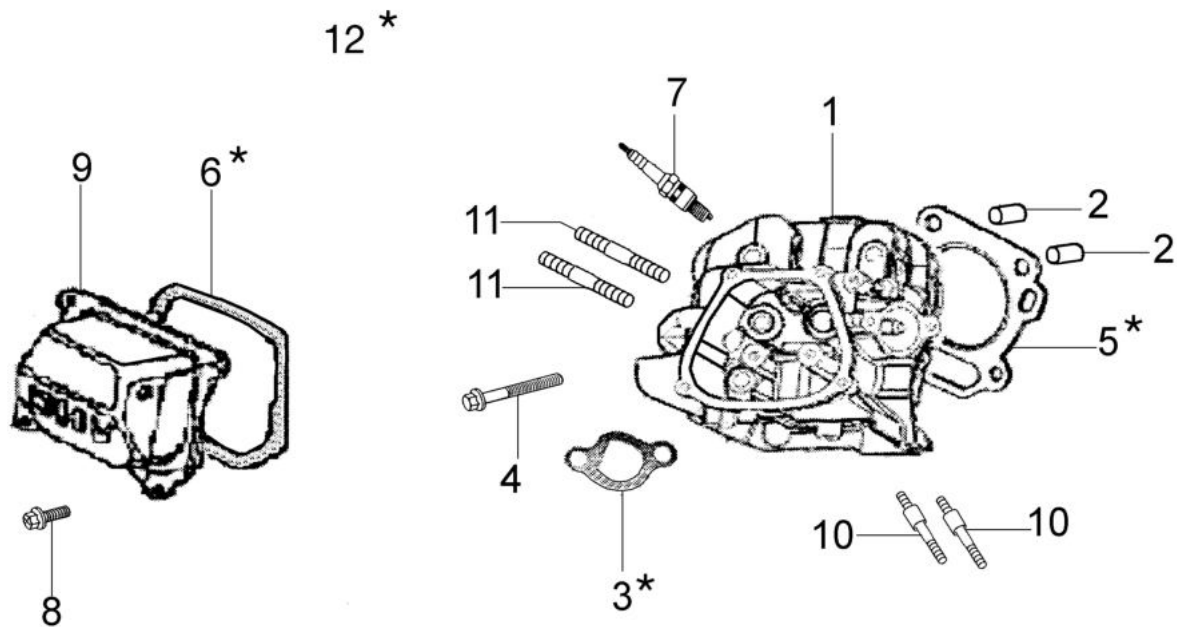
## изображение Gears

Ref.Nu	Qty	Part number	Description	Validity from	Validity till	Notes	Bulletin
1	1	YF1231607	Pulley				
2	1	YF1231613	Spring				
3	1	68692005	Lever group				BT9-003-11/10
4	1	YF1231615	Bearing				
5	1	68690030R	Jockey roll leve				BT9-003-11/10
6	1	YF1231646	Plate				
7	1	YF1231609	Belt				
8	1	YF1231616	Lever				
9	1	YF1231640	Spring				
10	1	YF1231619	Spacer				
11	1	ES360020180R	Gear				
12	1	YF1231648	Spacer				
13	1	YN1252350	Bearing				
14	1	YF1231644	Plate				
15	1	3024012R	Snap ring				
16	1	YN5001750	Thickness				
17	1	YN4357000	Washer				
18	1	301000042R	Screw				
19	1	YN6370300	Screw				BT9-003-11/10
20	1	YN1470200	Nut				
21	1	3914014R	Nut				
22	1	YN6387950	Screw				
23	1	YN4382550	Washer				
24	1	YN5129400	Plug				
25	1	YN6195100	Screw				
26	1	68670056AR	Pulley				
27	1	68670044R	Belt (reverse gear)				BT9-001-03/10
28	1	ES360020180R	Gear				
29	1	3064005AR	Washer				



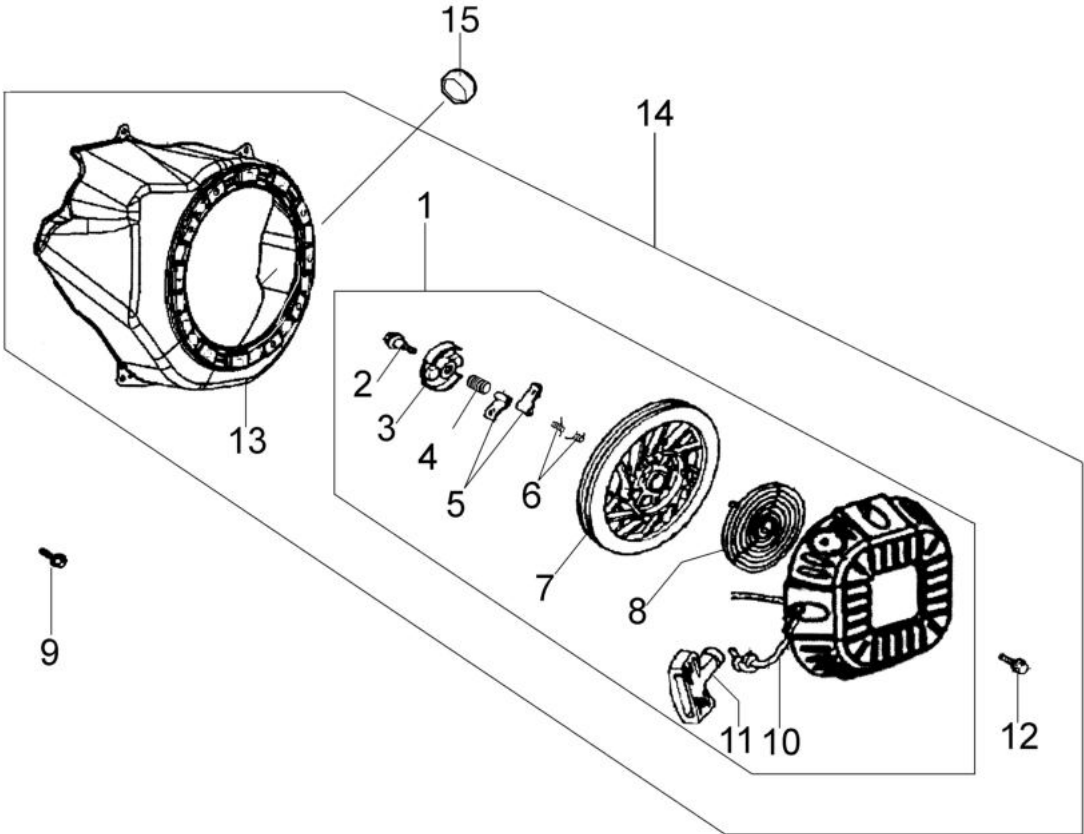
## изображение Tiller

Ref.Nu	Qty	Part number	Description	Validity from	Validity till	Notes	Bulletin
1	1	68620032A	Extension			DX; RIGHT	
1	1	68620033A	Extension			SX; LEFT	
2	1	68622002R	Rotor (complete)			Kit 80 cm composto da:	
3	1	R0000143	Cutters kit			F1233123, DX + F1233124, KIT: F1233102, DX, 10pz + SX: 80 cm set complete	
4	1	68690035R	Tiller			DX; RIGHT	
4	1	68690036R	Tiller			F1233124, LEFT, 10pcs SX; LEFT, 10pcs	
5	1	68620046AR	Disk				
6	1	68620033A	Extension			DX; RIGHT	
6	1	68620032A	Extension			SX; LEFT	
7	12	3933034AR	Screw				
8	12	YN1458020	Nut				
9	2	YN6342900	Screw				
10	2	3914014R	Nut				
11	2	3806076R	Screw				
12	2	3914010R	Nut				



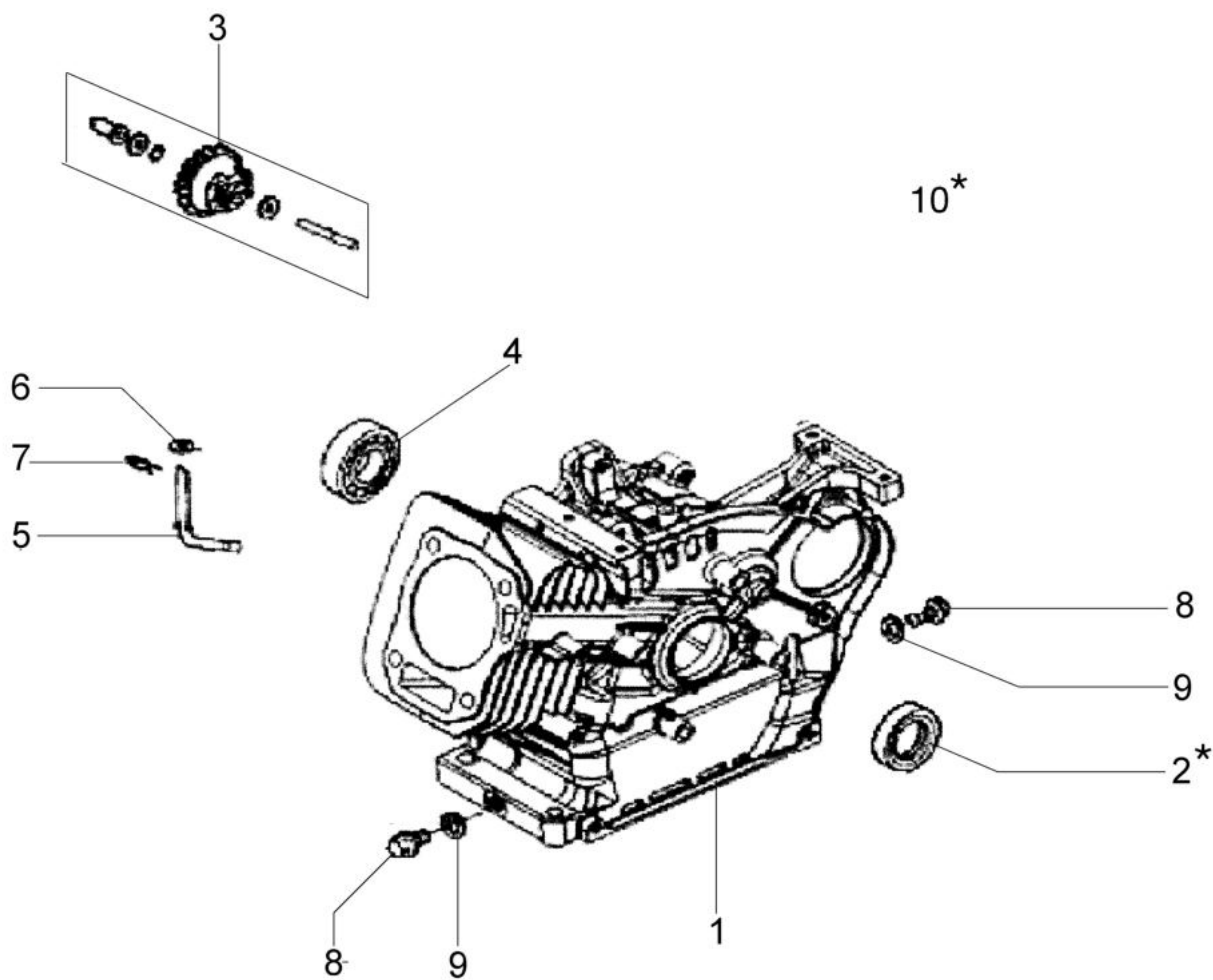
## изображение Cylinder head

Ref.Nu	Qty	Part number	Description	Validity from	Validity till	Notes	Bulletin
1	1	L66150275	Cylinder head				
2	2	L66150350	Plug				
3	1	L66150309	Gasket				
4	4	L66150323	Screw				
5	1	L66150276	Gasket				
6	1	L66150278	Gasket				
7	1	3055123R	Spark plug				
8	4	L66150316	Screw				
9	1	L66150277	Cover				
10	2	L66150241	Stud				
11	2	L66150324	Stud				
12	1	L66150618	Gasket set				



## изображение Ignition system

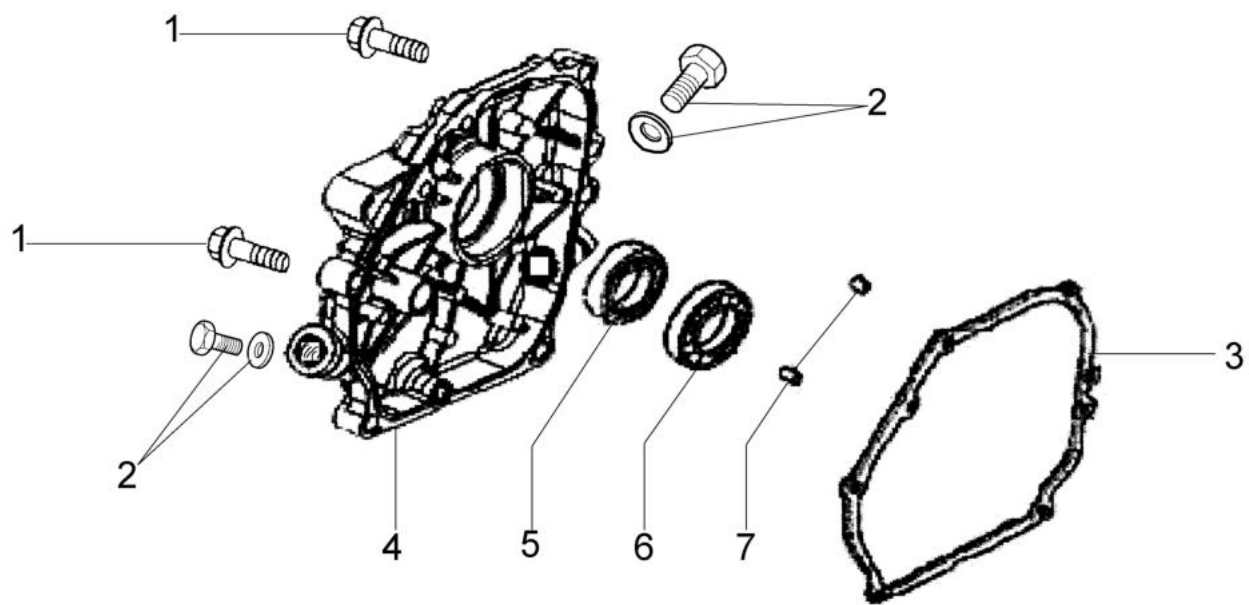
Ref.Nu	Qty	Part number	Description	Validity from	Validity till	Notes	Bulletin
1	1	L66150329	Starter assy				
2	1	L66150330	Fixing screw				
3	1	L66150331	Clutch driver				
4	1	L66150332	Spring				
5	2	L66150263	Pawl				
6	2	L66150264	Spring				
7	1	L66150265	Pulley				
8	1	L66150336	Starter spring				
9	4	L66150316	Screw				
10	1	L66150337	Starter rope				
11	1	L66150103	Starter handle				
12	4	L66150339	Screw				
13	1	L66150391	Fan cover				
14	1	L66150374	Starter assy				
15	1	L66150474	Cap				





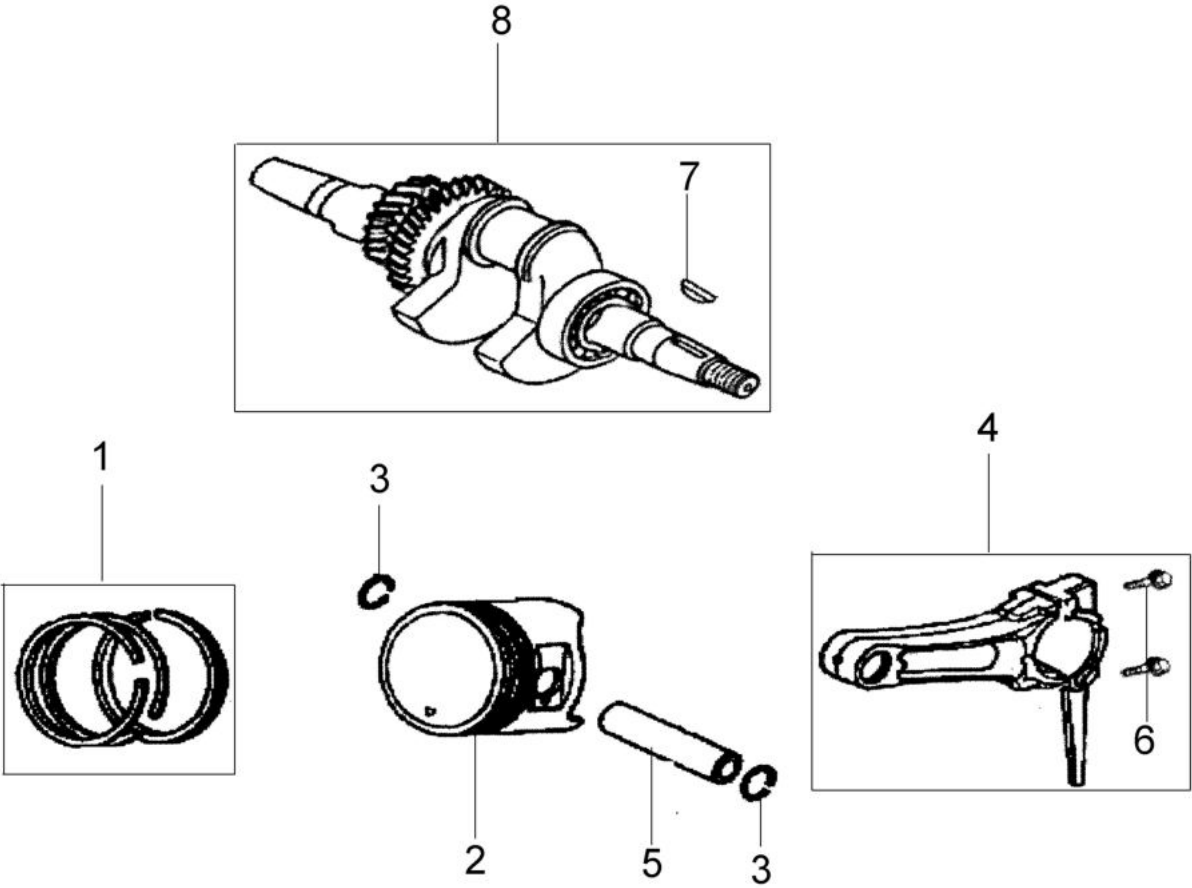
## изображение Crankcase

Ref.Nu	Qty	Part number	Description	Validity from	Validity till	Notes	Bulletin
1	1	L66150272	Cylinder and crankcase				
2	1	L66150326	Ring				
3	1	L66150304	Governor				
4	1	L66150355	Bearing				
5	1	L66150302	Shaft				
6	1	L66150325	Washer				
7	1	L66150353	Plug				
8	2	L66150352	Screw				
9	2	L66150354	Washer				
10	1	L66150618	Gasket set				



## изображение Crankcase cover

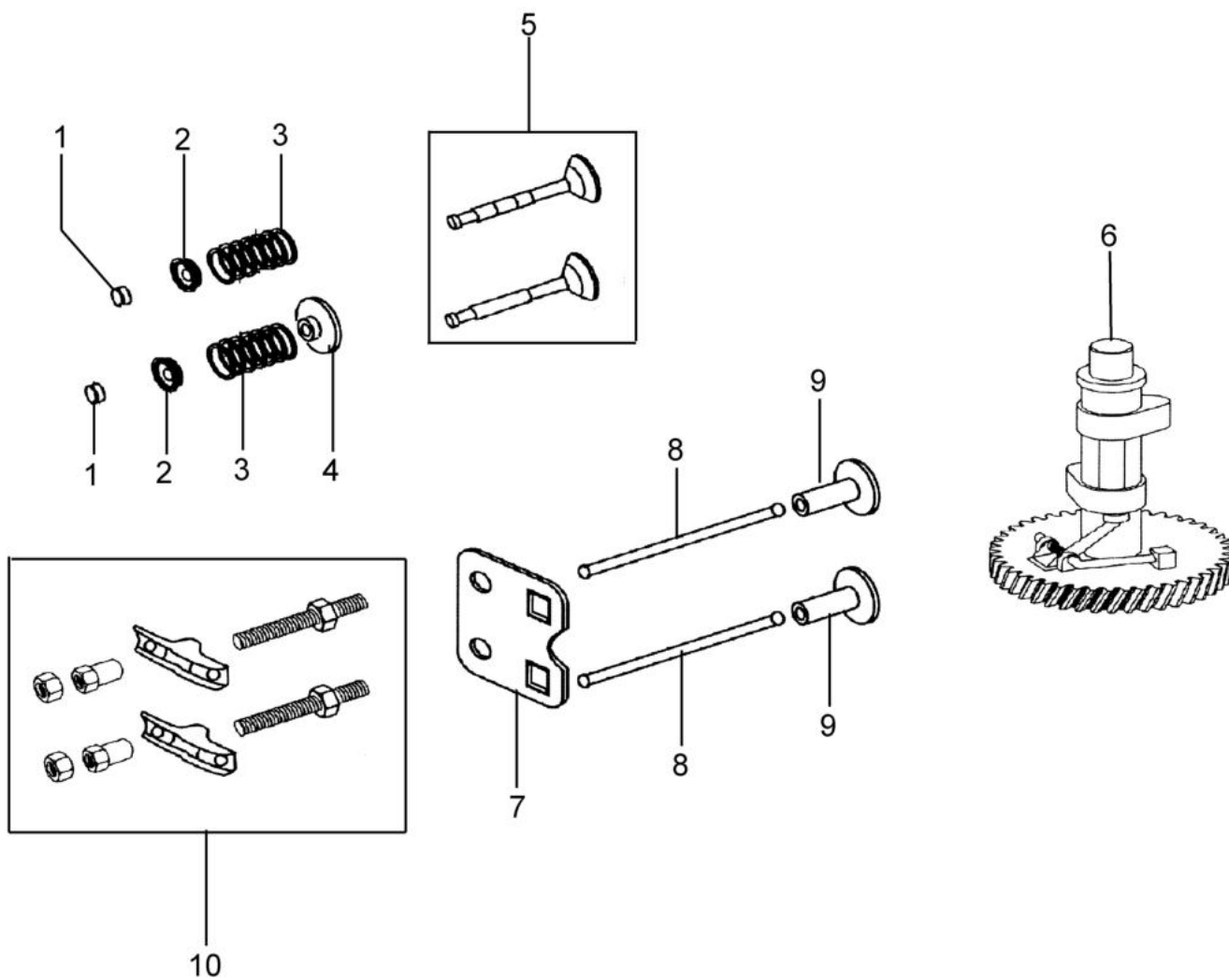
Ref.Nu	Qty	Part number	Description	Validity from	Validity till	Notes	Bulletin
1	7	L66150319	Screw				
2	2	L66151232	Cap				
3	1	L66150274	Gasket				
4	1	L66150273	Crankcase cover				
5	1	L66150326	Ring				
6	1	L66150355	Bearing				
7	2	L66150357	Plug				



## изображение Crankshaft and piston

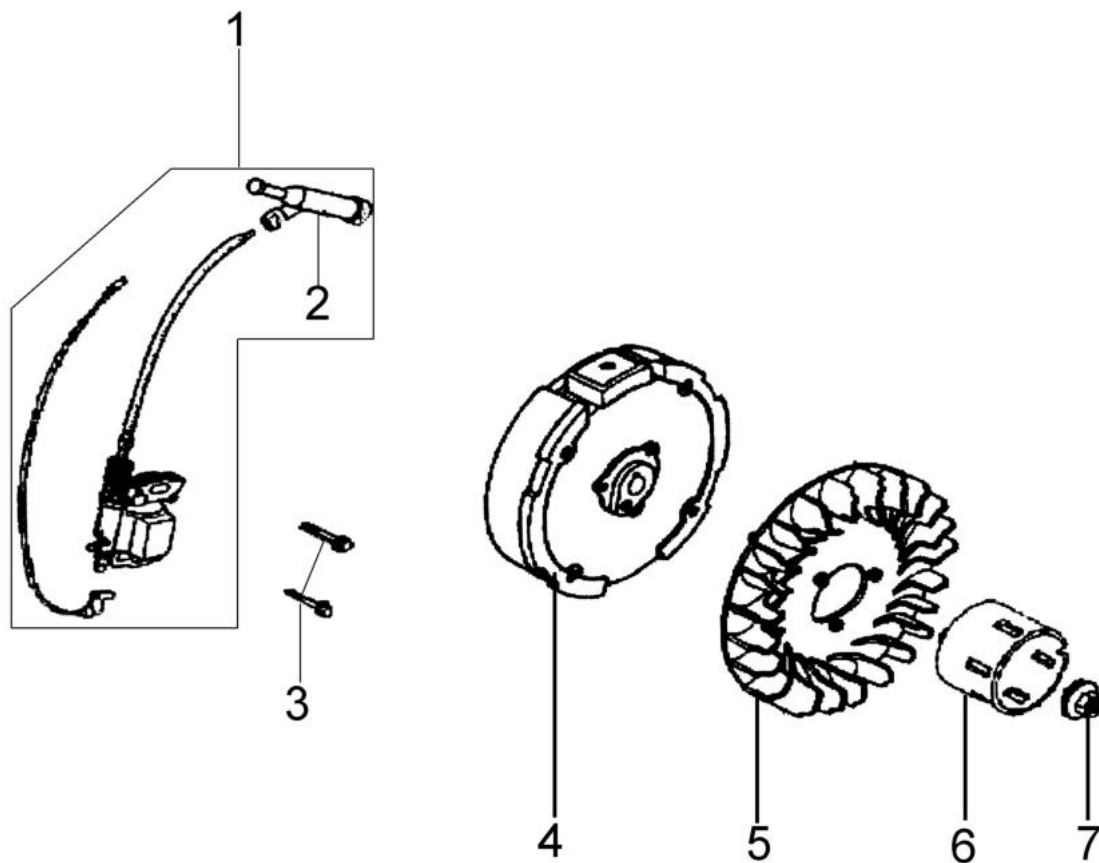
---

Ref.Nu	Qty	Part number	Description	Validity from	Validity till	Notes	Bulletin
1	1	L66150280	Piston ring set				
2	1	L66150279	Piston				
3	2	L66150372	Retainer washer				
4	1	L66150281	Connecting rod cpl.				
5	1	L66150342	Piston pin				
6	2	L66150343	Screw				
7	1	L66150081	Key				
8	1	L66150373	Complete shaft				



## изображение Valve and governor

Ref.Nu	Qty	Part number	Description	Validity from	Validity till	Notes	Bulletin
1	2	L66150364	Valve				
2	2	L66150365	Ring				
3	2	L66150366	Valves spring				
4	1	L66150367	Seal				
5	1	L66151233	Reed valve kit				
6	1	L66150363	Complete shaft				
7	1	L66150287	Plate (guide)				
8	2	L66150285	Rod				
9	2	L66150286	Slide				
10	2	L66150368	Compensator				

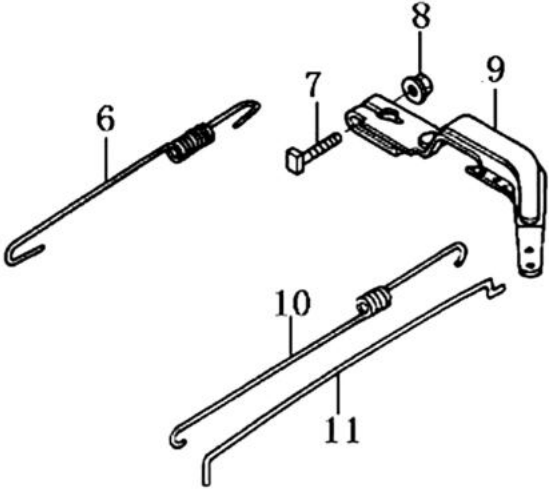
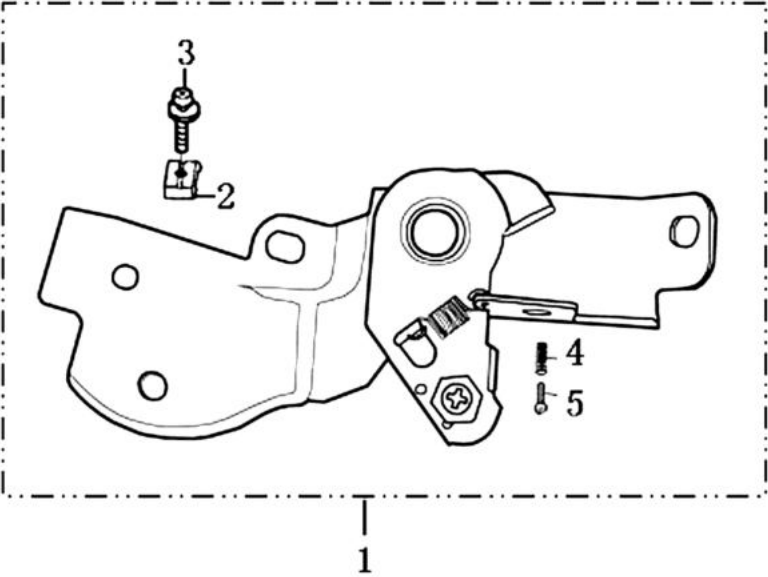




## изображение Flywheel and coil

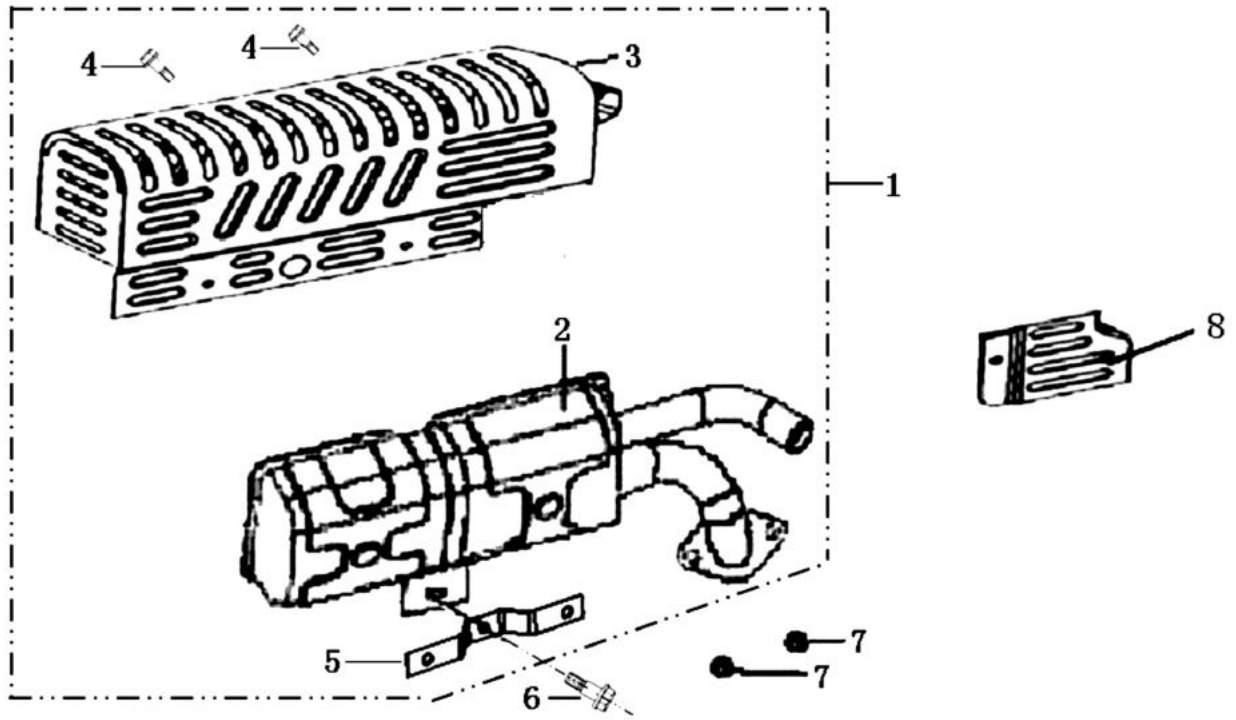
---

Ref.Nu	Qty	Part number	Description	Validity from	Validity till	Notes	Bulletin
1	1	L66150314	Ignition coil				
2	2	L66150371	Spark plug cap				
3	1	L66150321	Screw				
4	1	L66150313	Flywheel				
5	1	L66150288	Fan				
6	1	L66150312	Pulley				
7	1	L66150376	Nut				



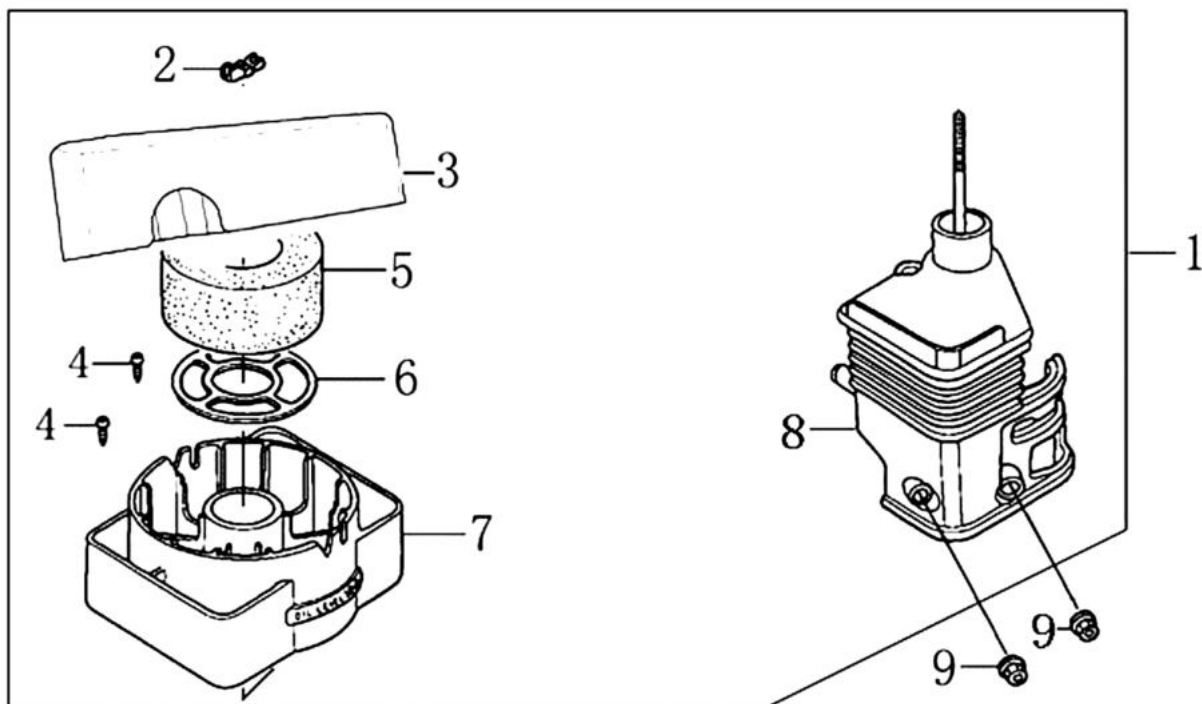
## изображение Control lever

Ref.Nu	Qty	Part number	Description	Validity from	Validity till	Notes	Bulletin
1	1	L66150377	Complete lever				
2	1	L66150378	Fairled				
3	1	L66150379	Screw				
4	1	L66150380	Spring				
5	1	L66150381	Screw				
6	1	L66151253	Spring				
7	1	L66150382	Screw				
8	1	L66150185	Nut				
9	1	L66150301	Arm				
10	1	L66150300	Spring				
11	1	L66150298	Throttle rod				



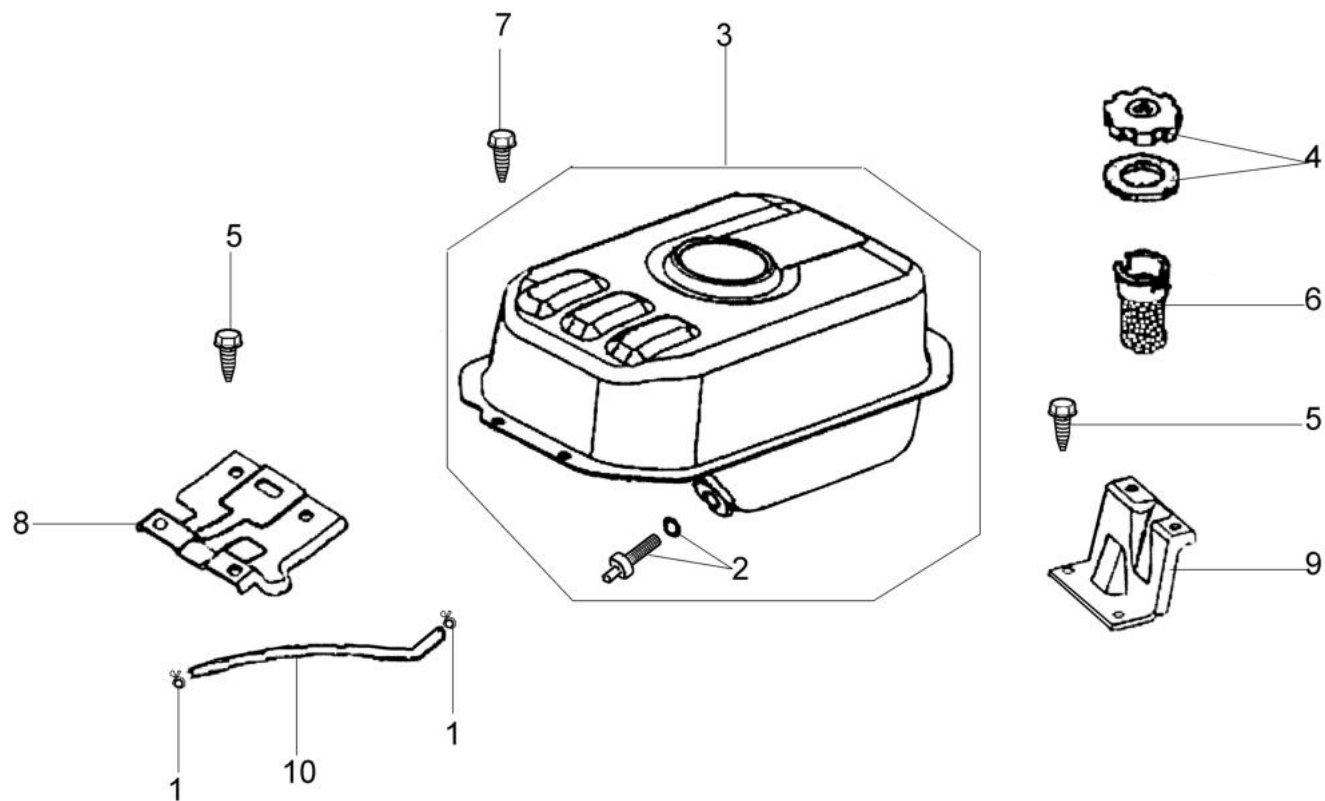
## изображение Muffler

Ref.Nu	Qty	Part number	Description	Validity from	Validity till	Notes	Bulletin
1	1	L66150308	Muffler assy				
2	1	L66150345	Muffler				
3	1	L66150346	Exhaust guard				
4	1	L66150347	Screw				
5	1	L66150349	Support				
6	2	L66150317	Screw				
7	1	320000028R	Nut				
8	1	L66150310	Guard				



## изображение Air filter

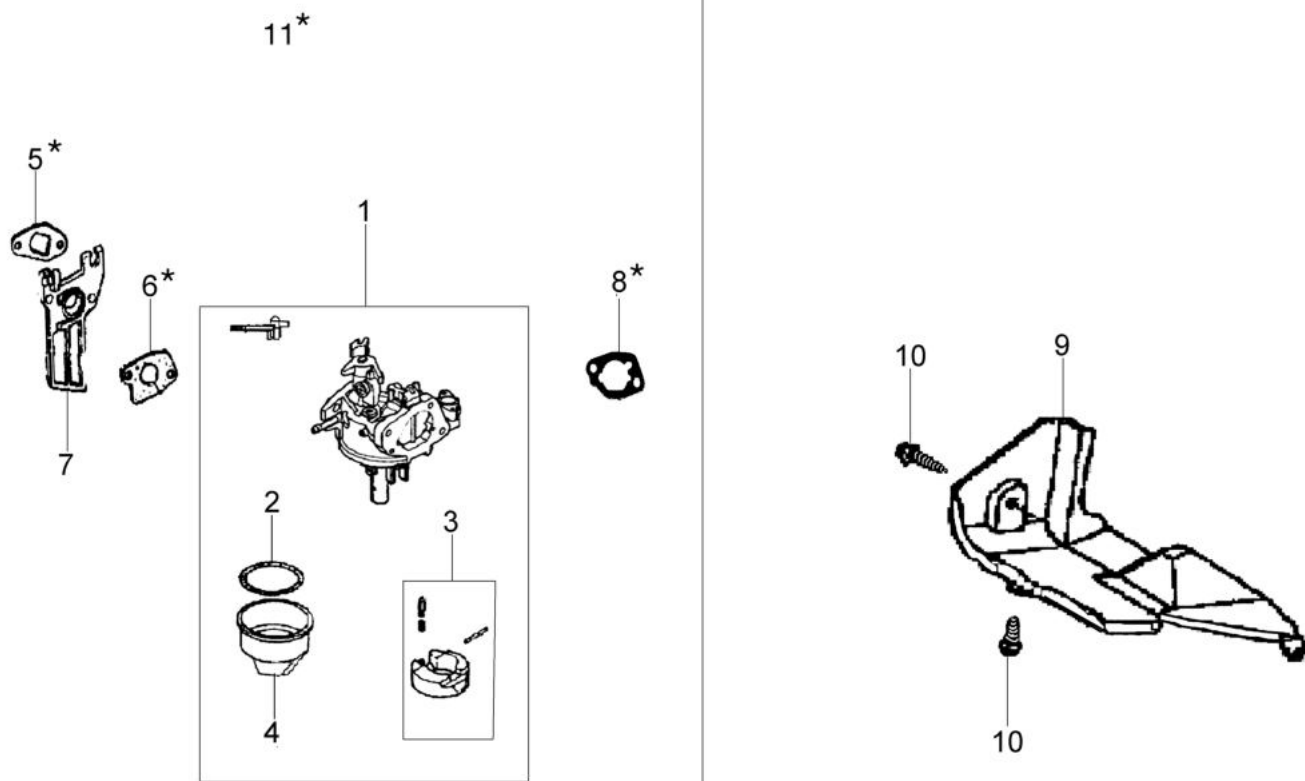
Ref.Nu	Qty	Part number	Description	Validity from	Validity till	Notes	Bulletin
1		L66150307	Air filter kit				
2	1	L66150384	Nut				
3	1	L66150385	Cover				
4	2	L66150386	Screw				
5	1	L66150387	Filter				
6	1	L66150388	Grid				
7	1	L66150389	Filter support				
8	1	L66150390	Fitting				
9	2	L66150185	Nut				





## изображение Tank

Ref.Nu	Qty	Part number	Description	Validity from	Validity till	Notes	Bulletin
1	1	L66150328	Band				
2	1	L66150295	Fitting				
3	1	L66151235	Complete tank				
4	1	L66150297	Cap				
5	4	L66150321	Screw				
6	1	L66150296	Fuel filter				
7	4	L66150322	Screw				
8	1	L66150306	Support				
9	1	L66150305	Support				
10	1	L66150327	Fuel line				



## изображение Carburetor and deflector

Ref.Nu	Qty	Part number	Description	Validity from	Validity till	Notes	Bulletin
1	1	L66150289A	Carburetor				
2	1	L66150370	Gasket				
3	1	L66150369	Float				
4	1	L66150375	Tank				
5	1	L66150291	Gasket				
6	1	L66150290	Gasket				
7	1	L66150293	Insulator				
8	1	L66150292	Gasket				
9	1	L66150340	Cover				
10	2	L66150339	Screw				
11	1	L66150618	Gasket set				