

MH 190R - MH 190RX (EN709) Rotary tiller



Документы

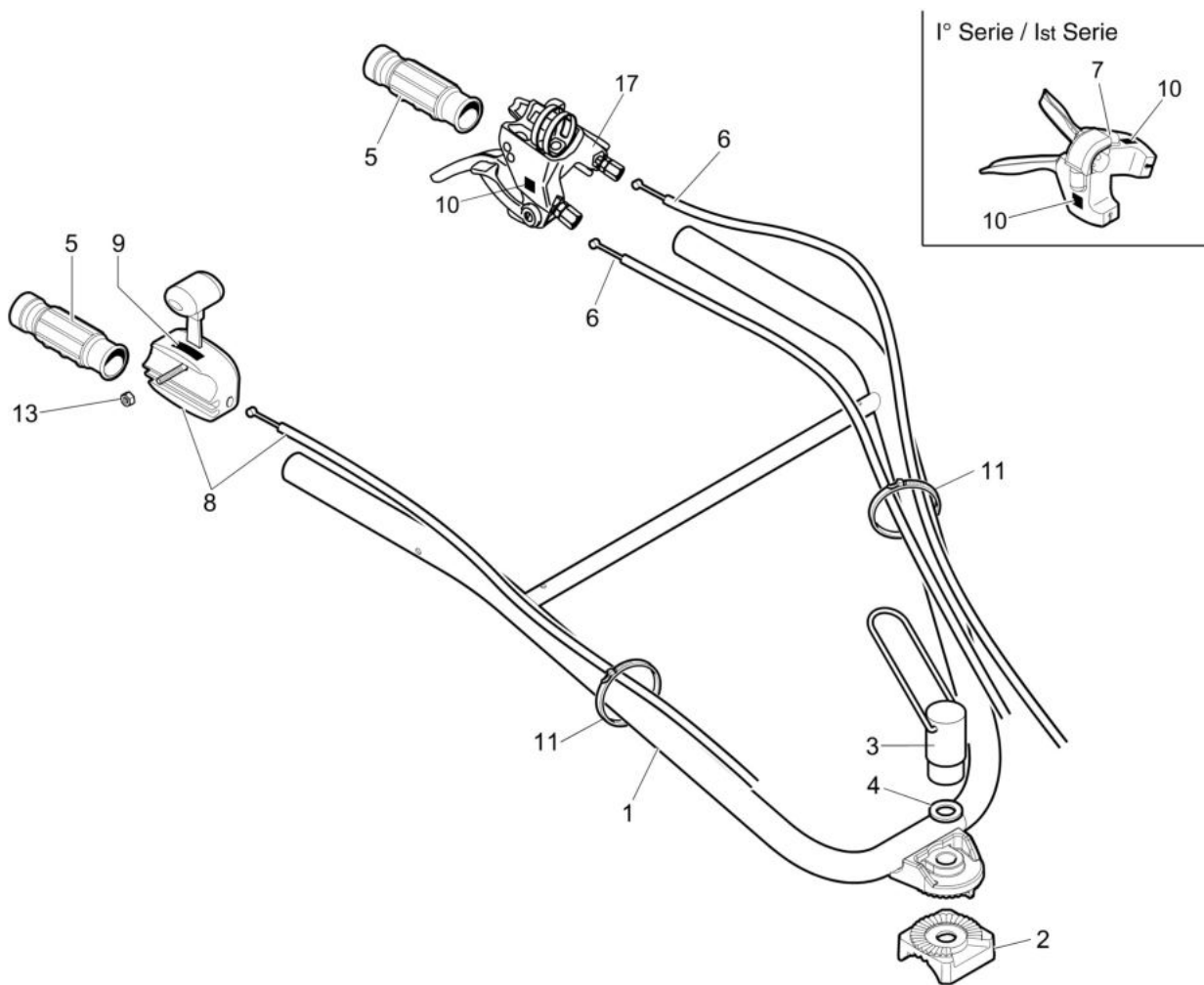
Handle-bar adjustable and control box

Frame (Handle-bar adjustable)

Hoods

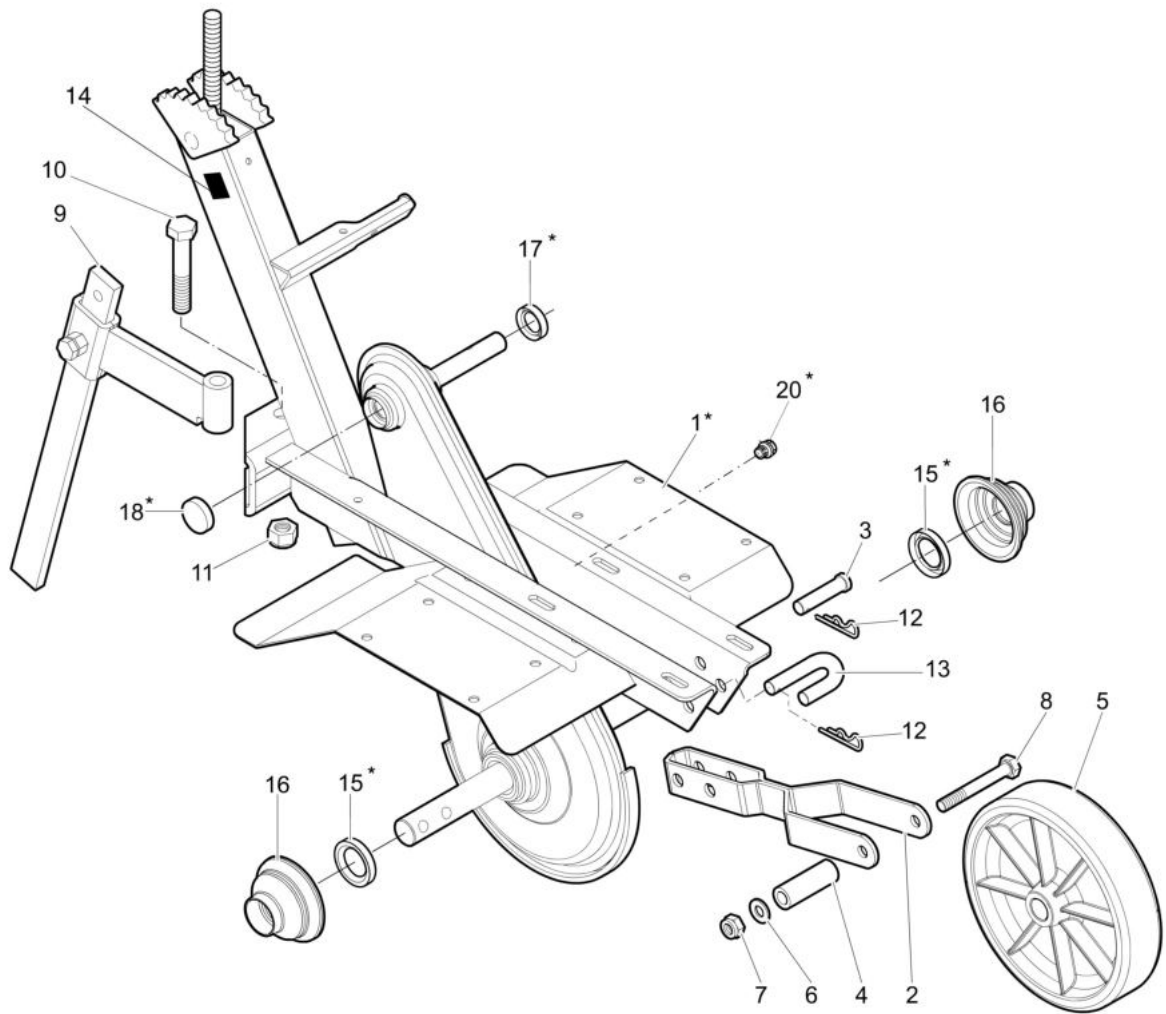
Gears

Tiller



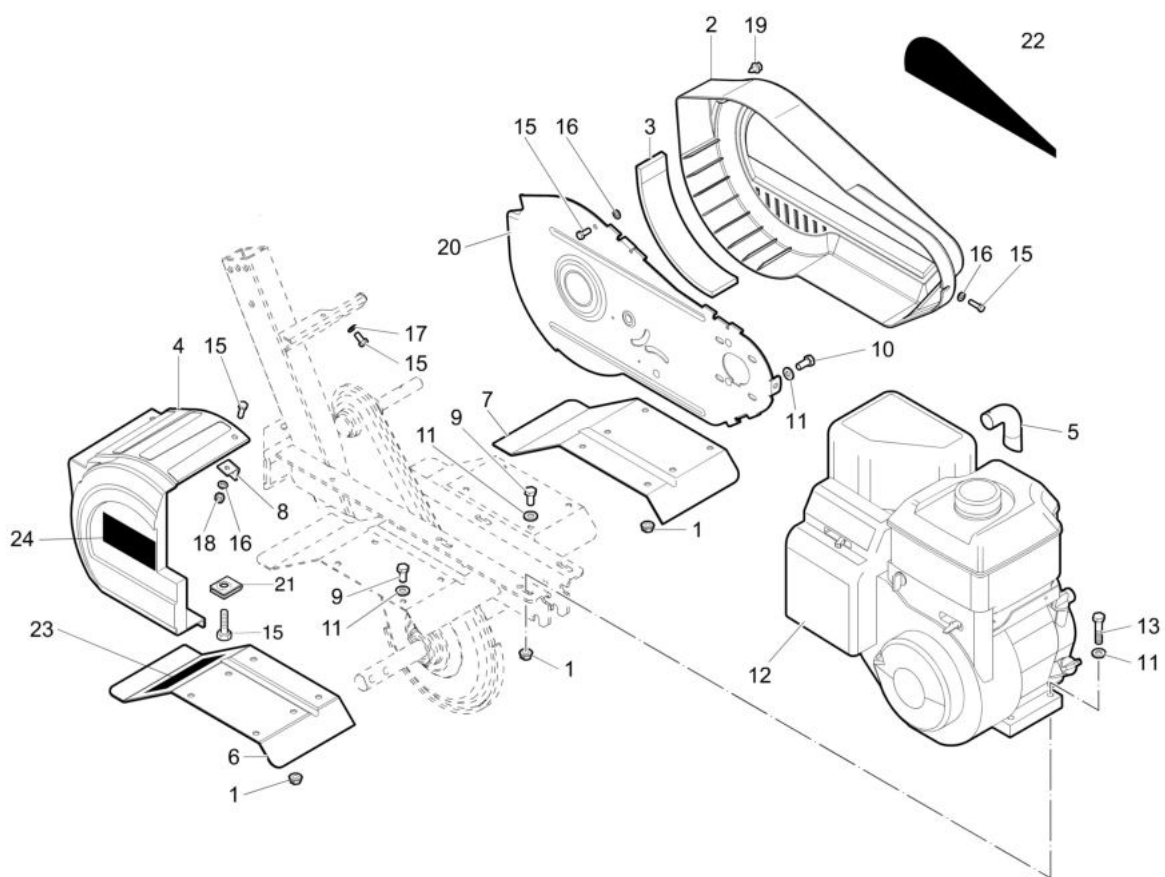
изображение Handle-bar adjustable and control box

Ref.Nu	Qty	Part number	Description	Validity from	Validity till	Notes	Bulletin
1	1	68690067	Handlebar				
2	1	YF1231651	Serrated plate				
3	2	YF1231634	Lever				
4	1	YF1231635	Washer				
5	2	YN2847410	Handle start	01/2011		EN 709	BT9-005-04/12
6	2	68690062R	Transmission	SN B353102094		Avanzamento; Forward	BT9-006-12/13
7	1	68690029R	Lever (double) START	01/2011	SN B353102093	Con blocco di sicurezza; With safety block EN 709	BT9-005-04/12, BT9-006-12/13
8	1	YF1231708	Throttle			GC 135; GC160; B&S	
8	1	68690021R	Throttle			GX 160 UE; GX 160 Extra UE; Emak K800H	
9	1	YN5380100	Plate (Accelerator)			Su richiesta; Upon request	
10	1	YN5380670	Plate (Yaw)			Su richiesta; Upon request	
11	2	YN1764000	Band				
13	1	3914006R	Nut				
17	1	68690068R	Lever (double)	SN B353102094			BT9-006-12/13



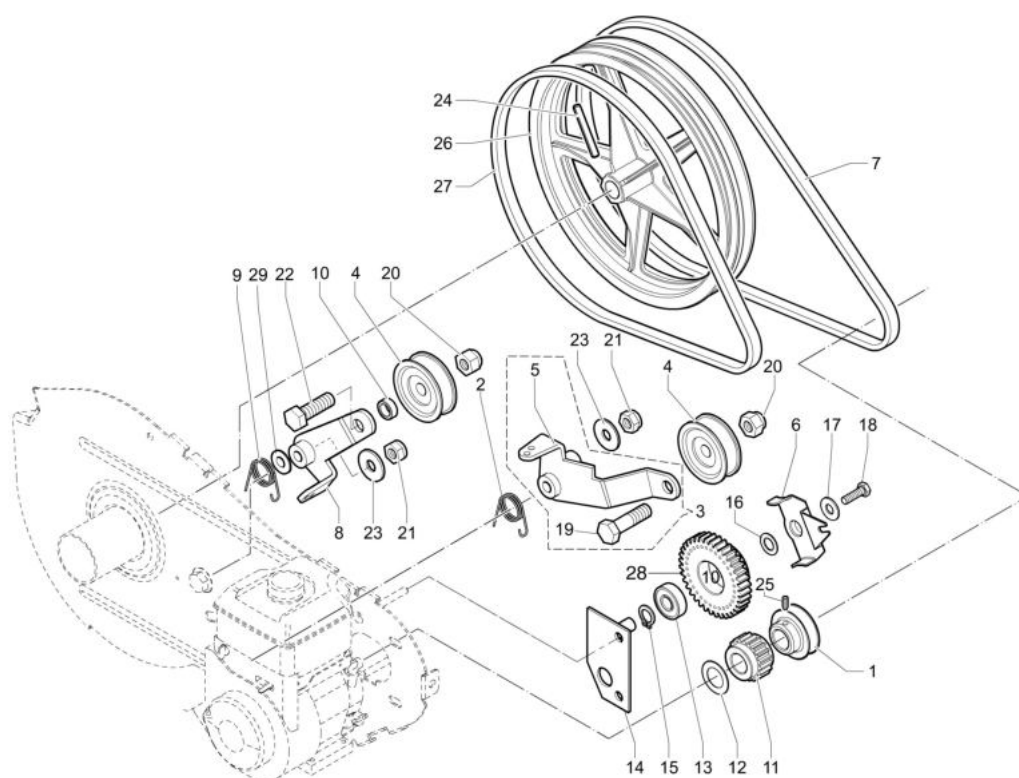
изображение Frame (Handle-bar adjustable)

Ref.Nu	Qty	Part number	Description	Validity from	Validity till	Notes	Bulletin
1	1	68692007	Frame (protection + cap)				
2	1	68690011	Support (wheel)				
3	1	YF1231625	Pin				
4	1	YF1231669	Spacer				
5	1	400400300R	Wheel				
6	1	3916010R	Washer				
7	1	3914014R	Nut				
8	1	YN6358200	Screw				
9	1	68690010	Drag bar				
10	1	YN6433110	Screw				
11	1	YN1476760	Nut				
12	2	YN5135700	Cotter pin				
13	1	YF1231624	U-bolt				
14	1	N5388666	Plate CE				
16	2	YF1233106	Guard				
15	2	3050046R	Seal ring				
17	1	YN0205400	Ring				
18	1	YN5269990	Cap				
20	1	YN5254000	Oil cap				



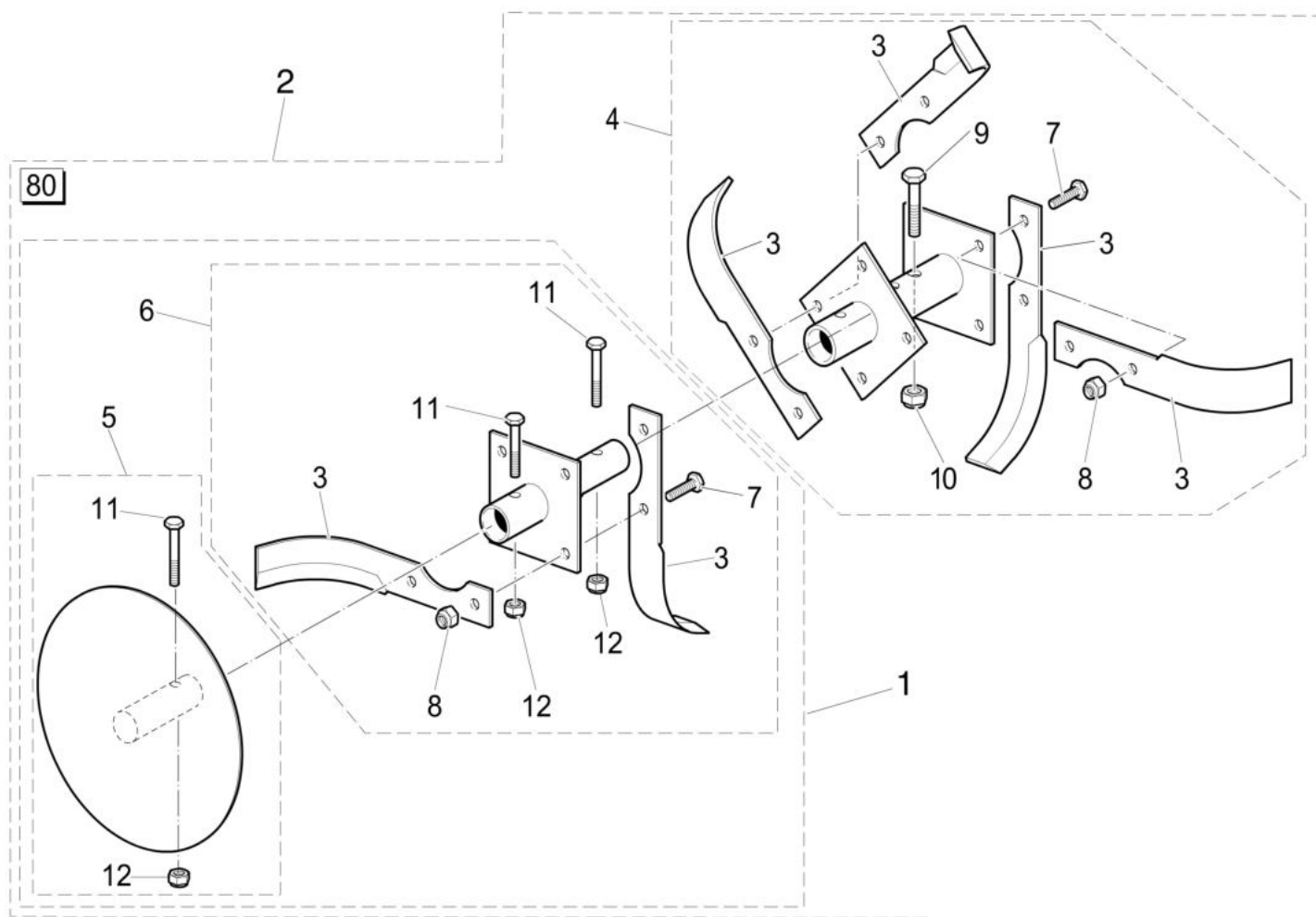
изображение Hoods

Ref.Nu	Qty	Part number	Description	Validity from	Validity till	Notes	Bulletin
1	12	YN1457570	Nut				
2	1	68670021ER	Hood				
3	1	F1232205R	Rubber profile		01/2010		
4	1	68670022R	Hood				
5	1	F1230002	Grip-end			GX 160 UE; GX 160 Extra	
6	1	YF1232164A	Extension			UE; Emak K800H; GC 135	
7	1	YF1232165	Extension				
8	1	YF1232108	Support				
9	1	YN6254600	Screw				
10	1	YN6243940	Screw			GC 160; GX 160 UE; GX 160	
11	1	3916008R	Washer				
12	-	-	Not available for this product			UE; GC 135	
13	1	3806076R	Screw				
15	1	301000042R	Screw				
16	1	YN4361900	Washer				
17	1	YN4361900	Washer				
18	1	YN1727050	Nut				
19	1	N3752100	Wing nut				
20	1	F1232126	Plate				
21	1	YN1727050	Nut				
22	1	YF1232184	Plate			Su richiesta; Upon request	
23	1	YF1233111	Plate (danger)			Su richiesta; Upon request	
24	1	YF1232189	Plate			Su richiesta; Upon request	



изображение Gears

Ref.Nu	Qty	Part number	Description	Validity from	Validity till	Notes	Bulletin
1	1	YF1231607	Pulley				
2	1	YF1231613	Spring				
3	1	68692005	Lever group				BT9-003-11/10
4	1	YF1231615	Bearing				
5	1	68690030R	Jockey roll leve				BT9-003-11/10
6	1	YF1231646	Plate				
7	1	YF1231609	Belt				
8	1	YF1231616	Lever				
9	1	YF1231640	Spring				
10	1	YF1231619	Spacer				
11	1	ES360020180R	Gear				
12	1	YF1231648	Spacer				
13	1	YN1252350	Bearing				
14	1	YF1231644	Plate				
15	1	3024012R	Snap ring				
16	1	YN5001750	Thickness				
17	1	YN4357000	Washer				
18	1	301000042R	Screw				
19	1	YN6370300	Screw				BT9-003-11/10
20	1	YN1470200	Nut				
21	1	3914014R	Nut				
22	1	YN6387950	Screw				
23	1	YN4382550	Washer				
24	1	YN5129400	Plug				
25	1	YN6195100	Screw				
26	1	68670056AR	Pulley				
27	1	68670044R	Belt (reverse gear)				BT9-001-03/10
28	1	ES360020180R	Gear				
29	1	3064005AR	Washer				



изображение Tiller

Ref.Nu	Qty	Part number	Description	Validity from	Validity till	Notes	Bulletin
1	1	68620032A	Extension			DX; RIGHT	
1	1	68620033A	Extension			SX; LEFT	
2	1	68622002R	Rotor (complete)			Kit 80 cm composto da:	
3	1	R0000143	Cutters kit			F1233123, DX + F1233124, KIT: F1233102, DX, 10pz + SX: 80 cm set complete	
4	1	68690035R	Tiller			DX; RIGHT	
4	1	68690036R	Tiller			F1233124, LEFT, 10pcs SX; LEFT, 10pcs	
5	1	68620046AR	Disk				
6	1	68620033A	Extension			DX; RIGHT	
6	1	68620032A	Extension			SX; LEFT	
7	12	3933034AR	Screw				
8	12	YN1458020	Nut				
9	2	YN6342900	Screw				
10	2	3914014R	Nut				
11	2	3806076R	Screw				
12	2	3914010R	Nut				