

MH 190 RXS Rotary tiller



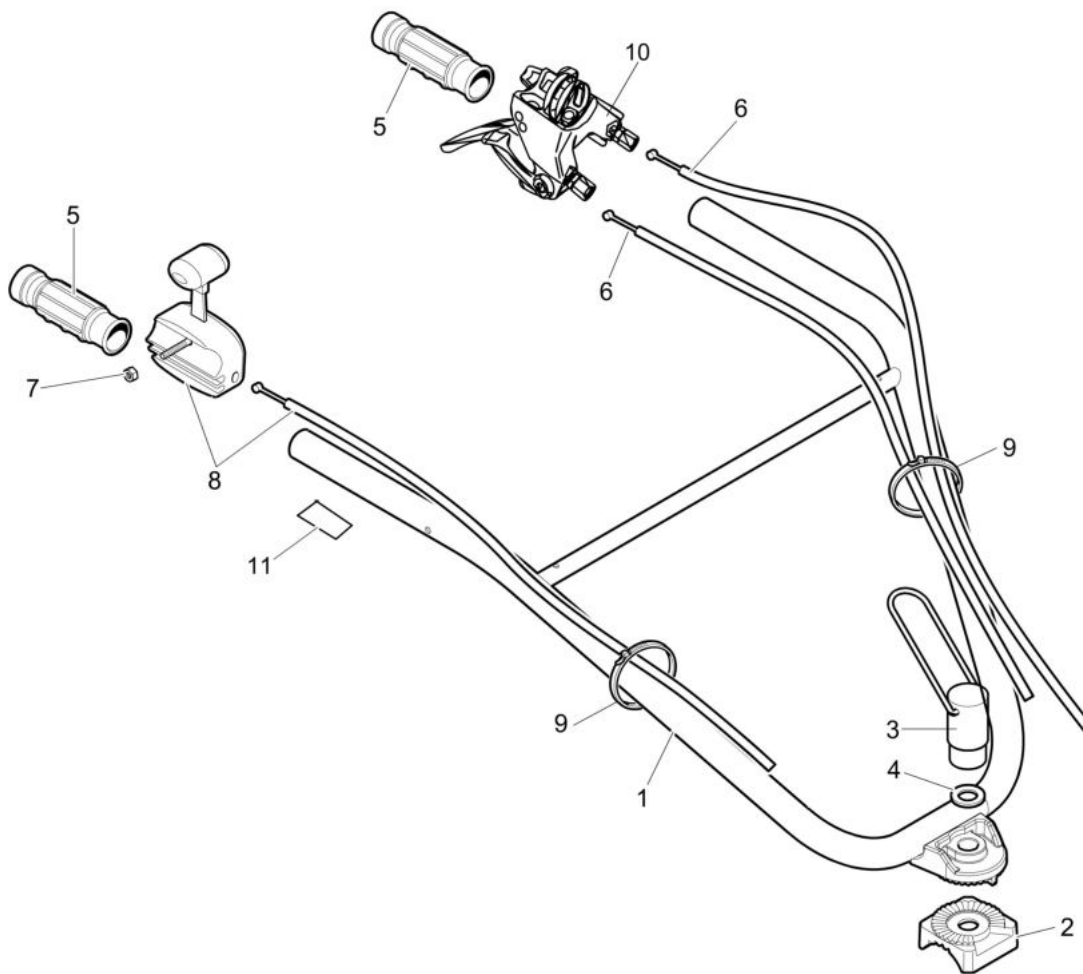
Документы

Handle-bar adjustable and control box

Frame

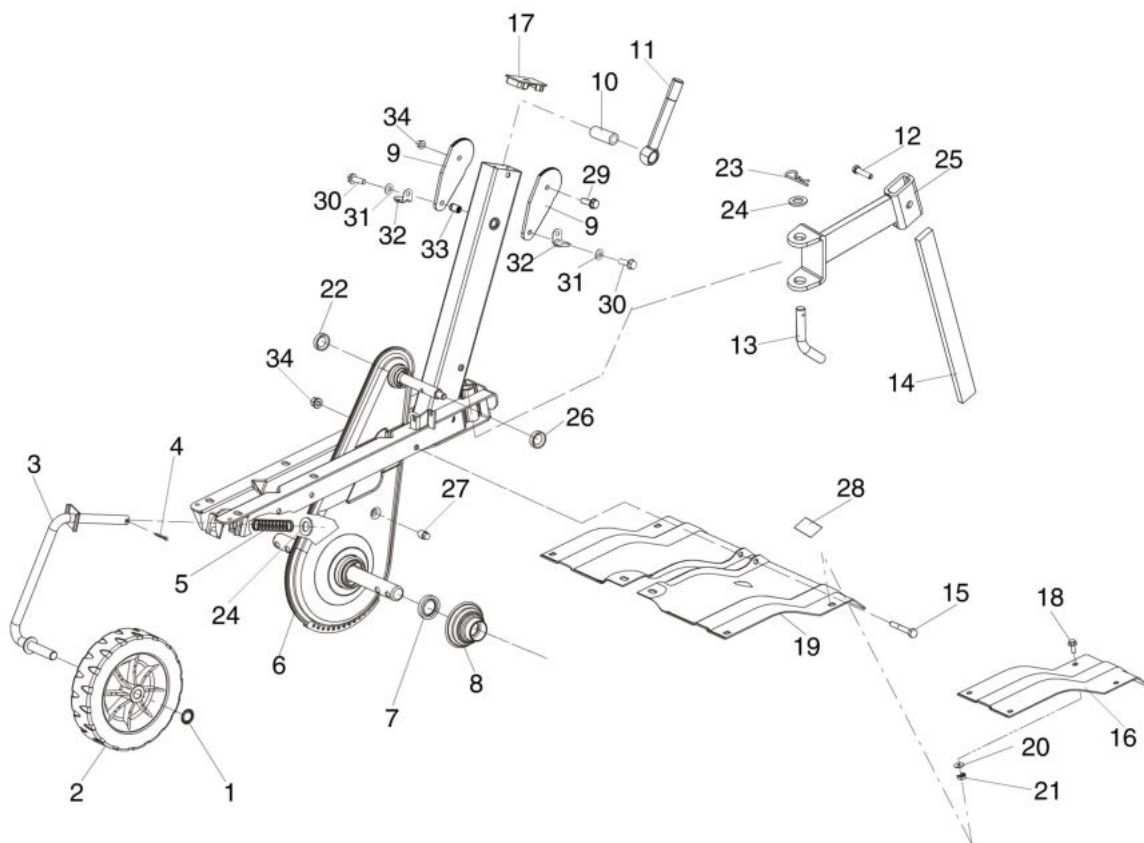
Unit (Bonnet)

Tiller



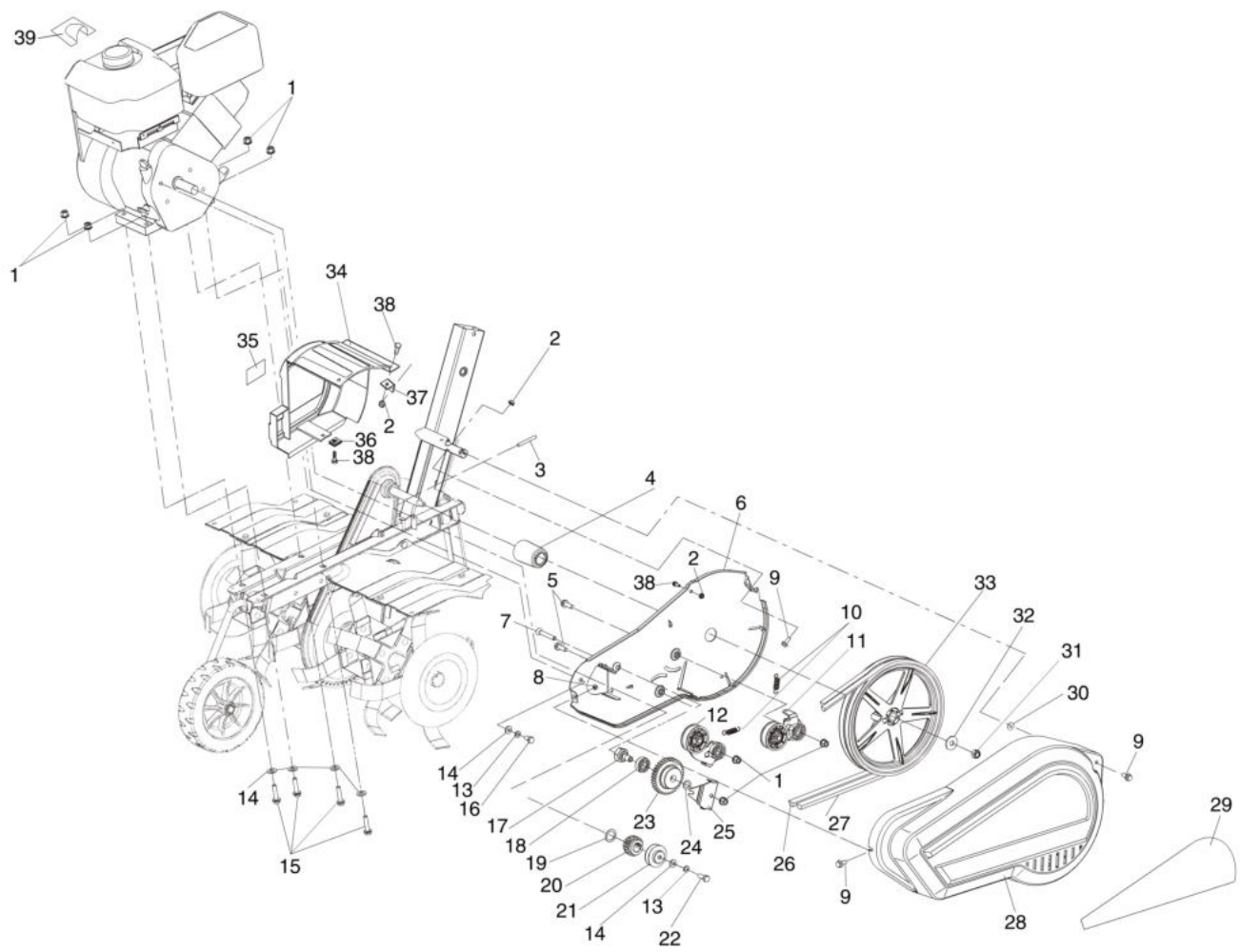
изображение Handle-bar adjustable and control box

Ref.Nu	Qty	Part number	Description	Validity from	Validity till	Notes	Bulletin
1	1	68690012	Handlebar				
2	1	YF1231651	Serrated plate				
3	1	YF1231634	Lever				
4	1	YF1231635	Washer				
5	2	YN2847410	Handle start				
6	2	68690070R	Transmission				
7	1	3914006R	Nut				
8	1	68690069R	Throttle			Per motori EMAK, HONDA;	
8	1	YF1231708	Throttle			Per motore B&S; For B&S engine	
9	2	YN1764000	Band				
10	1	68690068R	Lever (double)				
11	1	YN5380870	Plate (Instruction)				



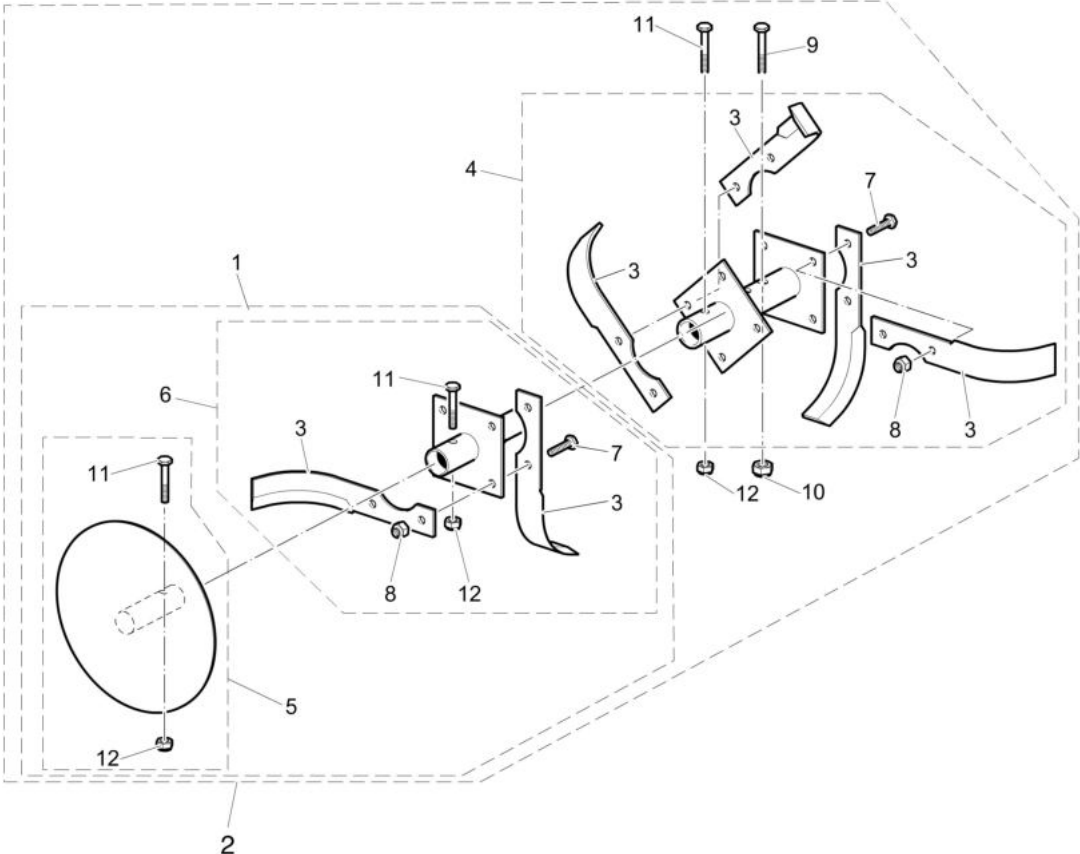
изображение Frame

Ref.Nu	Qty	Part number	Description	Validity from	Validity till	Notes	Bulletin
1	1	3024050R	Ring				
2	1	68670028R	Wheel				
3	1	68690111R	Support (wheel)				
4	1	3031025R	Split pin				
5	1	68670030R	Spring				
6	1	68692013	Frame				
7	2	3050046R	Seal ring				
8	2	68690136R	Guard				
9	2	68690129R	Column support				
10	1	68690128R	Spacer				
11	1	F1231633	Tie rod				
12	1	YN6320600	Screw				
13	1	68690122R	Pin				
14	1	68690072R	Drag bar				
15	1	301000155R	Screw				
16	2	68690118R	Guard				
17	1	68690133R	Cap				
18	4	3906036R	Screw				
19	1	68690116R	Guard				
20	4	68670054R	Washer				
21	4	3980001R	Nut				
22	1	YN5269990	Cap				
23	1	N1054500	Split pin				
24	1	3916016	Washer				
25	1	68690075R	Support				
26	1	YN0205400	Ring				
27	1	YN5254000	Oil cap				
28	1	YF1233111	Plate (danger)				
29	1	3906080	Screw				
30	2	3933034AR	Screw				
31	2	3918013R	Washer				
32	2	68670036R	Plate				
33	1	3933001R	Insert				
34	2	3914012R	Nut				



изображение Unit (Bonnetts)

Ref.Nu	Qty	Part number	Description	Validity from	Validity till	Notes	Bulletin
1	7	3914012R	Nut				
2	4	3914016R	Nut				
3	1	3022037R	Plug				
4	1	68690109R	Tube				
5	1	3906065R	Screw				
6	1	68690113R	Plate				
7	1	3902002R	Screw				
8	1	3914006R	Nut				
9	3	3960089R	Screw				
10	2	68690106R	Spring				
11	1	68690105R	Guide pulley				
12	1	68690104R	Guide pulley				
13	2	YN4366600	Washer				
14	6	3916008R	Washer				
15	4	3806076R	Screw				
16	1	3806063R	Screw			Per motore EMAK; For	
16	1	YN6243940	Screw			Per motori HONDA, B&S; For HONDA, B&S engines	
17	1	68690107R	Pin				
18	1	YN1252350	Bearing				
19	1	YF1231648	Spacer				
20	1	ES360020180R	Gear				
21	1	68690108R	Pulley (engine)				
22	1	YN6243980	Screw				
23	1	ES360020180R	Gear				
24	1	YN5001750	Thickness				
25	1	68690135R	Plate				
26	1	68670114R	Belt (reverse gear)				
27	1	YF1231609	Belt				
28	1	68670021ER	Hood				
29	1	68690088R	Label			MH 180 RKS	
29	1	68690084R	Label			MH 180 RS	
29	1	68690092R	Label			MH 190 RXS	
30	1	68670054R	Washer				
31	1	3914014R	Nut				
32	1	3918026R	Washer				
33	1	68690103R	Pulley				
34	1	68670022R	Hood				
35	1	68690089R	Label			MH 180 RKS	
35	1	68690085R	Label			MH 180 RS	
35	1	68690093R	Label			MH 190 RXS	
36	1	YN1727050	Nut				
37	1	YF1232108	Support				
38	1	3906036R	Screw				
39	1	F1230002	Grip-end			Per motore HONDA; For HONDA engine	



изображение Tiller

Ref.Nu	Qty	Part number	Description	Validity from	Validity till	Notes	Bulletin
1	1	68620032A	Extension			DX; RIGHT	
1	1	68620033A	Extension			SX; LEFT	
2	1	68622002R	Rotor (complete)				
3	1	R0000143	Cutters kit				
4	1	68690035R	Tiller			DX; RIGHT	
4	1	68690036R	Tiller			SX; LEFT	
5	1	68620046AR	Disk				
6	1	68620033A	Extension			DX; RIGHT	
6	1	68620032A	Extension			SX; LEFT	
7	8	3933034AR	Screw				
8	8	YN1458020	Nut				
9	4	YN6342900	Screw				
10	4	3914014R	Nut				
11	2	3806076R	Screw				
12	2	3914010R	Nut				