

PW 145 C High-pressure washer

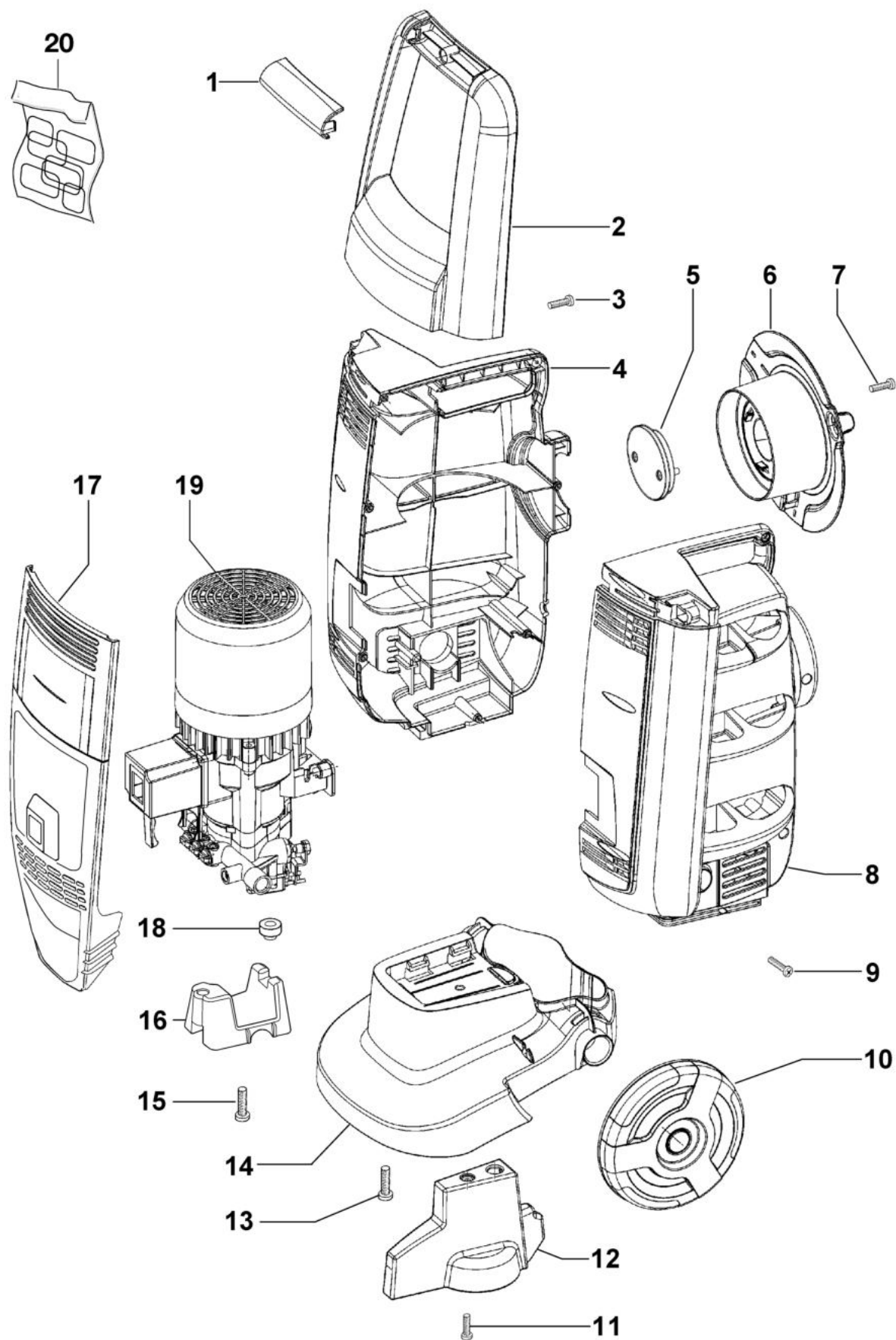


Документы

Deck

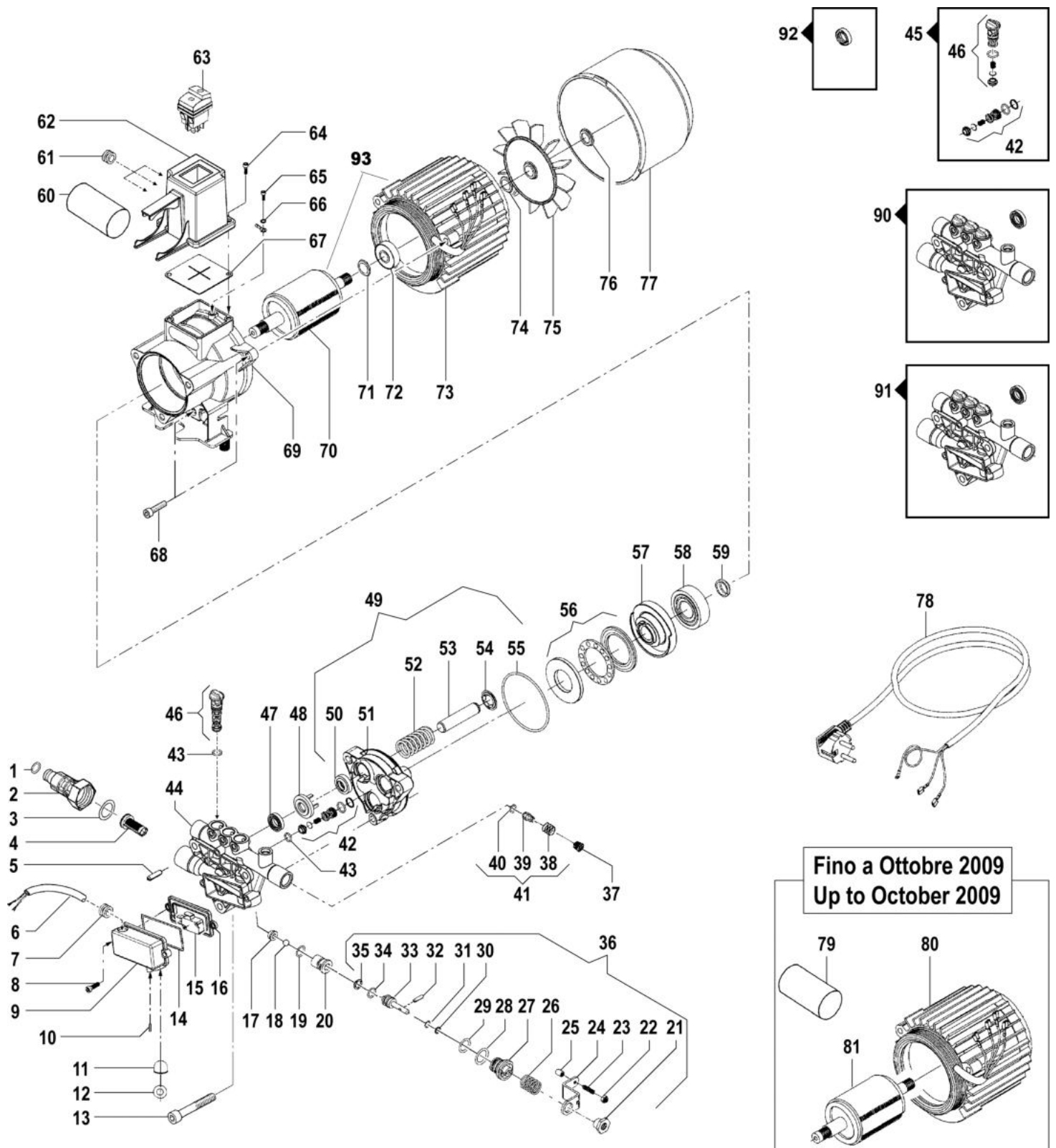
Water pump

Accessories



изображение Deck

| Ref.Nu | Qty | Part number | Description | Validity from | Validity till | Notes | Bulletin |
|--------|-----|-------------|------------------|---------------|---------------|-------|----------|
| 1 | 1 | CH04020312B | Handle cover | | | | |
| 2 | 1 | CH14110042A | Handle | | | | |
| 3 | 2 | CH36050114 | Screw | | | | |
| 4 | 1 | CH04770217A | Cover left | | | | |
| 5 | 1 | CH06020064 | Hose reel kit | | | | |
| 6 | 1 | CH06020060A | Hose reel | | | | |
| 7 | 2 | CH36050114 | Screw | | | | |
| 8 | 1 | CH04770218A | Belt cover right | | | | |
| 9 | 7 | CH36050114 | Screw | | | | |
| 10 | 2 | CH28100086A | Wheel | | | | |
| 11 | 1 | CH36050114 | Screw | | | | |
| 12 | 1 | CH30020608 | Stand | | | | |
| 13 | 2 | CH36050114 | Screw | | | | |
| 14 | 1 | CH32060311A | Frame | | | | |
| 15 | 1 | CH36250071 | Screw | | | | |
| 16 | 1 | CH24000106 | Support | | | | |
| 17 | 1 | CH04770226B | Cover | | | | |
| 18 | 1 | CH06010331 | Spacer | | | | |
| 19 | 1 | CH73040414 | Water pump | | | | |
| 20 | 1 | CH32157790 | Labels kit | | | | |



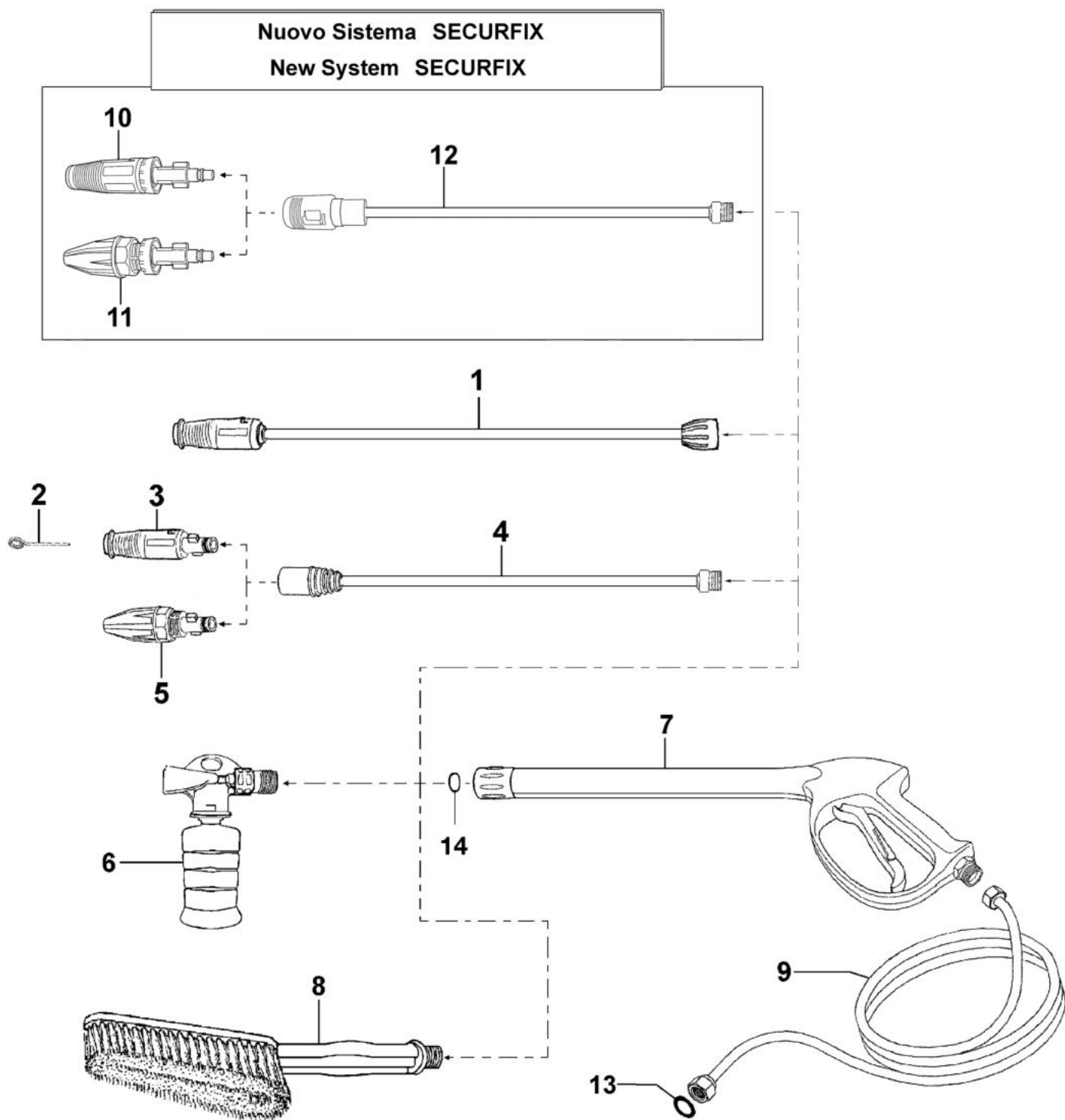
Fino a Ottobre 2009
Up to October 2009

изображение Water pump

| Ref.Nu | Qty | Part number | Description | Validity from | Validity till | Notes | Bulletin |
|--------|-----|-------------|---------------------------|---------------|---------------|-------|----------|
| 1 | 1 | CH12100057 | O-ring | | | | |
| 2 | 1 | CH28030524 | Fitting | | | | |
| 3 | 1 | CH12090111 | Gasket | | | | |
| 4 | 1 | CH10020132A | Water filter | | | | |
| 5 | 3 | CH30210032 | Plug | | | | |
| 6 | 1 | CH04560322 | Cable | | | | |
| 7 | 1 | CH24340048 | Cable holder | | | | |
| 8 | 2 | CH36090198 | Screw | | | | |
| 9 | 1 | CH04020276 | Cover | | | | |
| 10 | 1 | CH30050097 | Plug | | | | |
| 11 | 1 | CH24160112 | Guard | | | | |
| 12 | 1 | CH00090229 | Ring | | | | |
| 13 | 3 | CH36090191 | Screw | | | | |
| 14 | 1 | CH12100550 | O-ring | | | | |
| 15 | 1 | CH18250020R | Switch | | | | |
| 16 | 1 | CH04020290 | Case | | | | |
| 17 | 1 | CH30090141 | Seat | | | | |
| 18 | 1 | CH30030035 | Ball | | | | |
| 19 | 1 | CH12100152 | O-ring | | | | |
| 20 | 1 | CH30090158 | Seat | | | | |
| 21 | 1 | CH32020241 | Screw | | | | |
| 22 | 1 | CH06040087 | Nut | | | | |
| 23 | 1 | CH36220047 | Total stop adjustable nut | | | | |
| 24 | 1 | CH16000093 | Lever | | | | |
| 25 | 1 | CH04320044 | Cap | | | | |
| 26 | 1 | CH18020249 | Spring | | | | |
| 27 | 1 | CH36050115 | Screw | | | | |
| 28 | 1 | CH12100390 | O-ring | | | | |
| 29 | 1 | CH12100049 | O-ring | | | | |
| 30 | 1 | CH00090110 | Ring | | | | |
| 31 | 1 | CH12100055 | O-ring | | | | |
| 32 | 1 | CH30210035 | Plug | | | | |
| 33 | 1 | CH00150194 | Easy start kit | | | | |
| 34 | 1 | CH12100041 | O-ring | | | | |
| 35 | 1 | CH00090112 | Ring | | | | |
| 36 | 1 | CH12150363 | Valve | | | | |
| 37 | 1 | CH32020280 | Cap | | | | |
| 38 | 1 | CH18020284 | Spring | | | | |
| 39 | 1 | CH36000087 | Valve | | | | |
| 40 | 1 | CH12100220 | O-ring | | | | |
| 41 | 1 | CH50270025 | Reed valve kit | | | | |
| 42 | 3 | CH12200068 | Valve | | | | |
| 43 | 6 | CH12100465 | O-ring | | | | |
| 44 | 1 | CH32180392A | Top cover | | | | |

изображение Water pump

| Ref.Nu | Qty | Part number | Description | Validity from | Validity till | Notes | Bulletin |
|--------|-----|-------------|--------------------------------|---------------|---------------|-------|----------|
| 45 | 1 | CH50250026 | Valve | | | | |
| 46 | 3 | CH12200069 | Valve | | | | |
| 47 | 3 | CH50190666 | Gasket set | | | | |
| 48 | 3 | CH00090318 | Ring | | | | |
| 49 | 1 | CH24320026 | Pump crankcase | | | | |
| 50 | 3 | CH00190124 | Seal ring | | | | |
| 51 | 1 | CH24320025 | Pump crankcase | | | | |
| 52 | 3 | CH18020213 | Spring | | | | |
| 53 | 3 | CH24090127 | Piston | | | | |
| 54 | 3 | CH00090317 | Ring | | | | |
| 55 | 1 | CH12100620 | O-ring | | | | |
| 56 | 1 | CH04360032 | Bearing | | | | |
| 57 | 1 | CH00010629A | Eccentric shaft | | | | |
| 58 | 1 | CH04380091 | Bearing | | | | |
| 59 | 1 | CH00190118 | Seal ring | | | | |
| 60 | 1 | CH04340047 | Condenser | | | | |
| 61 | 3 | CH24340048 | Cable holder | | | | |
| 62 | 1 | CH30010530 | Electrical box | | | | |
| 63 | 1 | CH14100130A | Switch | | | | |
| 64 | 2 | CH36250046 | Screw | | | | |
| 65 | 1 | CH36250072 | Screw | | | | |
| 66 | 1 | CH28070013 | Washer | | | | |
| 67 | 1 | CH12010196 | Gasket | | | | |
| 68 | 3 | CH36090114 | Screw | | | | |
| 69 | 1 | CH10090258B | Flange | | | | |
| 70 | 1 | 301100002 | Stator and kit | 01/08/2014 | | | |
| 71 | 2 | CH12100420 | O-ring | | | | |
| 72 | 1 | CH04380090 | Bearing | | | | |
| 73 | 1 | 301100002 | Stator and kit | 01/08/2014 | | | |
| 74 | 1 | CH12410070 | Ring | | | | |
| 75 | 1 | CH36320083 | Motor fan kit | | | | |
| 76 | 1 | CH00090296 | Ring | | | | |
| 77 | 1 | CH04660029 | Fan cover | | | | |
| 78 | 1 | CH04560321 | Cable uk | | | | |
| 78 | 1 | CH04560318 | Cable | | | | |
| 79 | 1 | CH04340045 | Condenser | | | | |
| 80 | 1 | CH30410277 | Stator kit | | | | |
| 81 | 1 | CH00010590 | Rotor shaft | | | | |
| 90 | - | - | Not available for this product | | | | |
| 91 | 1 | CH33000108 | Top cover | | | | |
| 92 | 1 | CH50190666 | Gasket set | | | | |
| 93 | 1 | 301100002 | Stator and kit | 01/08/2014 | | | |



изображение Accessories

| Ref.Nu | Qty | Part number | Description | Validity from | Validity till | Notes | Bulletin |
|--------|-----|-------------|------------------------------|---------------|---------------|-------|----------|
| 1 | 1 | 68500034 | Lance with adjustable nozzle | | | | |
| 2 | 1 | CH04550013 | Needle | | | | |
| 3 | 1 | 68500041 | Adjustable nozzle head | | | | |
| 4 | 1 | 68500033 | Lance with adjustable nozzle | | | | |
| 5 | 1 | 68500043 | Rotative nozzle head | | | | |
| 6 | 1 | 68500049 | Lance | | | | |
| 7 | 1 | 68500029 | Spray gun | | | | |
| 8 | 1 | 68500003A | Fixed brush | | | | |
| 9 | 1 | 68500020 | H.p. hose kit | | | | |
| 10 | 1 | 68500058 | Adjustable nozzle head | | | | |
| 11 | 1 | 68500044 | Rotative nozzle head | | | | |
| 12 | 1 | 68500033 | Lance with adjustable nozzle | | | | |
| 13 | 1 | CH12100218 | O-ring | | | | |
| 14 | 1 | CH12100084 | O-ring | | | | |