

## PW 210 C High-pressure washer



### Документы

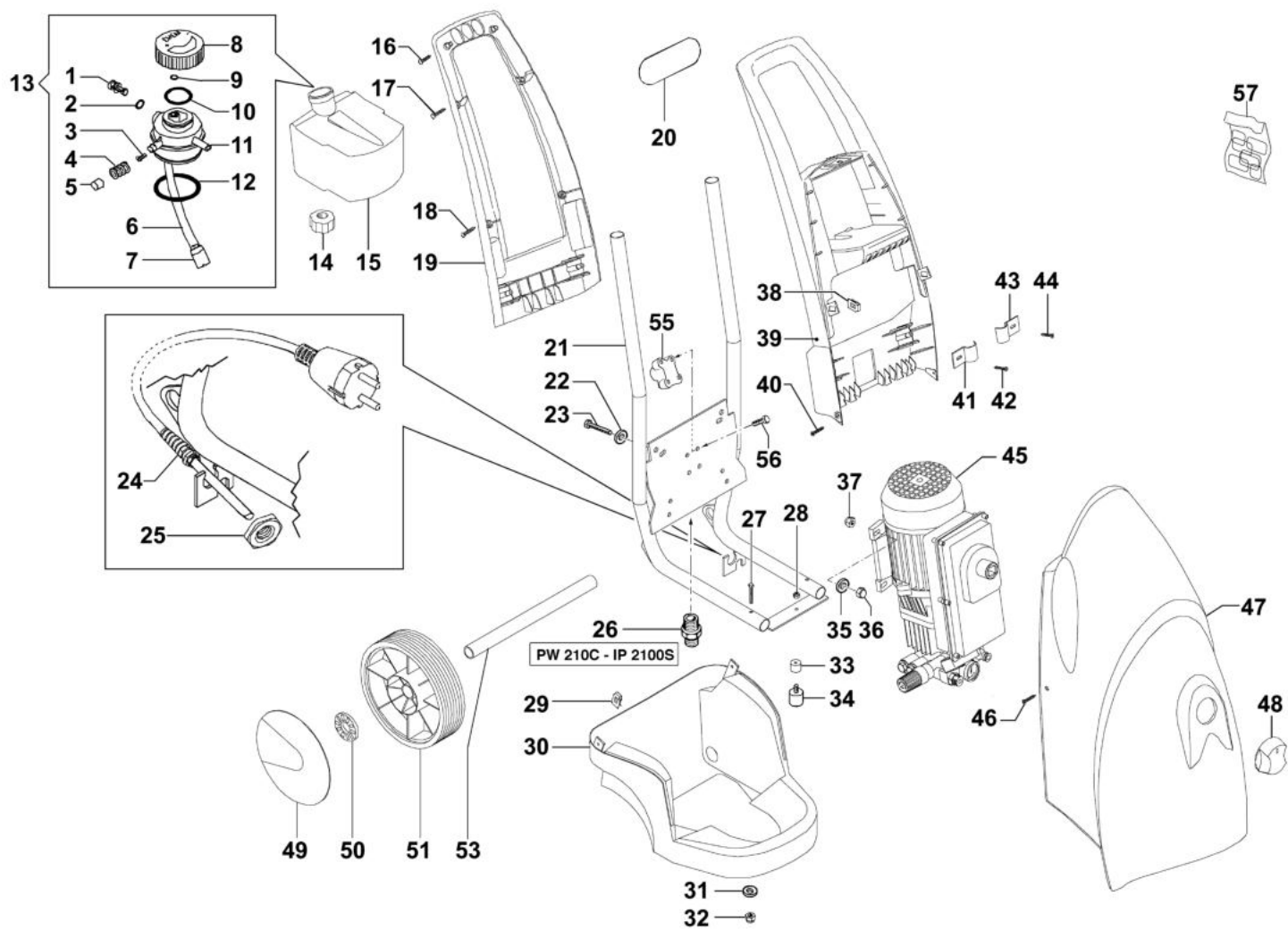
Deck

Motor 1

Motor 2

Hose reel

Accessories

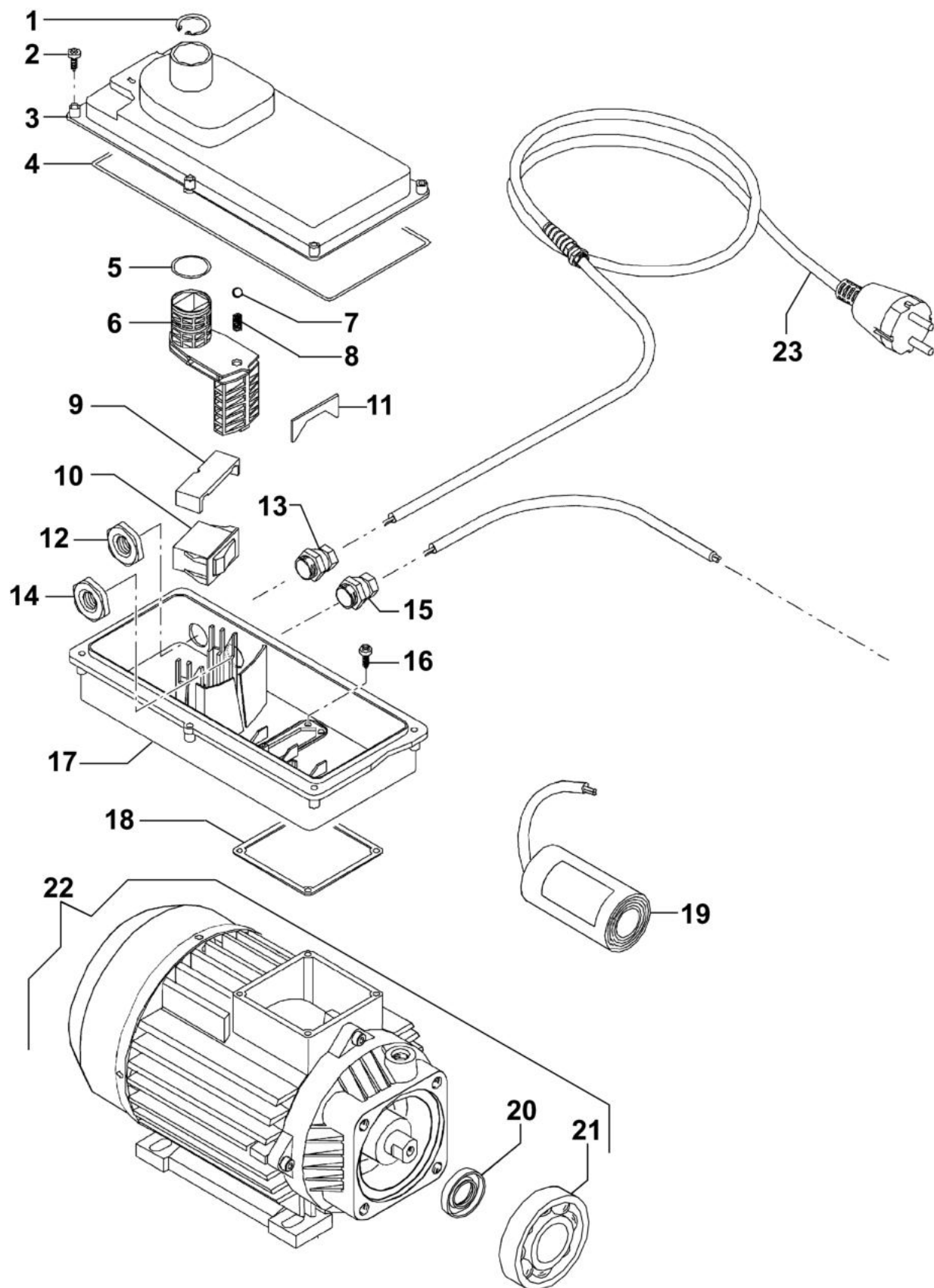


## изображение Deck

Ref.Nu	Qty	Part number	Description	Validity from	Validity till	Notes	Bulletin
1	1	CH32020261	Cap				
2	1	CH12100417	O-ring				
3	1	CH36000101	Valve				
4	1	CH18020209	Spring				
5	1	CH32000081	Cap				
6	1	CH32080828	Tube				
7	1	CH10020109	Filter				
8	1	CH18170061	Cap				
9	1	CH12100014	O-ring				
10	1	CH12100203	O-ring				
11	1	CH32000079A	Cap				
12	1	CH12100200	O-ring				
13	1	CH33120007	Cap				
14	1	CH12270037	Ring nut				
15	1	CH30290016	Tank				
16	2	CH36230028	Screw				
17	2	CH36230029	Screw				
18	2	CH36230029	Screw				
19	1	CH14110027	Handle				
20	1	CH12100216	O-ring				
21	1	CH32060284	Frame				
22	4	CH28110016	Washer				
23	4	CH36070018	Screw				
24	1	CH24340027	Cable holder				
25	1	CH12270028	Ring nut				
26	1	CH20000007	Nipple				
27	2	CH36230017	Screw				
28	1	CH06040011	Nut				
29	2	CH24030087	Plate				
30	1	CH04790104	Cover kit				
31	2	CH28110092	Washer				
32	2	CH06040046	Nut				
33	1	CH06010225	Spacer				
34	1	CH30020567	Support				
35	4	CH28110016	Washer				
36	4	CH06040039	Nut				
37	4	CH06000063	Nut				
38	3	CH24030085	Plate				
39	1	CH04790102	Cover				
40	2	CH36230021	Screw				
41	2	CH30020554	Support				
42	2	CH36230021	Screw				
43	2	CH30020556	Support				
44	2	CH36230021	Screw				

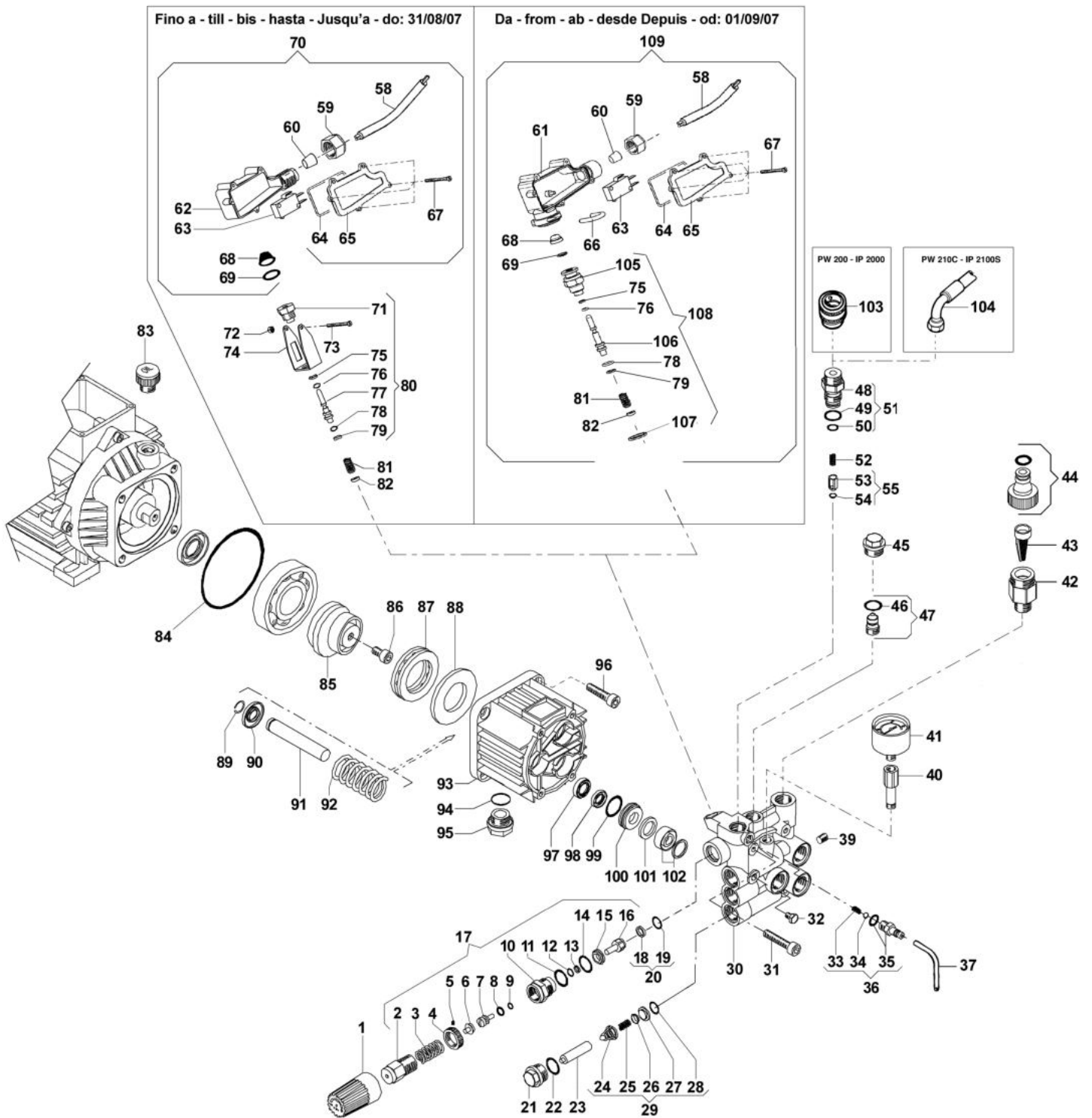
## изображение Deck

Ref.Nu	Qty	Part number	Description	Validity from	Validity till	Notes	Bulletin
45	1	CH73010265	Water pump				
46	3	CH36200003	Screw				
47	1	CH04790106	Cover				
48	1	CH18170062	Knob				
49	2	CH04020293	Wheel cover				
50	2	CH00090260	Ring				
51	2	CH28100049	Wheel				
53	1	CH00170011	Wheel axle				
55	1	CH28033382	Support				
56	4	CH36070015	Screw				
57	1	CH3215513400	Labels kit				



## изображение Motor 1

Ref.Nu	Qty	Part number	Description	Validity from	Validity till	Notes	Bulletin
1	1	CH00090263	Ring				
2	6	CH36050096	Screw				
3	1	CH04020245	Cover				
4	1	CH12010143	Gasket				
5	1	CH12100394	O-ring				
6	1	CH16000079	Lever				
7	1	CH30030007	Ball				
8	1	CH18020195	Spring				
9	1	CH04180044	Clamp				
10	1	CH14100061	Switch				
11	1	CH06010292	Spacer				
12	1	CH12270027	Ring nut				
13	1	CH24340036	Grommet				
14	1	CH12270028	Ring nut				
15	1	CH24340036	Grommet				
16	4	CH36250046	Screw				
17	1	CH30010149	Electrical box				
18	1	CH12010127	Gasket				
19	1	CH04340010	Condenser				
20	1	CH00190034	Seal ring				
21	1	CH04380076	Bearing				
22	1	CH18310645	Electric motor				
23	1	CH04560260	Cable				



## изображение Motor 2

Ref.Nu	Qty	Part number	Description	Validity from	Validity till	Notes	Bulletin
1	1	CH18170064	Knob				
2	1	CH02040043	Bushing				
3	1	CH18020181	Spring				
4	1	CH12270022	Ring nut				
5	1	CH36220030	Worm gear				
6	1	CH00090207	Spacer				
7	1	CH24090077	Piston				
8	1	CH12100406	O-ring				
9	1	CH00090206	Spacer				
10	1	CH02040045	Bushing				
11	1	CH12100407	O-ring				
12	1	CH12100405	O-ring				
13	1	CH00090205	Ring				
14	1	CH12100404	O-ring				
15	1	CH00090204	Ring				
16	1	CH01991447	Support				
17	1	CH12150584	Regulation valve				
18	1	CH30090122	Seat				
19	1	CH12100403	O-ring				
20	1	CH30090013A	Valve				
21	6	CH32020236	Cap				
22	6	CH12100151	O-ring				
23	2	CH06010273	Spacer				
24	6	CH12050033	Thrust bearing				
25	6	CH18020192	Spring				
26	6	CH36040028	Valve				
27	6	CH30090129	Seat				
28	6	CH12100049	O-ring				
29	6	CH12200045	Valve				
30	1	CH32180329	Top cover				
31	4	CH36090156	Screw				
32	1	CH32020018	Cap				
33	1	CH18020180	Spring				
34	1	CH30030024	Ball				
35	1	CH28030424	Fittings				
36	1	CH28030435	Fittings kit				
37	1	CH32080829	Tube				
39	1	CH32000017	Cap				
40	1	CH20000104	Nipple				
41	1	CH18160104	Pressure gauge				
42	1	CH20000127	Fitting				
43	1	CH10020132A	Water filter				
44	1	CH28030325	Fittings				
45	1	CH32000007	Cap				



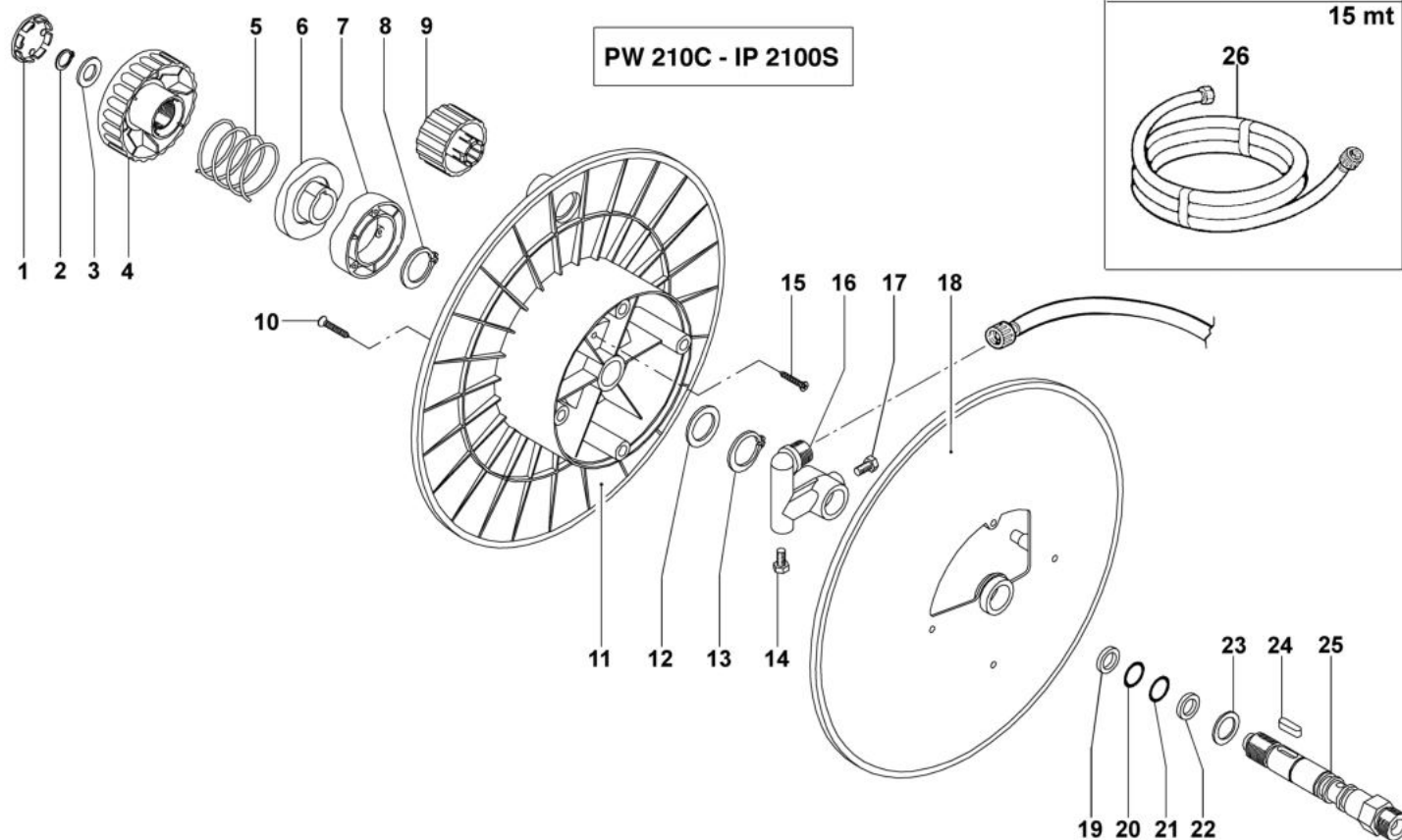
## изображение Motor 2

Ref.Nu	Qty	Part number	Description	Validity from	Validity till	Notes	Bulletin
46	1	CH12100041	O-ring				
47	1	CH06080030	Easy start kit				
48	1	CH34100317	Injector body				
49	1	CH12100049	O-ring				
50	1	CH12100040	O-ring				
51	1	CH34100320	Injector kit				
52	1	CH18020197	Spring				
53	1	CH24090086	Piston				
54	1	CH12100460	O-ring				
55	1	CH24090091	Check valve kit				
58	1	CH04560264	Cable				
59	1	CH12000056	Wing nut				
60	1	CH12010137	Gasket				
61	1	CH30010538	Case				BT6-073-06/08
62	1	CH30010133	Case				BT6-073-06/08
63	1	CH18250020R	Switch				
64	1	CH12010136	O-ring				
65	1	CH04020200	Cover				
66	1	CH12020066	Hook				BT6-073-06/08
67	3	CH36250048	Screw				BT6-073-06/08
68	1	CH24160112	Guard				
69	1	CH00090229	Ring				
70	1	CH31030023	Total stop kit				BT6-073-06/08
71	1	CH36050105	Screw				BT6-073-06/08
72	1	CH06040077	Nut				
73	1	CH36230025	Screw				
74	1	CH24030086	Bracket				BT6-073-06/08
75	1	CH00090202	Ring				
76	1	CH12100146	O-ring				
77	1	CH31030023	Total stop kit				BT6-073-06/08
78	1	CH00090110	Ring				
79	1	CH12100055	O-ring				
80	1	CH31030023	Total stop kit				BT6-073-06/08
81	1	CH01110006C	Total-stop rod kit				
82	1	CH01110006C	Total-stop rod kit				
83	1	CH32000071	Cap				
84	1	CH12100429	O-ring				
85	1	CH00010417A	Shaft				
86	1	CH36090280	Screw				
87	1	CH04360017	Bearing				
88	1	CH28160088	Spacer				
89	3	CH00090220	Ring				
90	3	CH00090221	Ring				
91	3	CH24090089A	Piston				

## изображение Motor 2

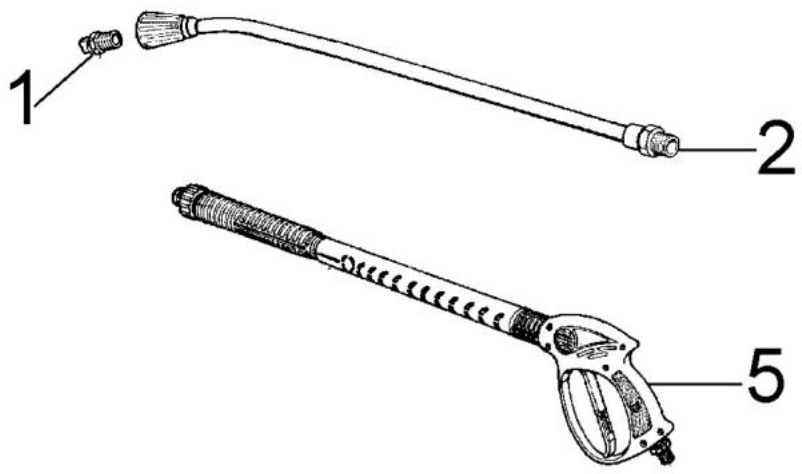
Ref.Nu	Qty	Part number	Description	Validity from	Validity till	Notes	Bulletin
92	3	CH18020153	Spring				
93	1	CH04030135	Pump crankcase				
94	1	CH12100048	O-ring				
95	1	CH32010027	Warning light				
96	4	CH36090280	Screw				
97	3	CH00190058	Seal ring				
98	3	CH12410057	Gasket				
99	3	CH12100356	O-ring				
100	3	CH00090219	Ring				
101	3	CH00090369	Ring				
102	3	CH12410059	Gasket				
103	-		Not available for this product				
104	1	CH32080931	Tube				
105	1	CH36050117	Screw				BT6-073-06/08
106	1	CH00150200	Rod				BT6-073-06/08
107	1	CH28110127	Washer				BT6-073-06/08
108	1	CH01110006C	Total-stop rod kit				BT6-073-06/08
109	1	CH31030023	Total stop kit				BT6-073-06/08

PW 210C - IP 2100S



изображение Hose reel

Ref.Nu	Qty	Part number	Description	Validity from	Validity till	Notes	Bulletin
1	1	CH32020270	Cap				
2	1	CH30190043	Snap ring				
3	1	CH28110015	Washer				
4	1	CH36060014	Clamp				
5	1	CH18020211	Spring				
6	1	CH04680002	Cam				
7	1	CH04680001	Cam				
8	1	CH30190042	Snap ring				
9	1	CH24310007	Knob				
10	4	CH36230015	Screw				
11	1	CH06020052	Disk				
12	1	CH28120080	Washer				
13	1	CH30190042	Snap ring				
14	1	CH32020018	Cap				
15	3	CH36230019	Screw				
16	1	CH28030480	Fittings				
17	1	CH32020018	Cap				
18	1	CH06020051	Disk				
19	1	CH00090165	Ring				
20	1	CH12100232	O-ring				
21	1	CH12100232	O-ring				
22	1	CH00090165	Ring				
23	1	CH28120080	Washer				
24	1	CH16020059	Key				
25	1	CH24080151	Fittings				
26	1	CH32080971	Hose reel 15 mt				



## изображение Accessories

---

Ref.Nu	Qty	Part number	Description	Validity from	Validity till	Notes	Bulletin
1	1	CH34000709	Water nozzle				
2	1	68500038	Lance with adjustable nozzle				
5	1	68500030	Spray gun				