

PW 250 HC High-pressure washer



Документы

Deck

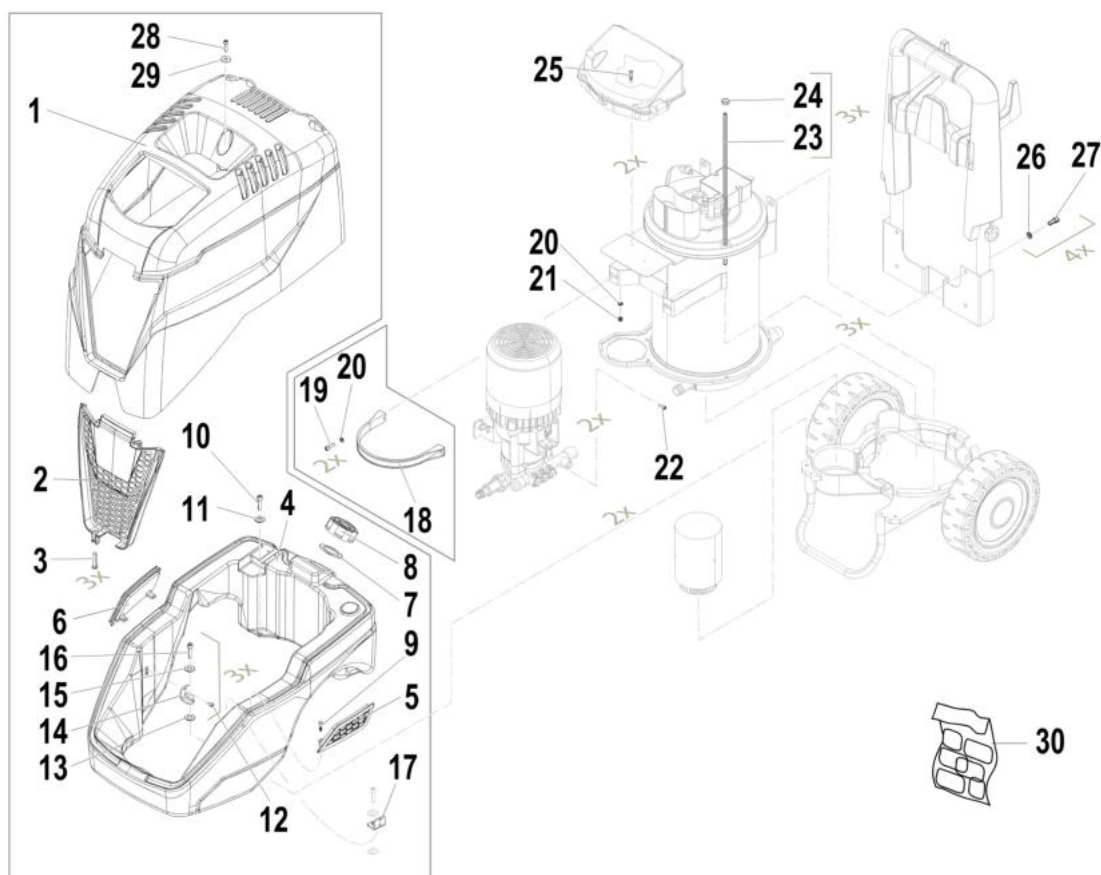
Frame assembly

Electrical box

Boiler body

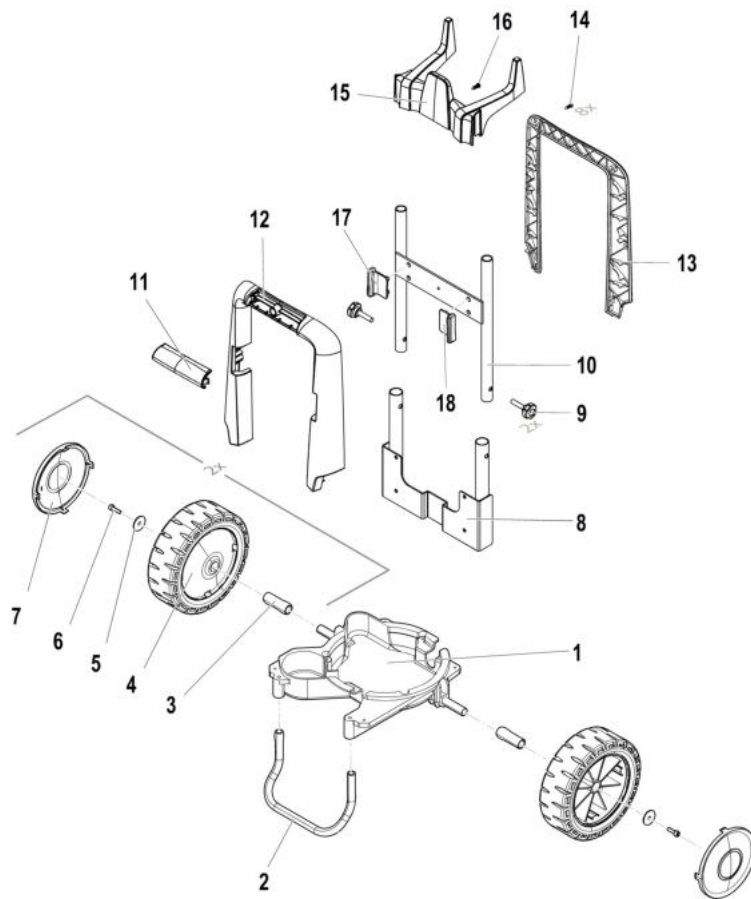
Water pump

Accessories



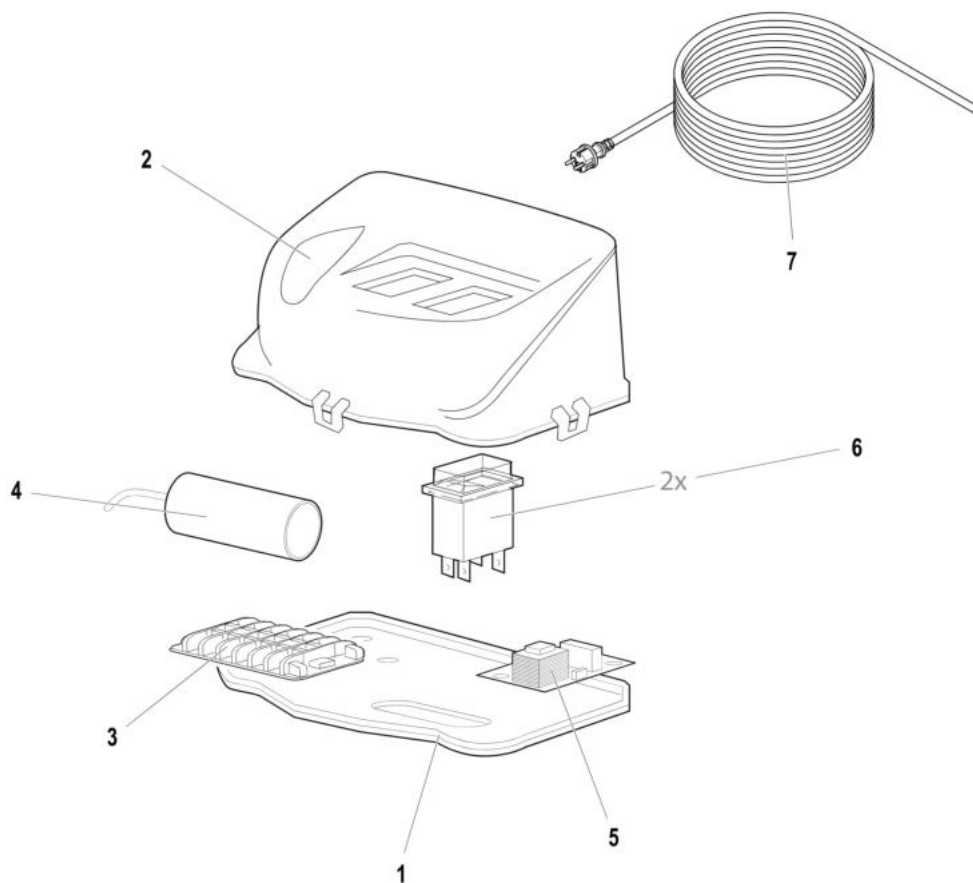
изображение Deck

Ref.Nu	Qty	Part number	Description	Validity from	Validity till	Notes	Bulletin
1	1	CH04770591	Cover				
2	1	CH04020583	Cover				
3	3	CH36250036	Screw				
4	1	CH30290141R	Tank				
5	1	CH04020610	Grid				
6	1	CH04020609	Grid				
7	1	CH12090088	Gasket				
8	1	CH32000059	Cap				
9	4	CH36090181	Screw				
10	1	CH36090112	Screw				
11	1	CH28110023	Washer				
12	4	CH36090181	Screw				
13	1	CH28110023	Washer				
14	1	CH24040276	Plate				
15	2	CH28110023	Washer				
16	2	CH36090112	Screw				
17	1	CH24040275	Plate				
18	1	CH30400005	Band				
19	2	CH36090075	Screw				
20	4	CH28110092	Washer				
21	2	CH06040082	Nut				
22	2	CH36250046	Screw				
23	3	CH32030086	Tie rod				
24	3	CH06040102	Nut				
25	2	CH36090295	Screw				
26	4	CH28110023	Washer				
27	4	CH36090068	Screw				
28	1	CH36090112	Screw				
29	1	CH28110023	Washer				
30	1	CH32158931	Labels kit				



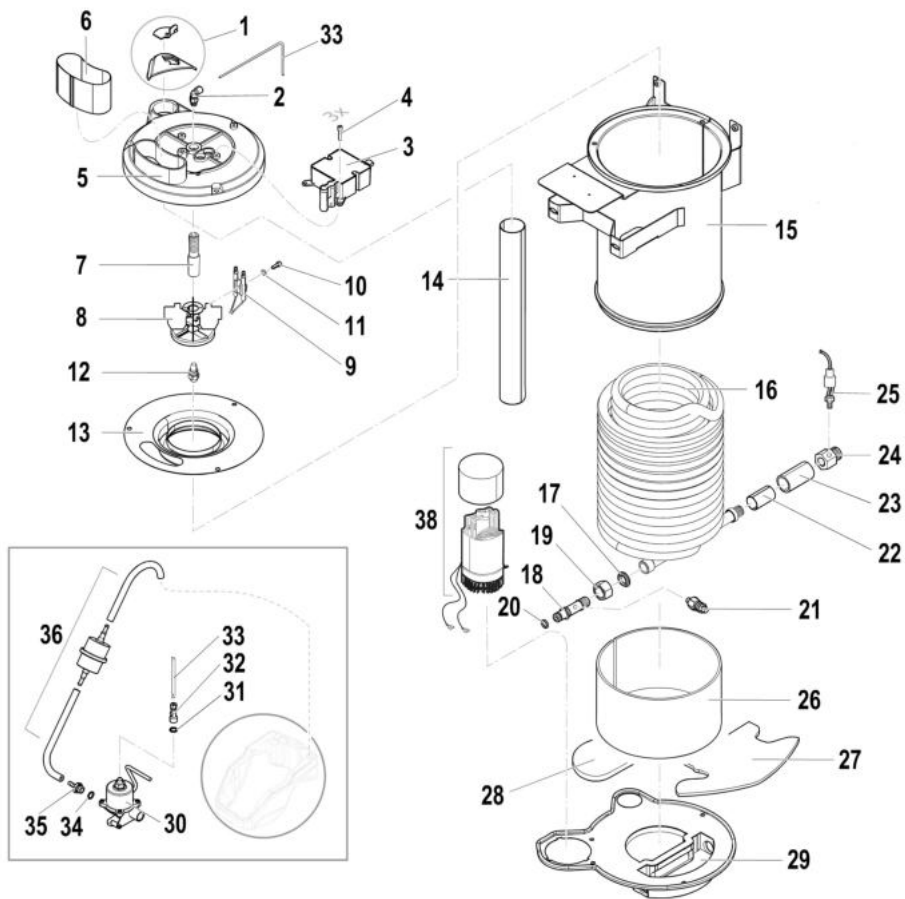
изображение Frame assembly

Ref.Nu	Qty	Part number	Description	Validity from	Validity till	Notes	Bulletin
1	1	CH32060404	Frame				
2	1	CH24140086	Support				
3	2	CH02040145	Bushing				
4	2	CH28100128	Wheel				
5	2	CH28120160	Washer				
6	2	CH36090032	Screw				
7	2	CH04020560	Cover (wheel)				
8	1	CH18030138	Handlebar				
9	2	CH36060028AR	Knob				
10	1	CH32060342	Upper frame				
11	1	CH04020481	Cover				
12	1	CH14110054	Handle				
13	1	CH14110055	Handle				
14	8	CH36050114	Screw				
15	1	CH30020755	Bracket				
16	1	CH36250090	Screw				
17	1	CH04020485	Cover				
18	1	CH04020484	Cover				



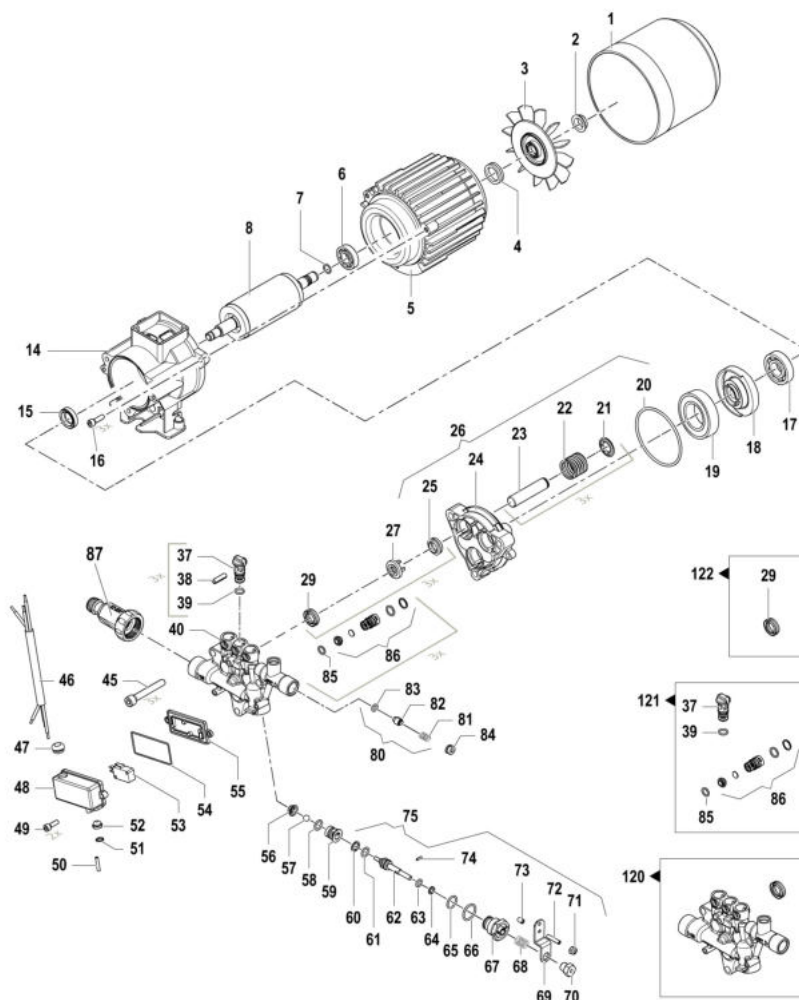
изображение Electrical box

Ref.Nu	Qty	Part number	Description	Validity from	Validity till	Notes	Bulletin
1	1	CH02090108	Electrical box				
2	1	CH04020598	Cover				
3	1	CH18050064	Terminal board				
4	1	CH04340319	Condenser				
5	1	CH30430078	Electric board				
6	2	CH14100153	Switch				
7	1	CH04560183	Wire				



изображение Boiler body

Ref.Nu	Qty	Part number	Description	Validity from	Validity till	Notes	Bulletin
1	1	CH04660091	Set cover				
2	1	CH28030727	Elbow				
3	1	CH32260116	Transformer				
4	3	CH36250046	Screw				
5	1	CH04020596	Upper cover				
6	1	CH04660085	Chimney				
7	1	CH24270005	Nozzle support				
8	1	CH06020120	Disk				
9	1	CH08050034	Bifilar electrode				
10	1	CH36250046	Screw				
11	1	CH28110092	Washer				
12	1	CH34000796	Nozzle				
13	1	CH04020597	Cover				
14	1	CH32081414	Tube				
15	1	CH04240562	Body				
16	1	CH30440033	Pipe coil				
17	1	CH28120162	Washer				
18	1	CH28030726	Fitting				
19	1	CH12270071	Ring nut				
20	1	CH12100375	O-ring				
21	1	CH12150673	Valve				
22	1	CH18010042	Sleeve				
23	1	CH32081415	Tube				
24	1	CH28030728	Fitting				
25	1	CH32300054	Thermostat				
26	1	CH28220023	Cover				
27	1	CH28220022	Refractory pad				
28	1	CH28220021	Refractory pad				
29	1	CH32060405	Frame				
30	1	CH24220010	Diesel pump				
31	1	CH12090083	Gasket				
32	1	CH28030733	Fitting				
33	1	CH32081433	Tube				
34	1	CH12100703	Ring				
35	1	CH28030408A	Coupling				
36	1	CH10020334	Filter kit				
38	1	CH18310726	Electric motor				

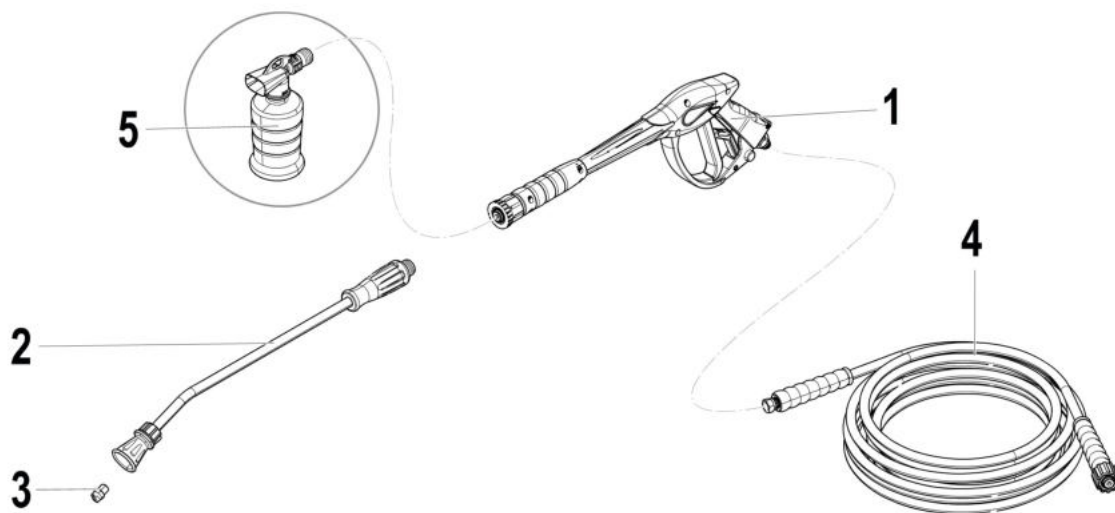


изображение Water pump

Ref.Nu	Qty	Part number	Description	Validity from	Validity till	Notes	Bulletin
1	1	CH04660029	Fan cover				
2	1	CH00090296	Ring				
3	1	CH36320083	Motor fan kit				
4	1	CH12410070	Ring				
5	1	CH30410414	Stator kit				
6	1	CH04380090	Bearing				
7	1	CH12100420	O-ring				
8	1	CH00010977	Rotor shaft				
14	1	CH10090258B	Flange				
15	1	CH00190118	Seal ring				
16	3	CH36090114	Screw				
17	1	CH04380091	Bearing				
18	1	CH00010629A	Eccentric shaft				
19	1	CH04360032	Bearing				
20	1	CH12100620	O-ring				
21	3	CH00090317	Ring				
22	3	CH18020213	Spring				
23	3	CH24090127	Piston				
24	1	CH24320025	Pump crankcase				
25	3	CH00190124	Seal ring				
26	1	CH24320026	Pump crankcase				
27	3	CH00090318	Ring				
29	3	CH50190666	Gasket set				
37	3	CH12200069	Valve				
38	3	CH30210032	Plug				
39	3	CH12100465	O-ring				
40	1	CH32180392A	Top cover				
45	3	CH36090191	Screw				
46	1	CH04560374A	Cable total stop				
47	1	CH24340048	Cable holder				
48	1	CH04020276	Cover				
49	2	CH36090198	Screw				
50	1	CH30050097	Plug				
51	1	CH00090229	Ring				
52	1	CH24160112	Guard				
53	1	CH18250020R	Switch				
54	1	CH12100550	O-ring				
55	1	CH04020290	Case				
56	1	CH30090141	Seat				
57	1	CH30030035	Ball				
58	1	CH12100152	O-ring				
59	1	CH30090158	Seat				
60	1	CH00090112	Ring				
61	1	CH12100041	O-ring				

изображение Water pump

Ref.Nu	Qty	Part number	Description	Validity from	Validity till	Notes	Bulletin
62	1	CH00150194	Easy start kit				
63	1	CH12100055	O-ring				
64	1	CH00090110	Ring				
65	1	CH12100049	O-ring				
66	1	CH12100390	O-ring				
67	1	CH36050115	Screw				
68	1	CH18020249	Spring				
69	1	CH16000093	Lever				
70	1	CH32020241	Screw				
71	1	CH06040087	Nut				
72	1	CH36220047	Total stop adjustable nut				
73	1	CH04320044	Cap				
74	1	CH30210035	Plug				
75	1	CH12150363	Valve				
80	1	CH50270025	Reed valve kit				
81	1	CH18020284	Spring				
82	1	CH36000087	Valve				
83	1	CH12100220	O-ring				
84	1	CH32020280	Cap				
85	3	CH12100465	O-ring				
86	3	CH12200068	Valve				
87	1	CH10020285	Filter				
120	1	CH33000108	Top cover				
121	1	CH50250026	Valve				
122	1	CH50190666	Gasket set				



изображение Accessories

Ref.Nu	Qty	Part number	Description	Validity from	Validity till	Notes	Bulletin
1	1	68500031	Spray gun				
2	1	68500071	Lance with adjustable nozzle				
3	1	68500072	Lance with adjustable nozzle				
4	1	68500023	H.p. hose kit				
5	1	68500049	Lance				