

PWX 200 C High-pressure washer



Документы

Deck

Pump

Accessories

Cylinder head

Cylinder and crankcase

Crankcase cover

Crankshaft and piston

Valves

Ignition system

Carburetor

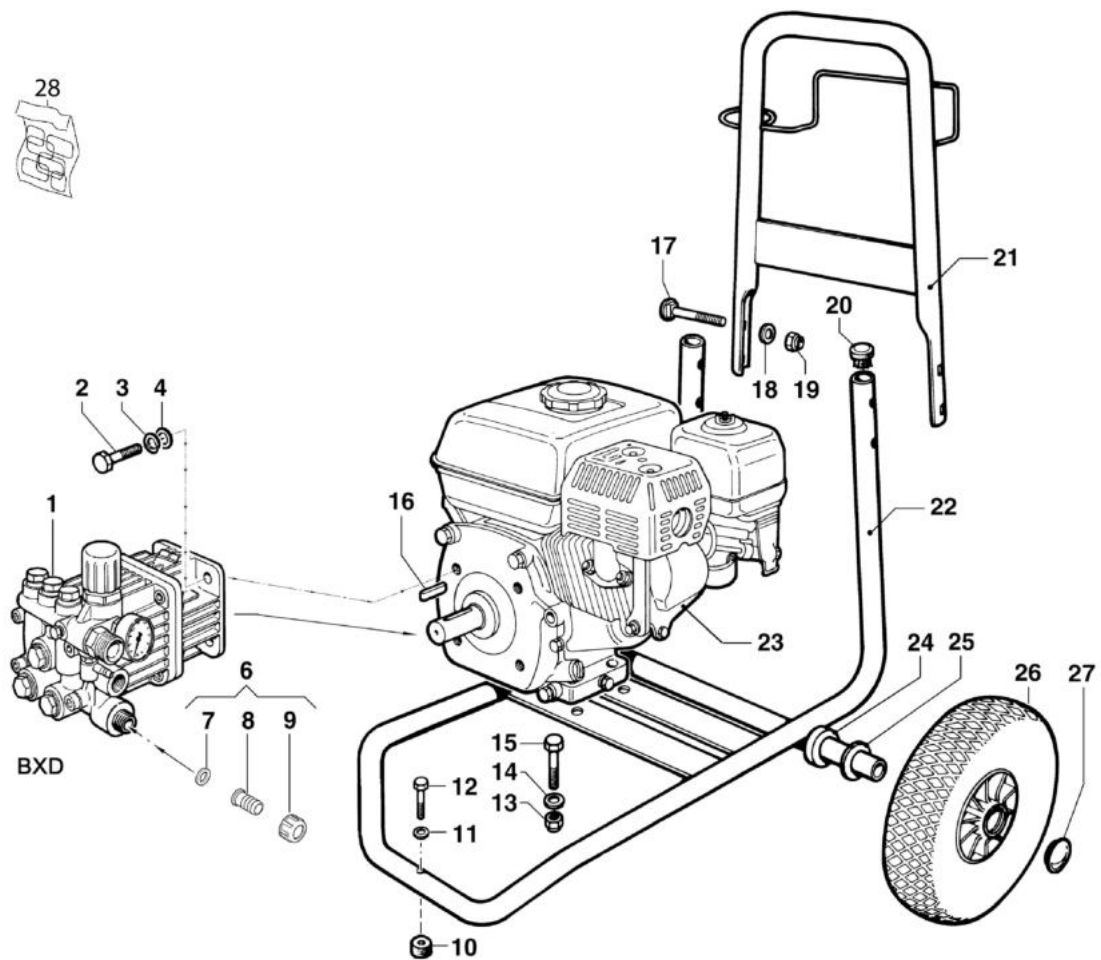
Flywheel and coil

Control lever

Air filter

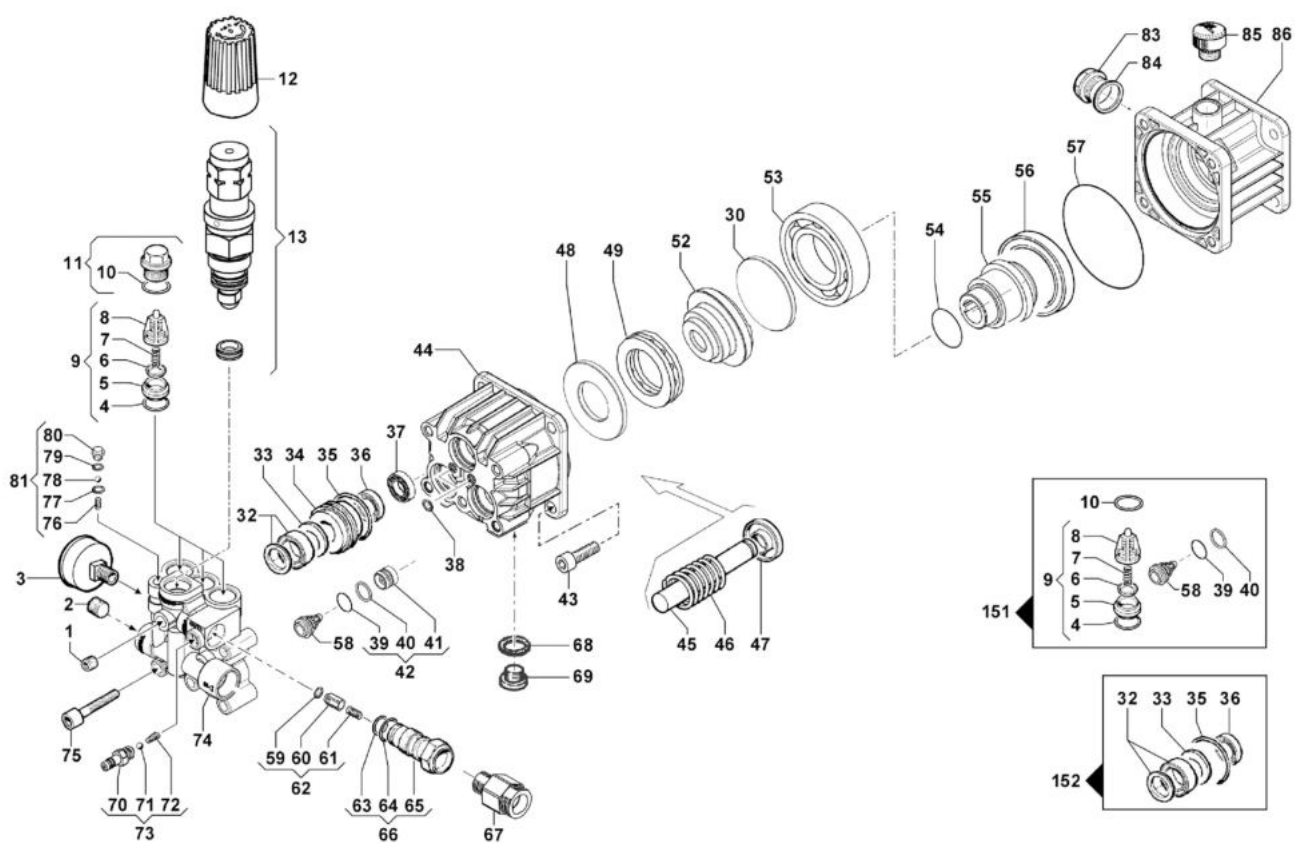
Muffler

Tank



изображение Deck

Ref.Nu	Qty	Part number	Description	Validity from	Validity till	Notes	Bulletin
1	1	CH65251035	Pump				
2	4	CH36070004	Screw				
3	4	CH28110016	Washer				
4	4	CH28190004	Washer				
6	1	CH14070043	Straight hose tail				
7	1	CH10020158	Filter				
8	1	CH28000098	Straight hose tail				
9	1	CH12230052	Wing nut				
10	1	CH30020402	Support				
11	1	CH28110125	Washer				
12	1	CH36090100	Screw				
13	4	CH06040039	Nut				
14	4	CH28110016	Washer				
15	4	CH36070018	Screw				
16	1	CH16020040	Key				
17	4	CH36050092	Special screw				
18	4	CH28110004	Washer				
19	4	CH06040039	Nut				
20	2	CH32000034	Cap				
21	1	CH18030062	Handlebar				
22	1	CH32060227	Frame				
23	-	-	Not available for this product				
24	2	CH28120071	Washer				
25	2	CH28120070	Washer				
26	2	CH28100018A	Wheel			Rosso; Red	
26	2	CH28100018A	Wheel			Nero; Black	
27	2	CH00090094	Wheel cover				
28	1	CH32155326	Labels kit				

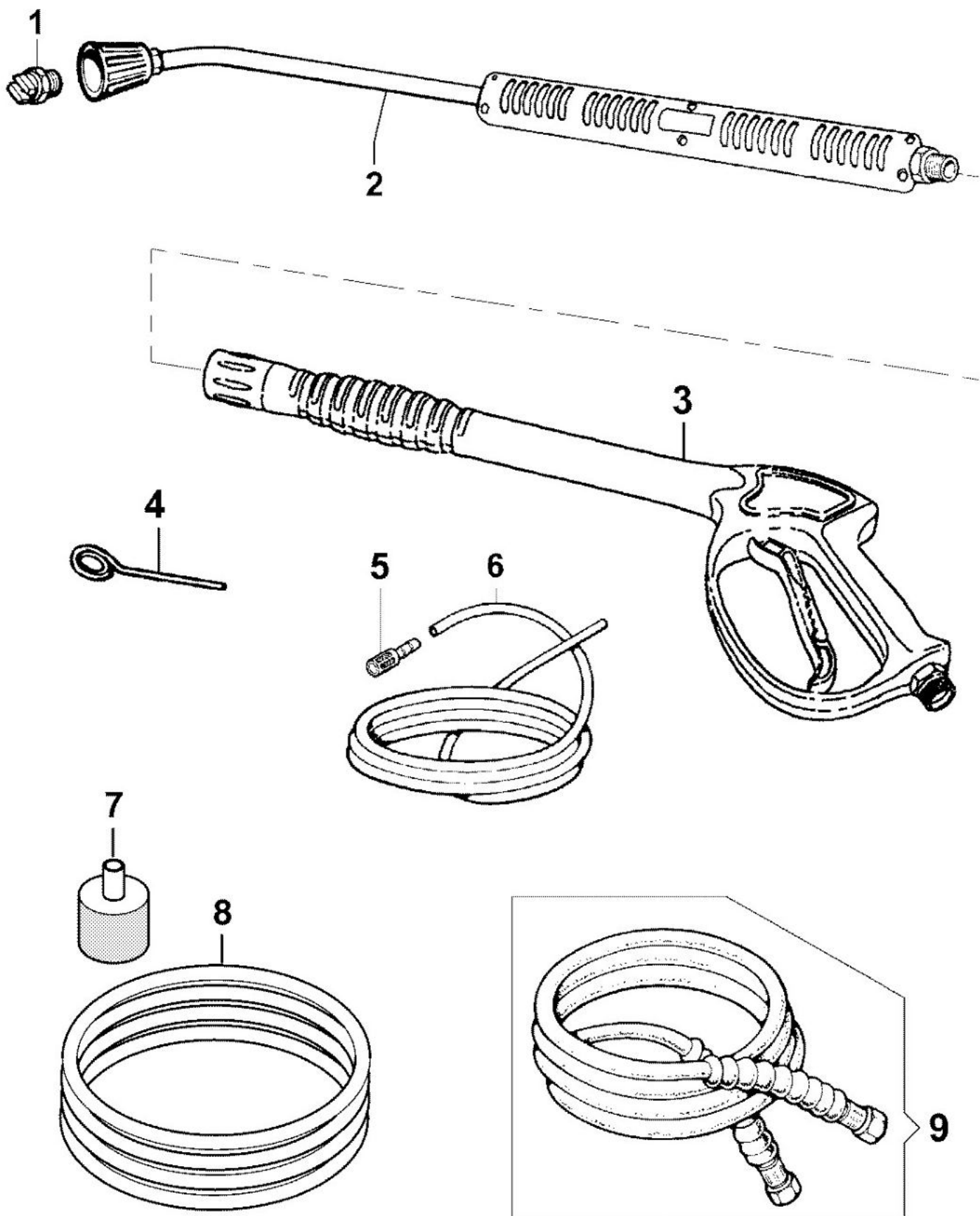


изображение Pump

Ref.Nu	Qty	Part number	Description	Validity from	Validity till	Notes	Bulletin
1	1	CH32020018	Cap				
2	1	CH32000007	Cap				
3	1	CH18160104	Pressure gauge				
4	6	CH12100049	O-ring				
5	6	CH30090170	Valve case				
6	6	CH36040028	Valve				
7	6	CH18020227	Spring				
8	6	CH12050037	Thrust bearing				
9	3	CH12200058	Reed valve kit				
10	3	CH12100151	O-ring				
11	3	CH32020311	Cap + OR				
12	1	CH18170064	Knob				
13	1	CH12150586	Regulation valve				
30	1	CH12010195	Gasket				
32	3	CH12410059	Gasket				
33	3	CH00090369	Ring			Anti-estrusione;	
34	3	CH00090309	Ring				
35	3	CH12100071	Gasket				
36	3	CH12410057	Gasket				
37	3	CH00190182	Seal ring				
38	2	CH12100146	O-ring				
39	3	CH12100093	O-ring				
40	3	CH00090224	Ring				
41	3	CH32020295	Cap				
42	3	CH32020294	Cap				
43	4	CH36090280	Screw				
44	1	CH04030179	Pump crankcase				
45	3	CH24090141	Piston				
46	3	CH18020276	Spring				
47	3	CH00090267	Ring				
48	1	CH28160088	Spacer				
49	1	CH04360017	Bearing				
52	1	CH00010522	Eccentric shaft				
53	1	CH04380076	Bearing				
54	1	CH12100462	O-ring				
55	1	CH00310020A	Shaft				
56	1	CH00190034	Seal ring				
57	1	CH12100561	Gasket				
58	3	CH12200058	Reed valve kit				
59	1	CH12100460	O-ring				
60	1	CH24090086	Piston				
61	1	CH18020197	Spring				
62	1	CH24090091	Check valve kit				
63	1	CH12100049	O-ring				

изображение Pmp

Ref.Nu	Qty	Part number	Description	Validity from	Validity till	Notes	Bulletin
64	1	CH12100040	O-ring				
65	1	CH34100311	Injector body				
66	1	CH34100319	Injector kit				
67	1	CH20000127	Fitting				
68	1	CH12090117	Gasket				
69	1	CH32000102	Oil cap				
70	1	CH28030424	Fittings				
71	1	CH30030024	Ball				
72	1	CH18020180	Spring				
73	1	CH28030435	Fittings kit				
74	1	CH32180358A	Top cover				
75	5	CH36090287	Screw				
76	1	CH18020277	Spring				
77	1	CH12100463	Gasket				
78	1	CH30030033	Ball				
79	1	CH12100463	Gasket				
80	1	CH32020319	Cap				
81	1	CH50330010	Cap				
83	1	CH32010027	Warning light				
84	1	CH12100048	O-ring				
85	1	CH32000122	Oil cap				
86	1	CH30020711	Support				
151	1	CH50250027	Suction/delivery valve kit				
152	1	CH50190667	Piston seal kit				

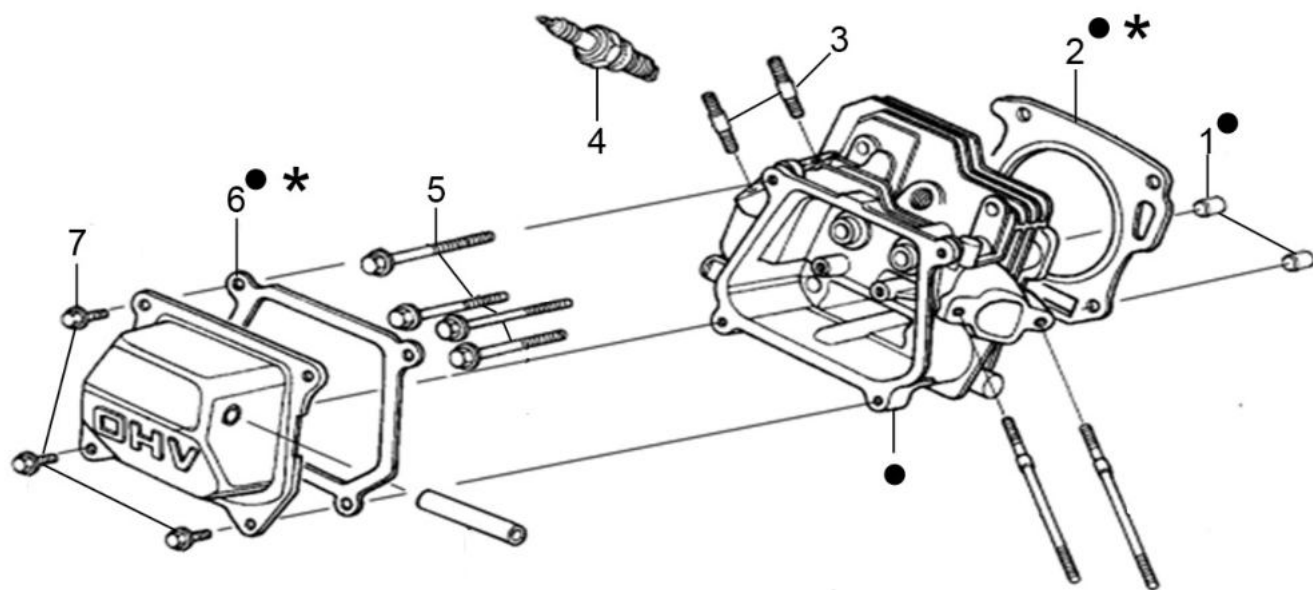


изображение Accessories

Ref.Nu	Qty	Part number	Description	Validity from	Validity till	Notes	Bulletin
1	1	CH34000702	Water nozzle				
2	1	68500038	Lance with adjustable nozzle				
3	1	68500030	Spray gun				
4	1	CH04550013	Needle				
5	1	CH10020055	Filter			Detergente; Detergent	
6	1	CH32080705	Detergent hose				
7	1	CH04010041	Suction filter				
8	1	CH32081238	Tube				
9	1	68500025	H.p. hose kit			Kit tubo alta pressione; H.P. hose kit	

9●

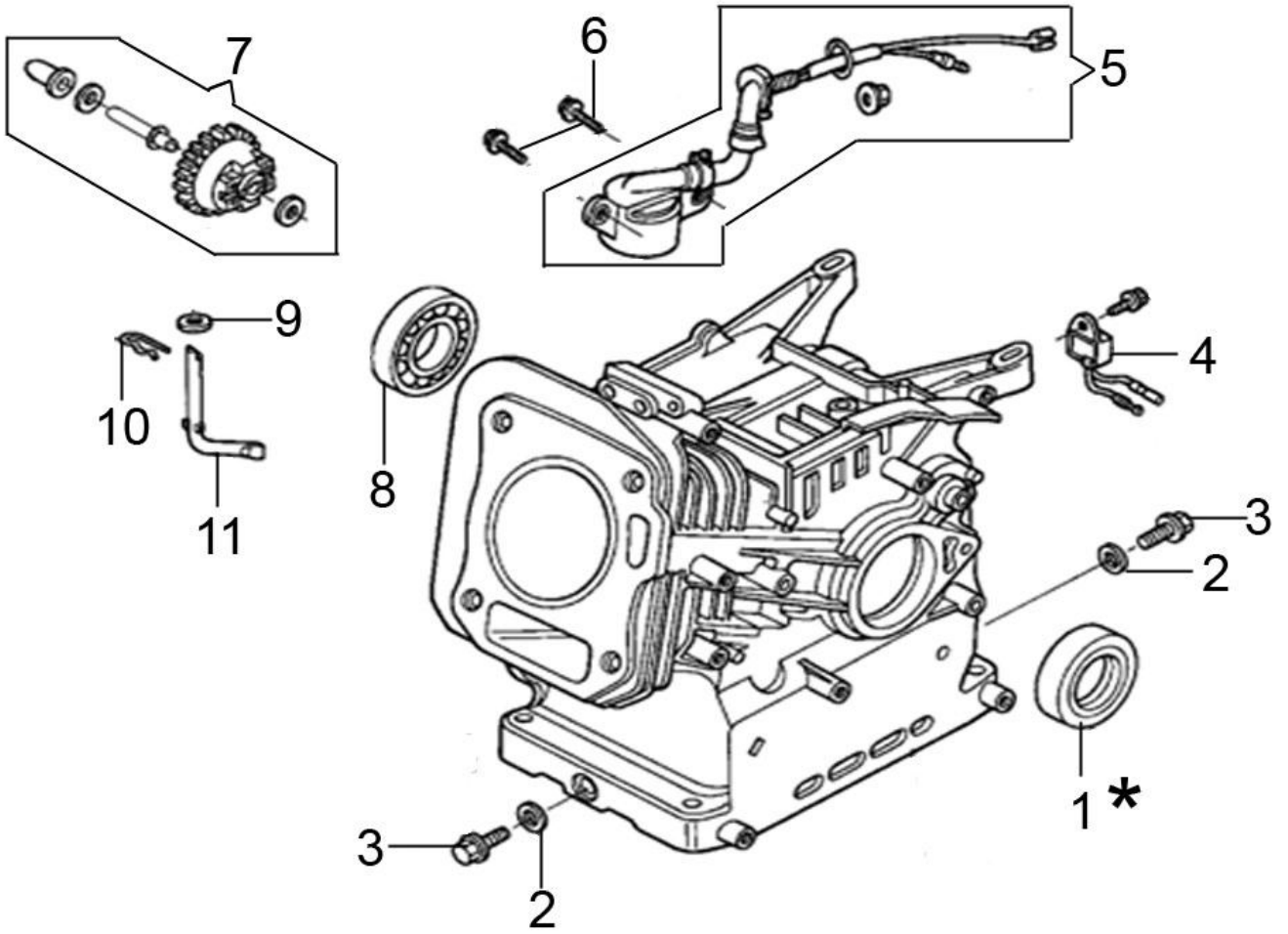
8*



изображение Cylinder head

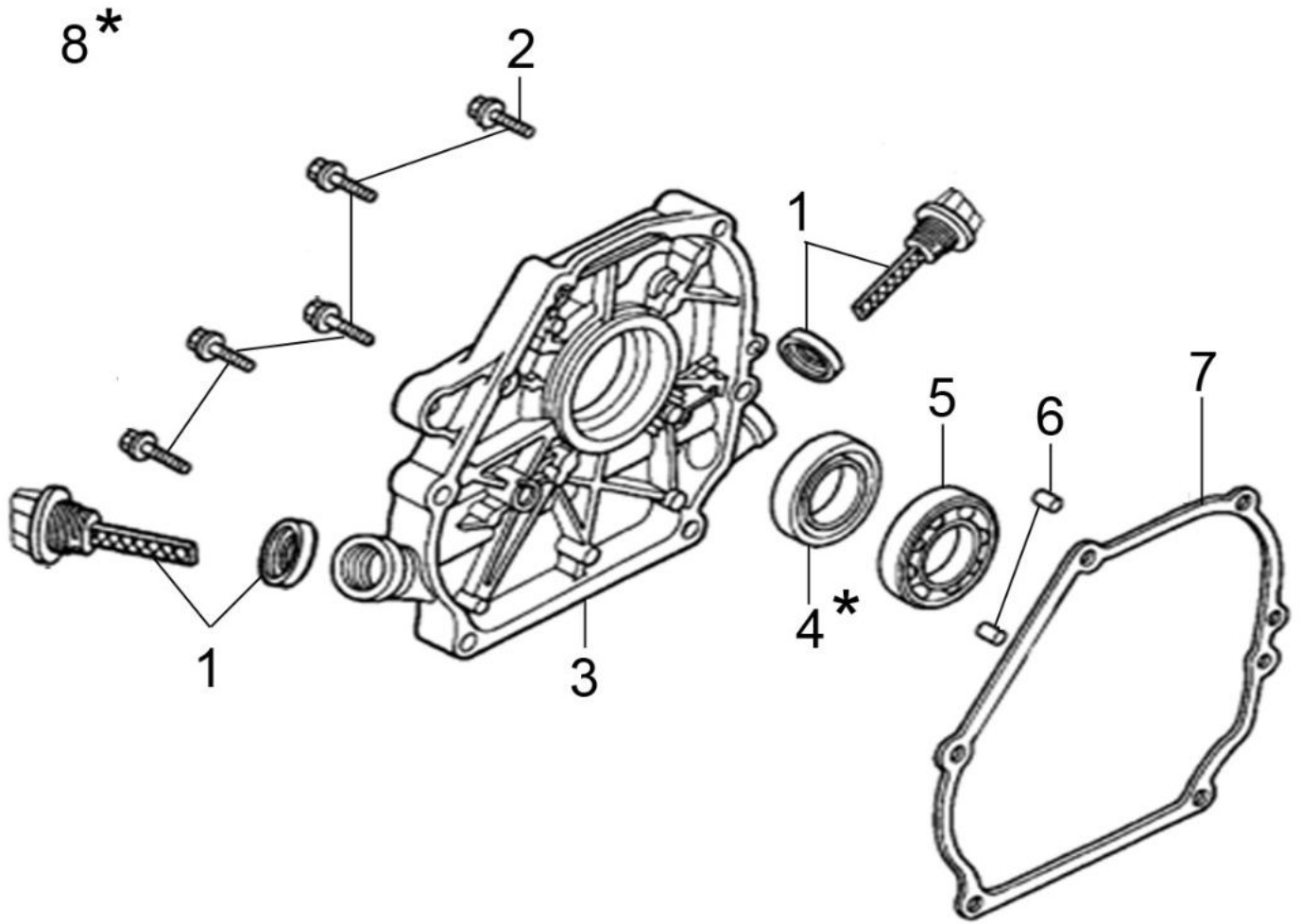
Ref.Nu	Qty	Part number	Description	Validity from	Validity till	Notes	Bulletin
1	1	L66150350	Plug				
2	2	L66150833	Gasket				
3	2	L66150324	Stud				
4	1	3055123R	Spark plug				
5	2	L66150323	Screw				
6	1	L66150476	Gasket				
7	4	L66150322	Screw				
8	1	L66150834	Gasket set				
9	1	L66150835	Head comp.cylinder				

12*



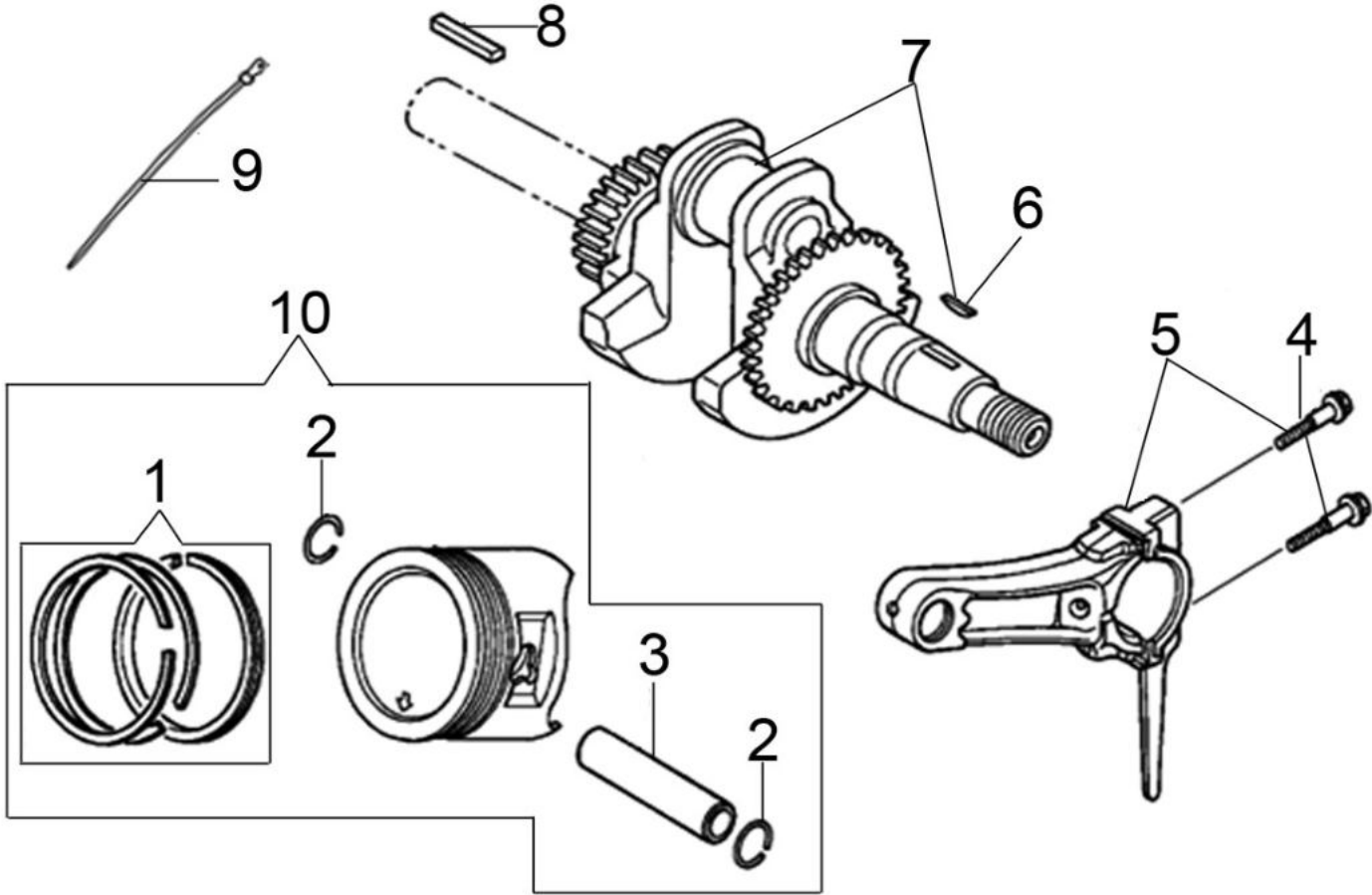
изображение Cylinder and crankcase

Ref.Nu	Qty	Part number	Description	Validity from	Validity till	Notes	Bulletin
1	1	L66150462	Oil seal				
2	2	L66150354	Washer				
3	2	L66150352	Screw				
4	1	L66150837	Switch				
5	1	L66150838	Switch				
6	2	L66150322	Screw				
7	1	L66150304	Governor				
8	1	L66150355	Bearing				
9	1	L66150325	Washer				
10	1	L66150353	Plug				
11	1	L66150302	Shaft				
12	1	L66150834	Gasket set				



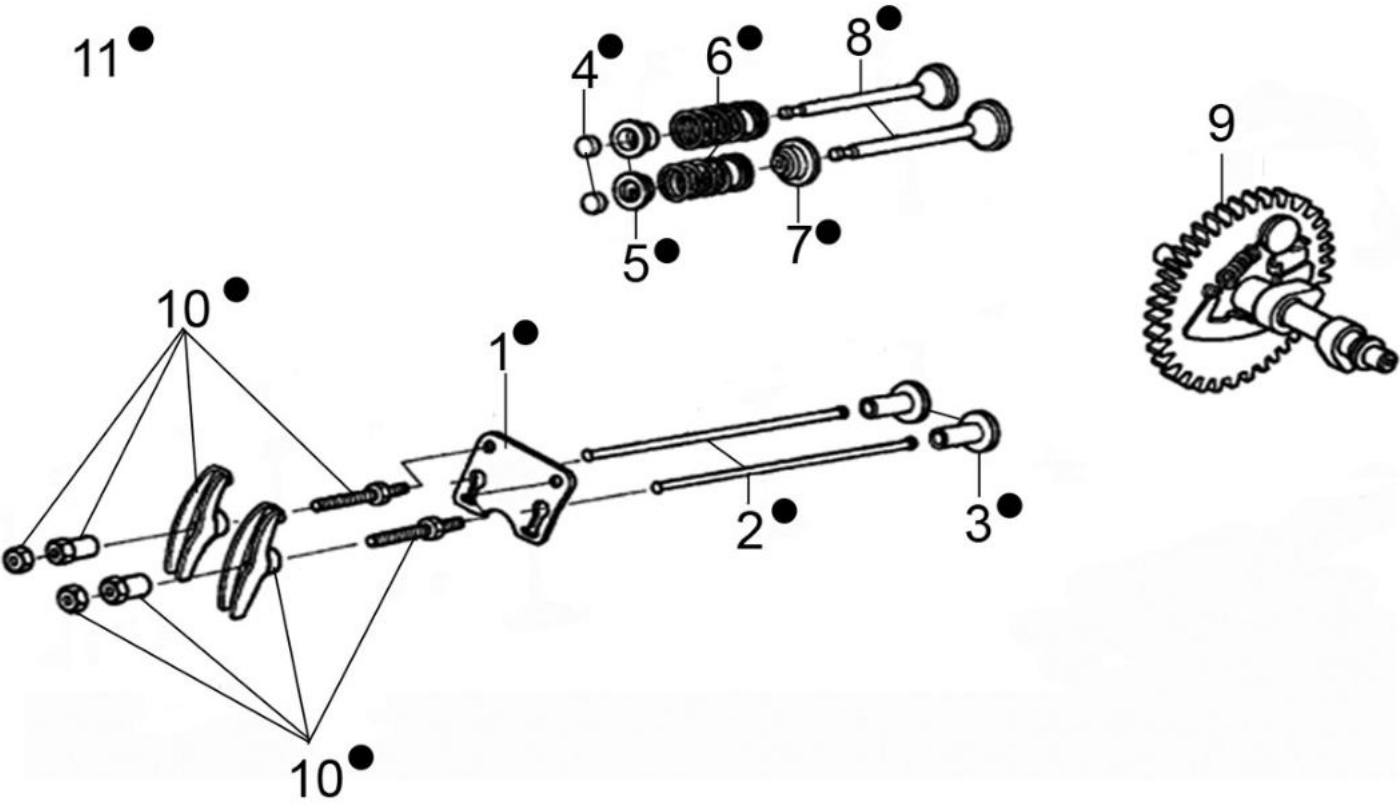
изображение Crankcase cover

Ref.Nu	Qty	Part number	Description	Validity from	Validity till	Notes	Bulletin
1	2	L66151232	Cap				
2	6	L66150319	Screw				
3	1	L66150625	Crankcase cover				
4	1	L66150462	Oil seal				
5	1	L66150355	Bearing				
6	2	L66150357	Plug				
7	1	L66150626	Gasket				
8	1	L66150834	Gasket set				



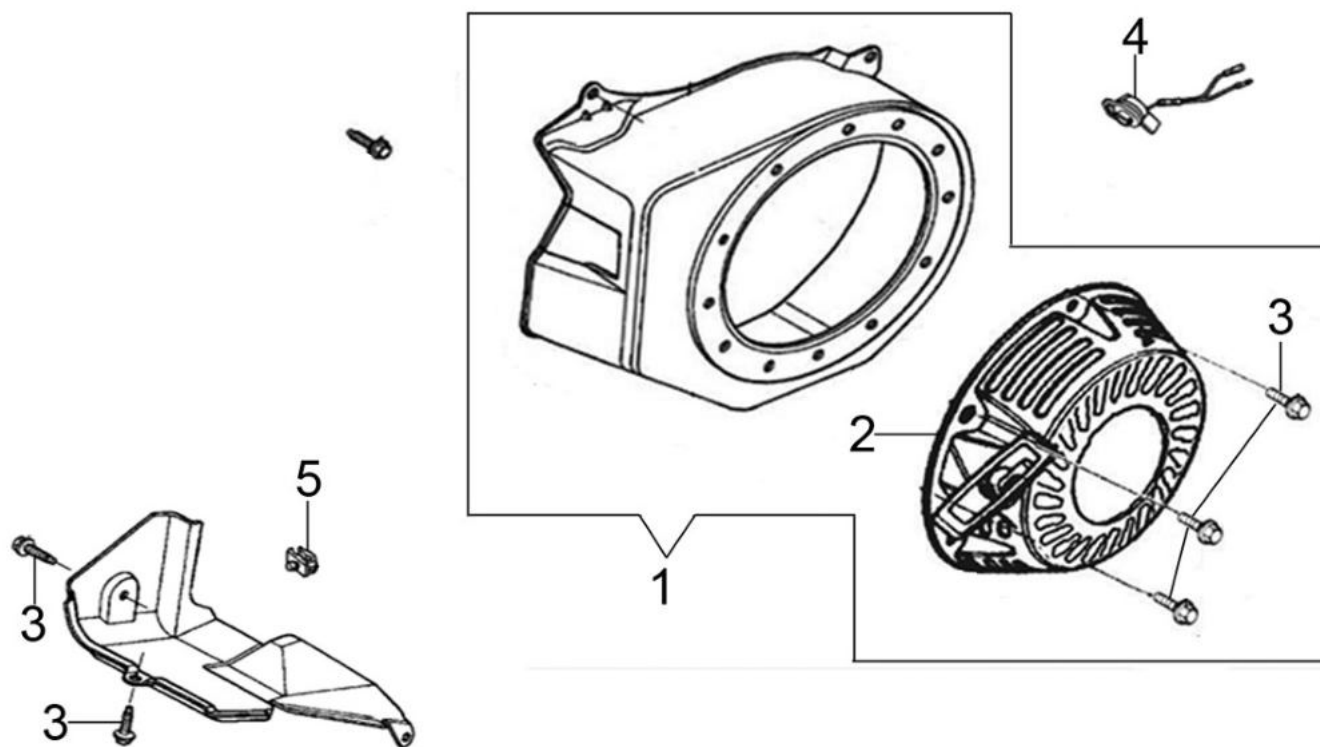
изображение Crankshaft and piston

Ref.Nu	Qty	Part number	Description	Validity from	Validity till	Notes	Bulletin
1	1	L66150628	Piston ring set				
2	2	L66150075	Snap ring				
3	1	L66150077	Piston pin				
4	2	L66150078	Connecting rod bolt				
5	1	L66150629	Connecting rod cpl.				
6	1	L66150081	Key				
7	1	L66150839	Complete shaft				
8	1	L66150845	Key				
9	1	L66150505	Clip				
10		L66150846	Piston assy				



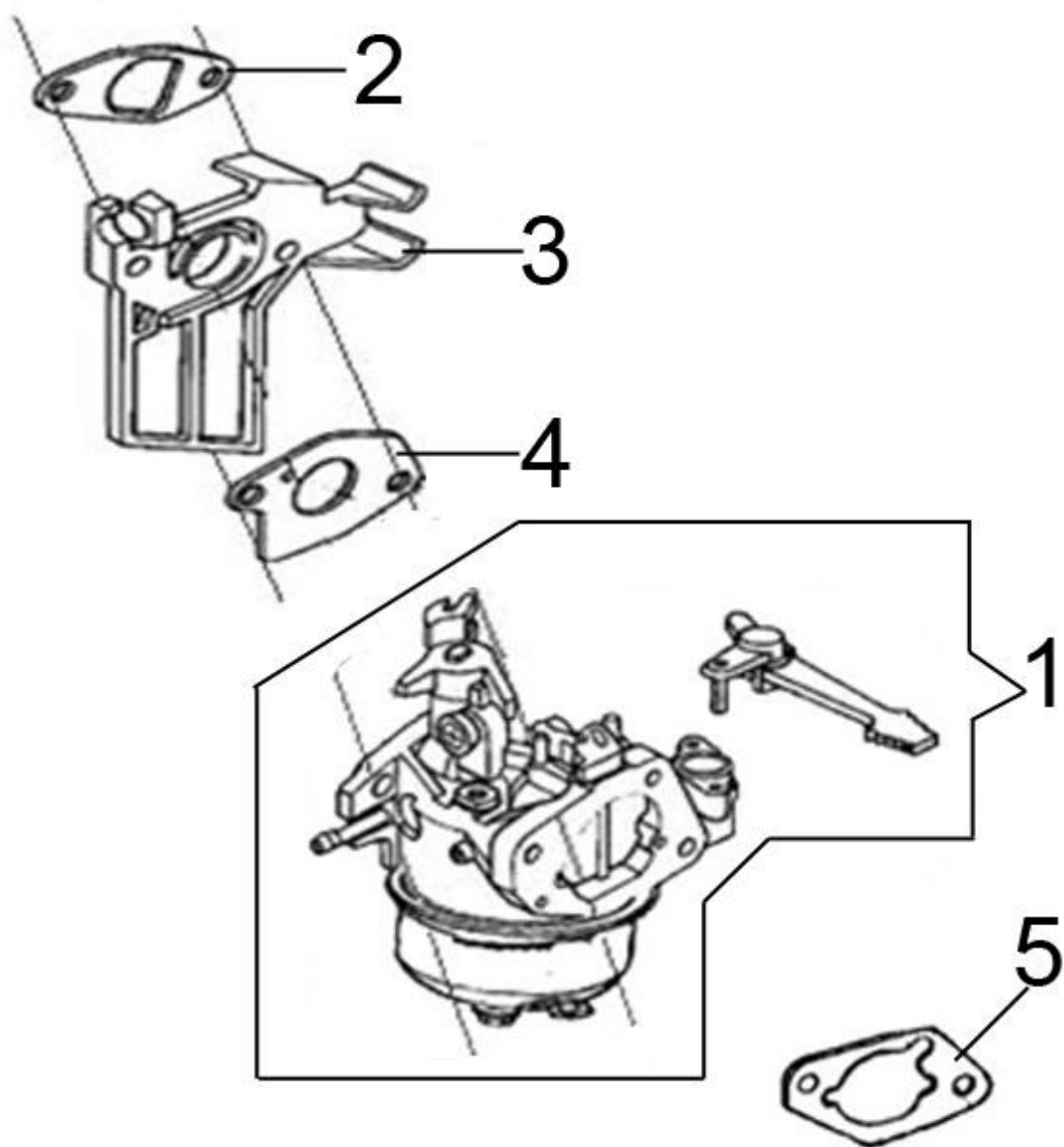
изображение Valves

Ref.Nu	Qty	Part number	Description	Validity from	Validity till	Notes	Bulletin
1	1	L66150287	Plate (guide)				
2	2	L66150285	Rod				
3	2	L66150286	Slide				
4	2	L66150364	Valve				
5	2	L66150365	Ring				
6	2	L66150366	Valves spring				
7	1	L66150484	Slide				
8	1	L66151233	Reed valve kit				
9	1	L66150840	Complete shaft				
10	2	L66150368	Compensator				
11	1	L66150835	Head comp.cylinder				



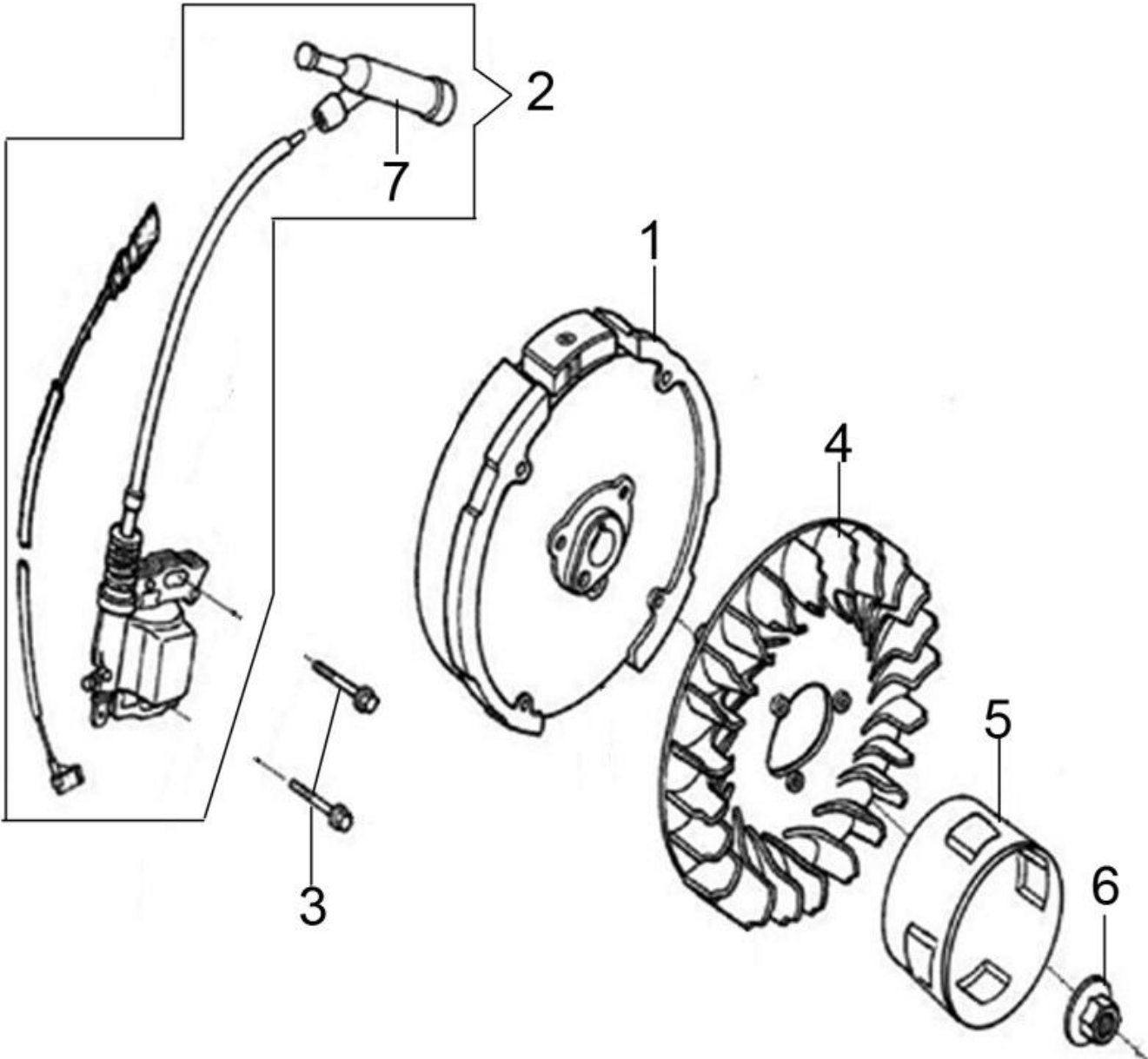
изображение Ignition system

Ref.Nu	Qty	Part number	Description	Validity from	Validity till	Notes	Bulletin
1	1	L66150847	Starter assy				
2	1	L66150848	Starter assy				
3	3	L66150339	Screw				
4	1	L66150849	Switch				
5	1	L66150638	Clip				



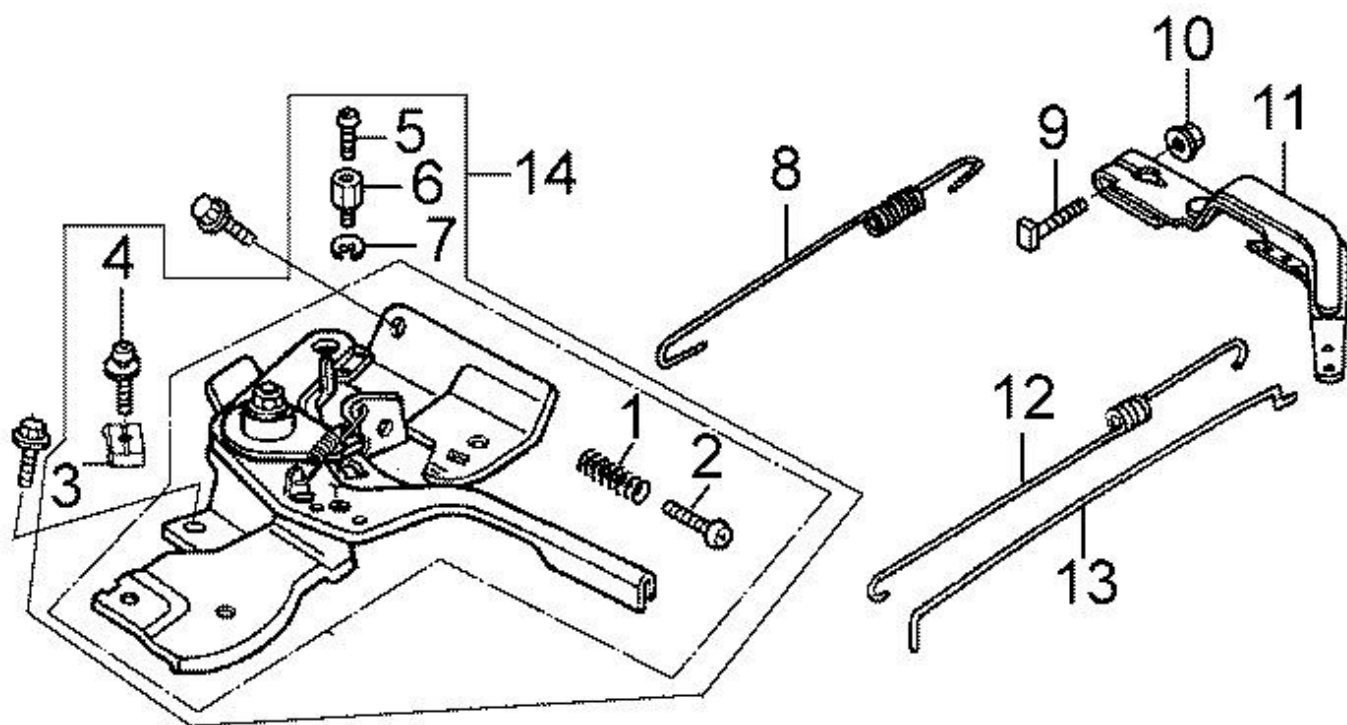
изображение Carburetor

Ref.Nu	Qty	Part number	Description	Validity from	Validity till	Notes	Bulletin
1	1	L66150289A	Carburetor				
2	1	L66150291	Gasket				
3	1	L66150842	Insulator				
4	1	L66150290	Gasket				
5	1	L66150292	Gasket				



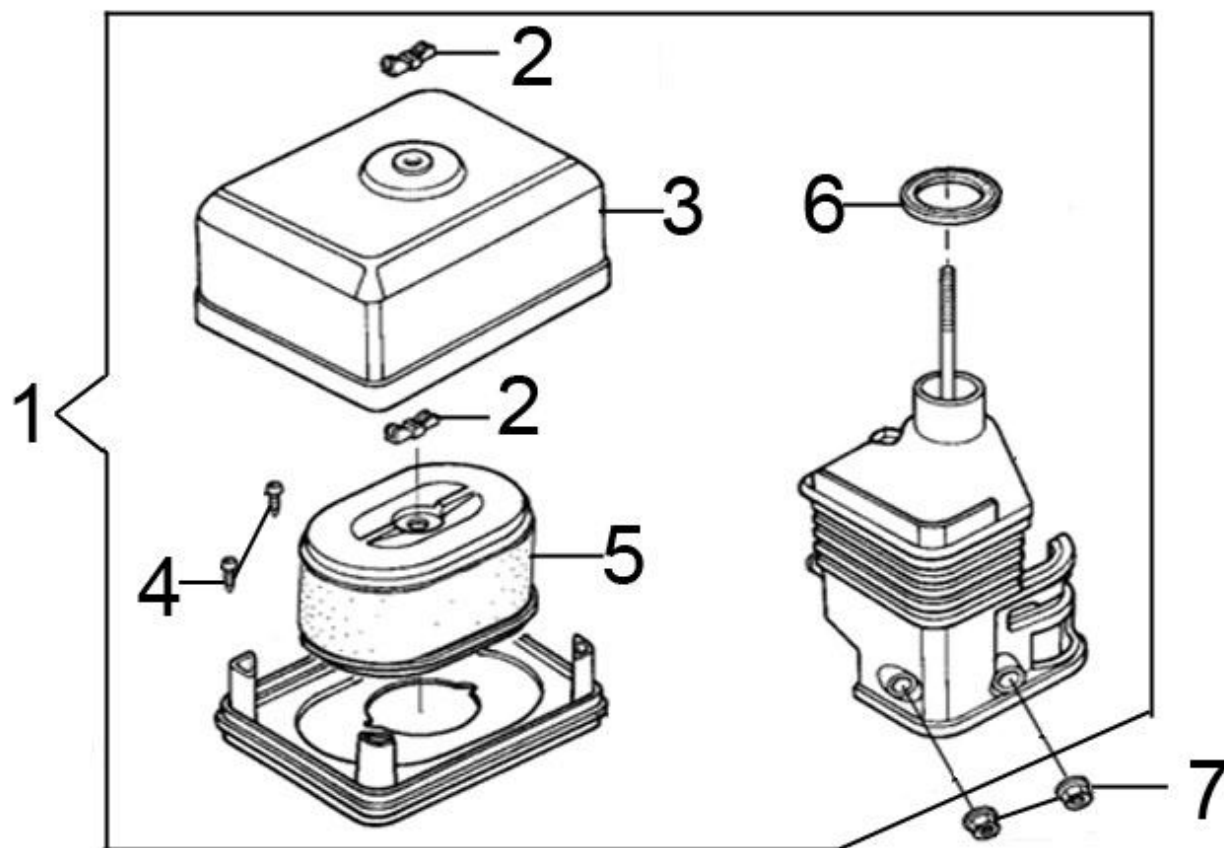
изображение Flywheel and coil

Ref.Nu	Qty	Part number	Description	Validity from	Validity till	Notes	Bulletin
1	1	L66150640	Flywheel				
2	1	L66150850	Ignition coil				
3	2	L66150321	Screw				
4	1	L66150641	Fan				
5	1	L66150147	Pulley				
6	1	L66150376	Nut				
7	1	L66150371	Spark plug cap				



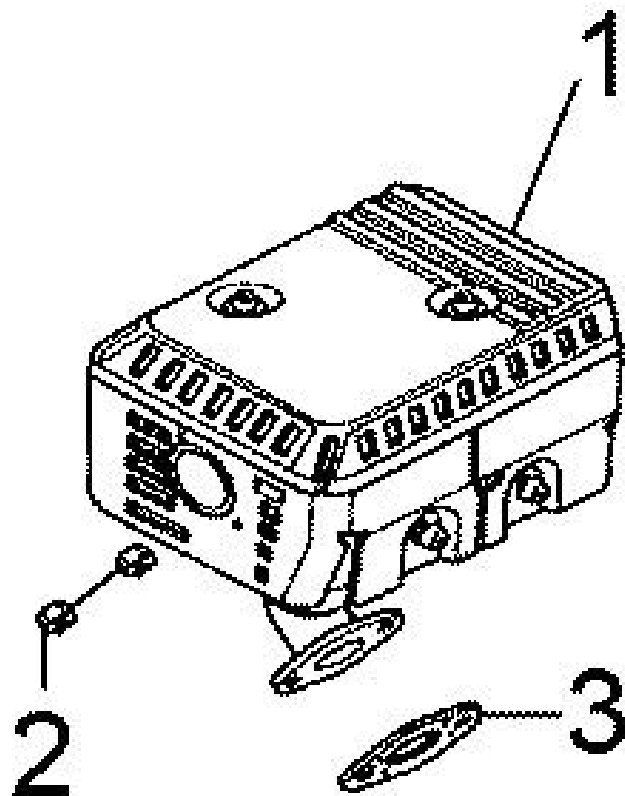
изображение Control lever

Ref.Nu	Qty	Part number	Description	Validity from	Validity till	Notes	Bulletin
1	1	L66150380	Spring				
2	1	L66150381	Screw				
3	1	L66150378	Fairled				
4	1	L66150379	Screw				
5	1	L66150851	Screw				
6	1	L66150852	Support				
7	1	L66150853	Circlip				
8	1	L66150854	Spring				
9	1	L66150382	Screw				
10	1	004400959R	Nut				
11	1	L66150843	Arm				
12	1	L66150300	Spring				
13	1	L66150495	Throttle rod				
14	1	L66150844	Complete lever				



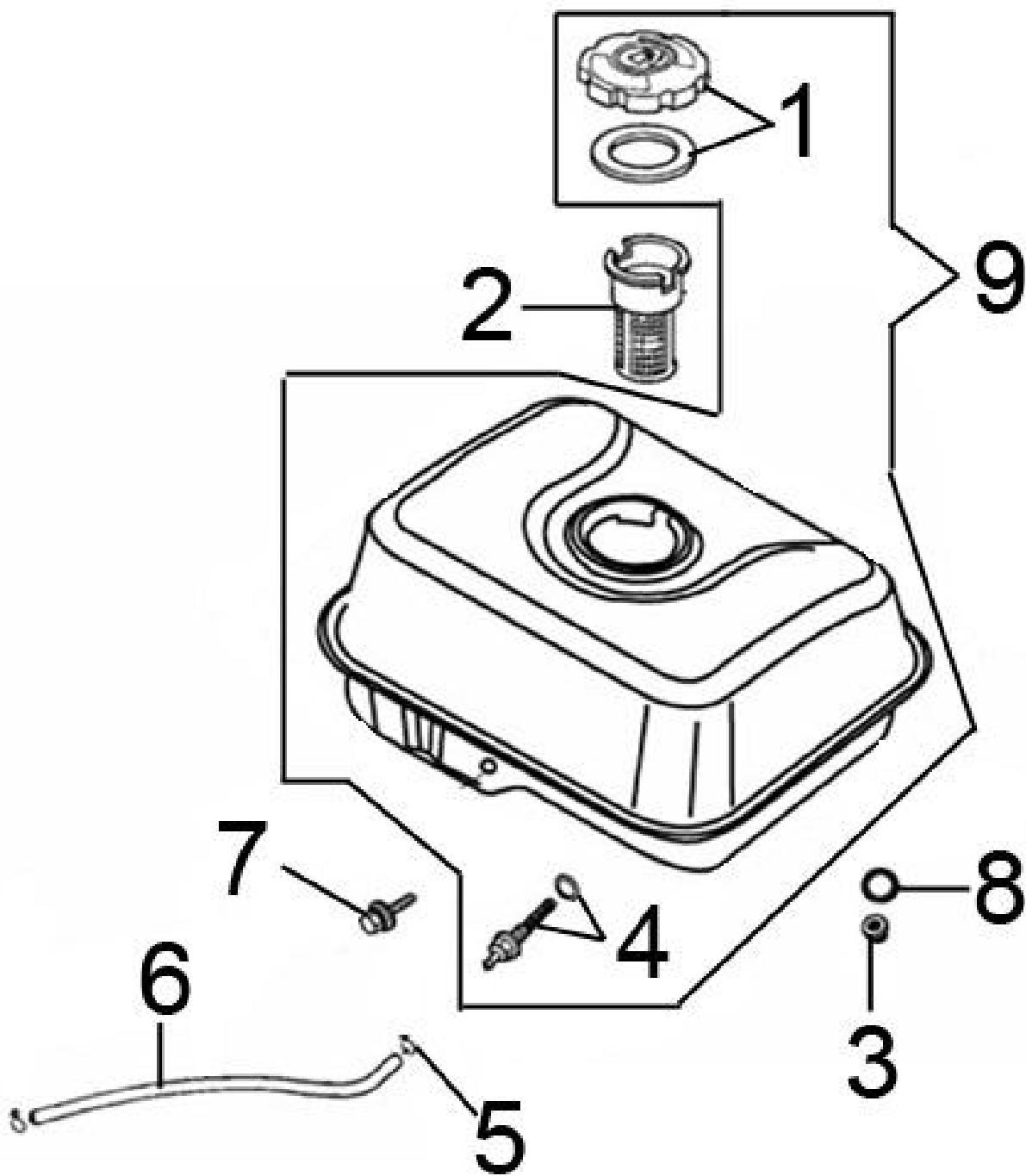
изображение Air filter

Ref.Nu	Qty	Part number	Description	Validity from	Validity till	Notes	Bulletin
1	1	L66150644	Air filter				
2	2	L66150384	Nut				
3	1	L66150645	Air filter cover				
4	2	L66150386	Screw				
5	1	L66150646	Air filter				
6	1	L66150648	Oil seal				
7	2	L66150185	Nut				



изображение Muffler

Ref.Nu	Qty	Part number	Description	Validity from	Validity till	Notes	Bulletin
1	1	L66150836	Muffler				
2	2	320000028R	Nut				
3	1	L66150651	Gasket				



изображение Tank

Ref.Nu	Qty	Part number	Description	Validity from	Validity till	Notes	Bulletin
1	1	L66150297	Cap				
2	1	L66150841	Fuel filter				
3	2	L66150185	Nut				
4	1	L66150295	Fitting				
5	2	L66150328	Band				
6	1	L66150327	Fuel line				
7	1	L66150321	Screw				
8	2	L66150624	Washer				
9	1	L66150627	Complete tank				