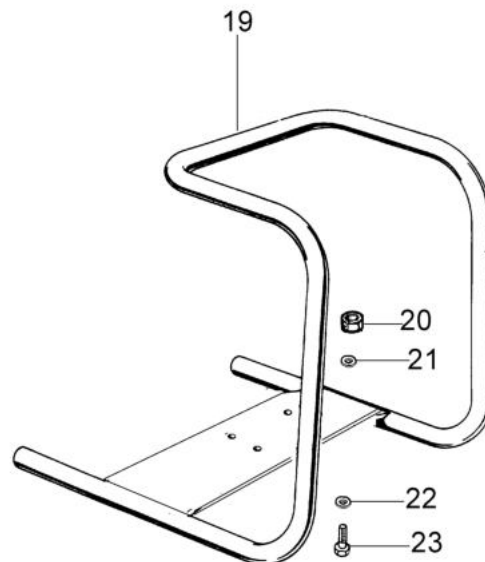
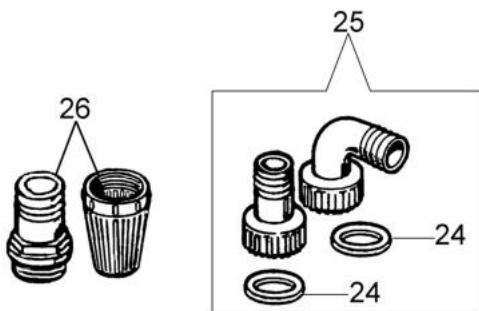
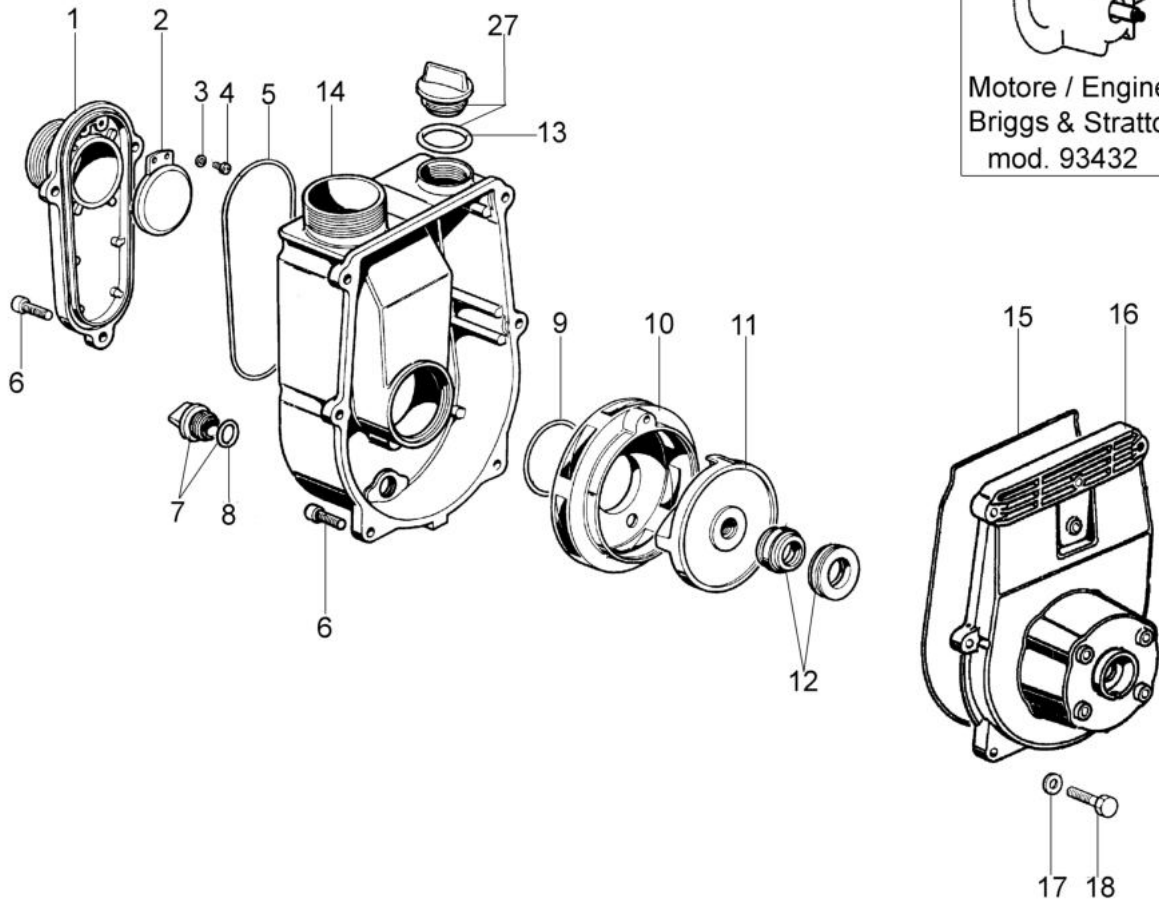


FS 45 TL (B&S) Water pump



Документы

[Illustrated parts list](#)



изображение Illustrated parts list

Ref.Nu	Qty	Part number	Description	Validity from	Validity till	Notes	Bulletin
1		322000015A	Cover				
2		322000009	Valve				
3		322000004	Washer				
4		300000058R	Screw				
5		322000007R	O-ring				
6		3801046	Screw				
7		310000010	Cap				
8		3049018R	O-ring				
9		322000005	O-ring				
10		322000050	Diffuser				
11		322000022	Impeller				
12		322000026	Seal ring				
13		3049019	O-ring				
14		322000011	Body				
15		322000006	O-ring				
16		322000023	Cover				
17		322000027	Screw				
18		322000043	Washer				
19		342000094	Frame				
20		3912009	Nut				
21		3819013R	Grower				
22		3916009R	Washer				
23		3806076R	Screw				
24		342000019	Gasket				
25		342000017	Fittings kit				
26		342000007R	Filter				
27		320000001R	Complete cap				