

## ARTIK 56 Snow blower



### Документы

Handle-bar and control box

---

Complete engine

---

Transmission assy

---

Snow thrower assy

---

Cylinder head

---

Cylinder and crankcase

---

Crankcase cover

---

Crankshaft and piston

---

Valves

---

Ignition system

---

Carburetor

---

Flywheel and coil

---

Control lever

---

Air filter

---

Muffler

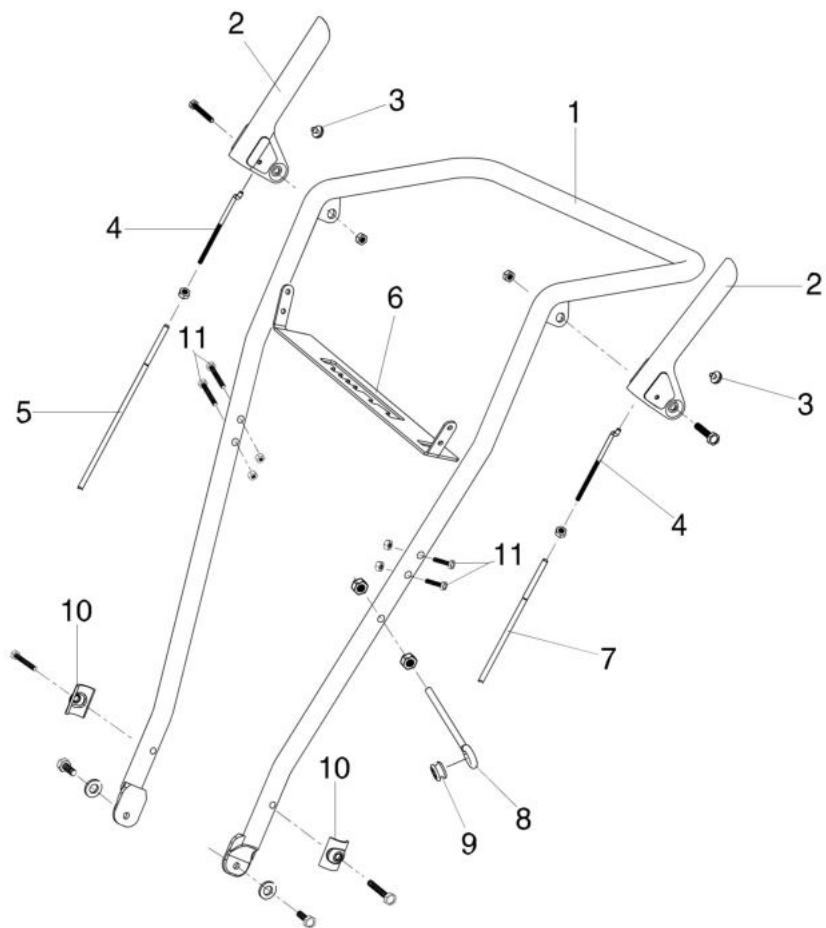
---

Tank

---

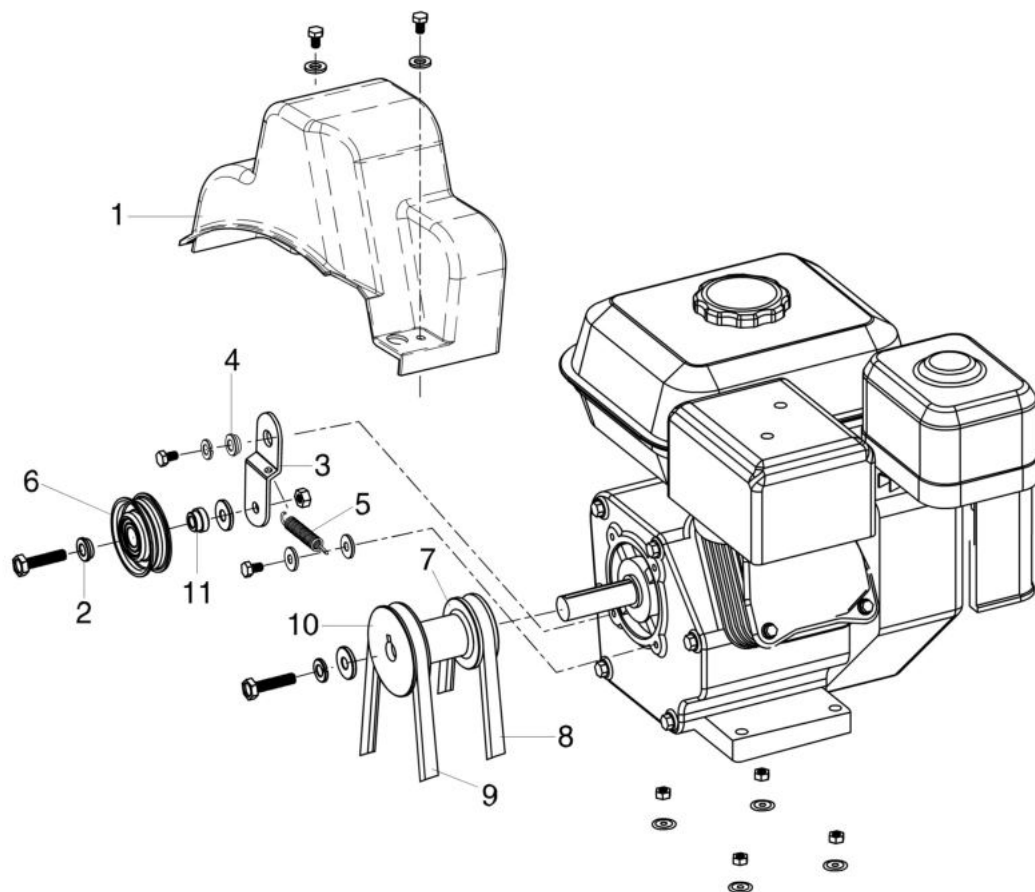
Cover

---



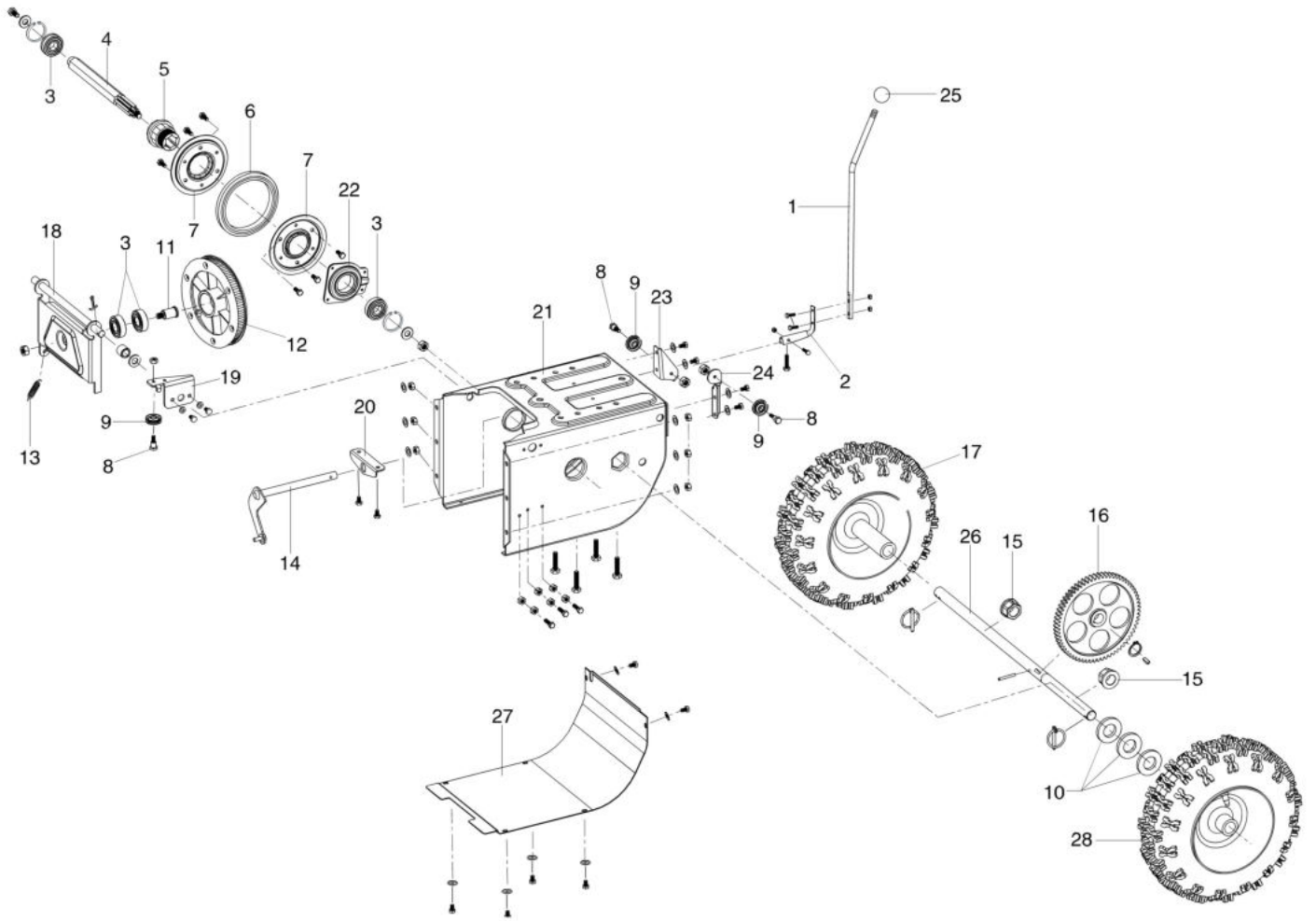
## изображение Handle-bar and control box

| Ref.Nu | Qty | Part number | Description            | Validity from | Validity till | Notes              | Bulletin |
|--------|-----|-------------|------------------------|---------------|---------------|--------------------|----------|
| 1      | 1   | ZM000001    | Handlebar              |               |               |                    |          |
| 2      | 2   | ZM000002    | Lever                  |               |               |                    |          |
| 3      | 2   | ZM000003    | Cap                    |               |               | Gomma; Rubber      |          |
| 4      | 2   | ZM000004    | Lever connecting shaft |               |               |                    |          |
| 5      | 1   | ZM000005    | Traction cable         |               |               | Trazione; Traction |          |
| 6      | 1   | ZM000171    | Plate                  |               |               |                    |          |
| 7      | 1   | ZM000007    | Bowden cable           |               |               | Rotore; Rotor      |          |
| 8      | 1   | ZM000173    | Support                |               |               |                    |          |
| 9      | 1   | ZM000174    | Bush                   |               |               |                    |          |
| 10     | 2   | ZM000172    | Plate                  |               |               |                    |          |
| 11     | 4   | ZM000006    | Bolt                   |               |               |                    |          |



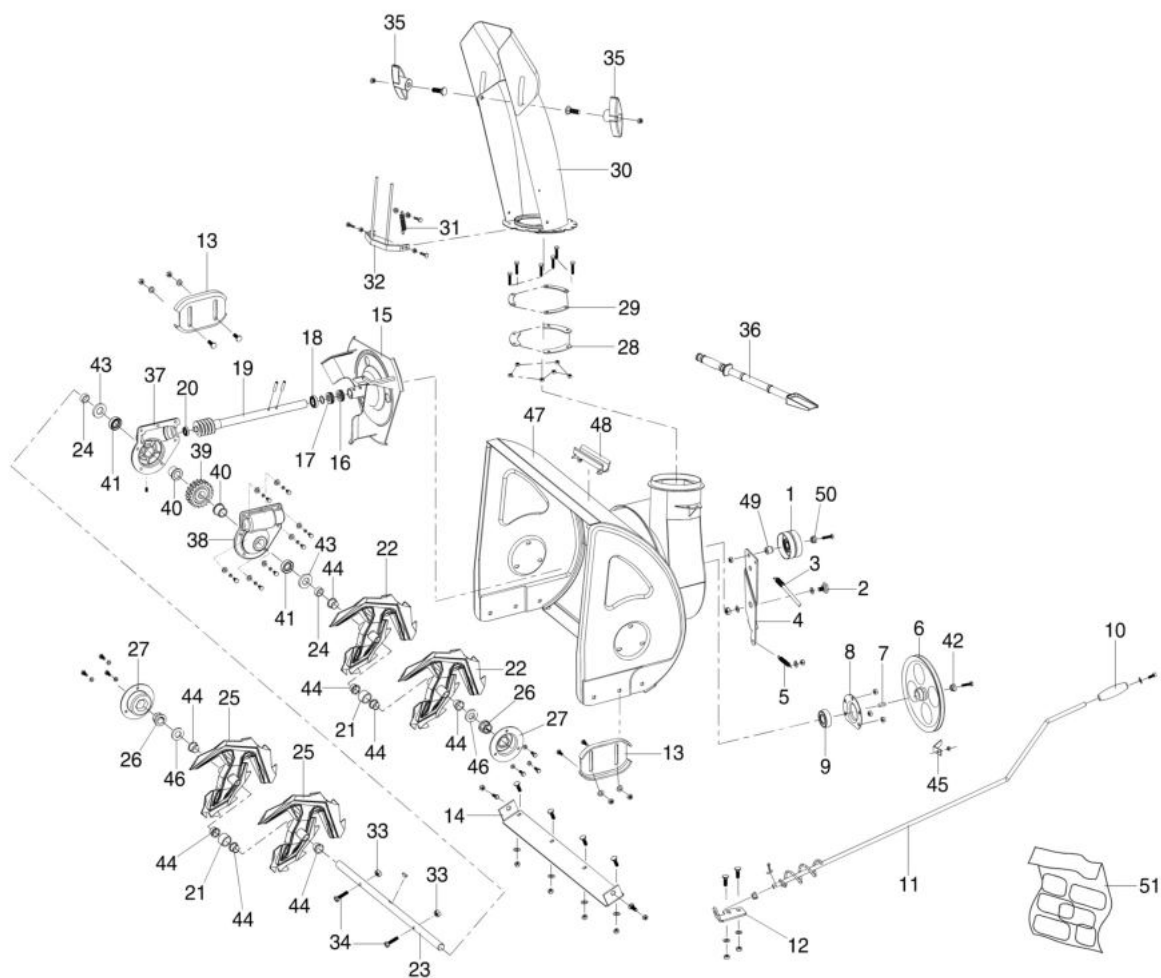
## изображение Complete engine

| Ref.Nu | Qty | Part number | Description | Validity from | Validity till | Notes             | Bulletin |
|--------|-----|-------------|-------------|---------------|---------------|-------------------|----------|
| 1      | 1   | ZM000008    | Belt cover  |               |               |                   |          |
| 2      | 1   | ZM000377    | Bushing     |               |               |                   |          |
| 3      | 1   | ZM000010    | Support     |               |               |                   |          |
| 4      | 1   | ZM000011    | Bushing     |               |               |                   |          |
| 5      | 1   | ZM000012    | Spring      |               |               |                   |          |
| 6      | 1   | ZM000013    | Pulley      |               |               |                   |          |
| 7      | 1   | ZM000014    | Pulley      |               |               | Dentata; Toothed  |          |
| 8      | 1   | ZM000015    | Belt        |               |               | AOLIDA HTD 750-5M |          |
| 9      | 1   | ZM000016    | V belt      |               |               | TRUFLEX G 4LXP885 |          |
| 10     | 1   | ZM000017    | Pulley      |               |               |                   |          |
| 11     | 1   | ZM000378    | Bushing     |               |               |                   |          |



## изображение Transmission assy

| Ref.Nu | Qty | Part number | Description     | Validity from | Validity till | Notes           | Bulletin |
|--------|-----|-------------|-----------------|---------------|---------------|-----------------|----------|
| 1      | 1   | ZM000018    | Lever           |               |               |                 |          |
| 2      | 1   | ZM000019    | Bracket         |               |               |                 |          |
| 3      | 4   | ZM000020    | Bearing         |               |               |                 |          |
| 4      | 1   | ZM000021    | Shaft           |               |               |                 |          |
| 5      | 1   | ZM000022    | Wheel           |               |               |                 |          |
| 6      | 1   | ZM000023    | Rubber ring     |               |               |                 |          |
| 7      | 2   | ZM000024    | Flange          |               |               |                 |          |
| 8      | 2   | ZM000025    | Screw           |               |               |                 |          |
| 9      | 2   | ZM000026    | Pulley          |               |               |                 |          |
| 10     | 3   | ZM000229    | Washer          |               |               |                 |          |
| 11     | 1   | ZM000028    | Shaft           |               |               |                 |          |
| 12     | 1   | ZM000029    | Flywheel        |               |               |                 |          |
| 13     | 1   | ZM000030    | Spring          |               |               |                 |          |
| 14     | 1   | ZM000031    | Fork            |               |               |                 |          |
| 15     | 2   | ZM000032    | Sleeve          |               |               |                 |          |
| 16     | 1   | ZM000033    | Gear            |               |               |                 |          |
| 17     | 1   | ZM000034    | Complete wheel  |               |               | Destra ; Right  |          |
| 18     | 1   | ZM000189    | Bracket support |               |               |                 |          |
| 19     | 1   | ZM000193    | Plate (guide)   |               |               |                 |          |
| 20     | 1   | ZM000190    | Plate           |               |               |                 |          |
| 21     | 1   | ZM000194    | Gear case assy  |               |               |                 |          |
| 22     | 1   | ZM000101    | Cover           |               |               |                 |          |
| 23     | 1   | ZM000191    | Support         |               |               |                 |          |
| 24     | 1   | ZM000195    | Support         |               |               |                 |          |
| 25     | 1   | ZM000170    | Knob            |               |               |                 |          |
| 26     | 1   | ZM000196    | Shaft           |               |               |                 |          |
| 27     | 1   | ZM000192    | Plate           |               |               |                 |          |
| 28     | 1   | ZM000382    | Complete wheel  |               |               | Sinistra ; Left |          |





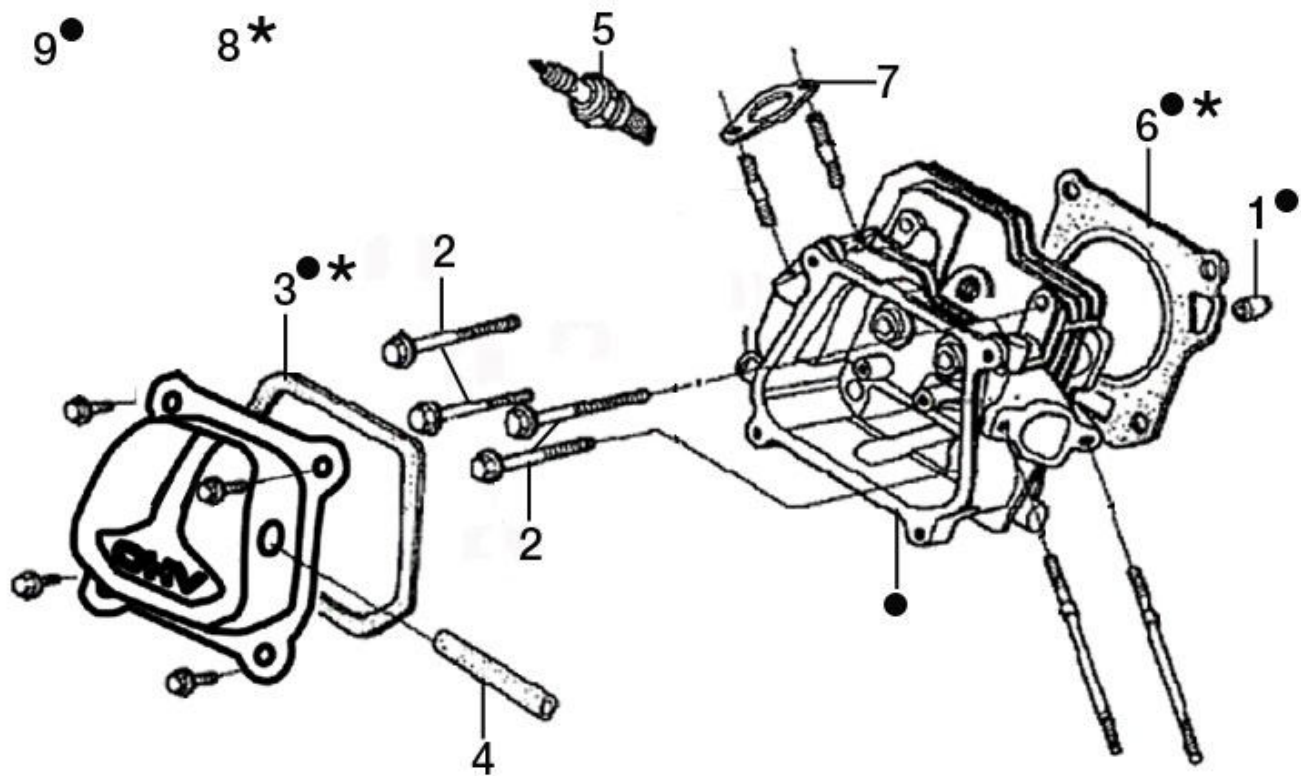
## изображение Snow thrower assy

| Ref.Nu | Qty | Part number | Description      | Validity from | Validity till | Notes                   | Bulletin |
|--------|-----|-------------|------------------|---------------|---------------|-------------------------|----------|
| 1      | 1   | ZM000035    | Pulley           |               |               |                         |          |
| 2      | 1   | ZM000036    | Bolt             |               |               |                         |          |
| 3      | 1   | ZM000037    | Spring           |               |               |                         |          |
| 4      | 1   | ZM000038    | Main board       |               |               |                         |          |
| 5      | 1   | ZM000039    | Spring           |               |               |                         |          |
| 6      | 1   | ZM000040    | Pulley           |               |               |                         |          |
| 7      | 1   | ZM000041    | Key              |               |               |                         |          |
| 8      | 1   | ZM000042    | Cover            |               |               |                         |          |
| 9      | 1   | ZM000043    | Bearing          |               |               |                         |          |
| 10     | 1   | ZM000044    | Knob             |               |               |                         |          |
| 11     | 1   | ZM000045    | Rod              |               |               |                         |          |
| 12     | 1   | ZM000046    | Main board       |               |               |                         |          |
| 13     | 2   | ZM000047    | Sliding block    |               |               |                         |          |
| 14     | 1   | ZM000048    | Plate            |               |               |                         |          |
| 15     | 1   | ZM000049R   | Fan              |               |               |                         |          |
| 16     | 1   | ZM000050    | Oil seal         |               |               |                         |          |
| 17     | 1   | ZM000051    | Bearing          |               |               |                         |          |
| 18     | 1   | ZM000052    | Bearing          |               |               |                         |          |
| 19     | 1   | ZM000053    | Shaft            |               |               |                         |          |
| 20     | 1   | ZM000054    | Bearing          |               |               |                         |          |
| 21     | 2   | ZM000055    | Bushing          |               |               |                         |          |
| 22     | 2   | ZM000056R   | Tiller dx        |               |               |                         |          |
| 23     | 1   | ZM000057    | Shaft            |               |               |                         |          |
| 24     | 2   | ZM000058    | Bushing          |               |               |                         |          |
| 25     | 2   | ZM000059R   | Tiller sx        |               |               |                         |          |
| 26     | 2   | ZM000060    | Bushing          |               |               |                         |          |
| 27     | 2   | ZM000061    | Cover            |               |               |                         |          |
| 28     | 3   | ZM000062    | Plate            |               |               |                         |          |
| 29     | 3   | ZM000063    | Plate            |               |               |                         |          |
| 30     | 1   | ZM000064    | Snow chute       |               |               | Orientabile; Adjustable |          |
| 31     | 1   | ZM000065    | Spring           |               |               |                         |          |
| 32     | 1   | ZM000066    | Bracket          |               |               |                         |          |
| 33     | 4   | ZM000166    | Self-locking nut |               |               |                         |          |
| 34     | 4   | ZM000090    | Pin              |               |               |                         |          |
| 35     | 1   | ZM000218    | Knob             |               |               |                         |          |
| 36     | 1   | ZM000168    | Shovel           |               |               |                         |          |
| 37     | 1   | ZM000219    | Cover dx         |               |               |                         |          |
| 38     | 1   | ZM000220    | Cover sx         |               |               |                         |          |
| 39     | 1   | ZM000117R   | Gear             |               |               |                         |          |
| 40     | 2   | ZM000115    | Bushing          |               |               |                         |          |
| 41     | 2   | ZM000116    | Gasket           |               |               |                         |          |
| 42     | 1   | ZM000248    | Washer           |               |               |                         |          |
| 43     | 2   | ZM000366    | Washer           |               |               |                         |          |
| 44     | 8   | ZM000114    | Guard cap        |               |               |                         |          |

## изображение Snow thrower assy

---

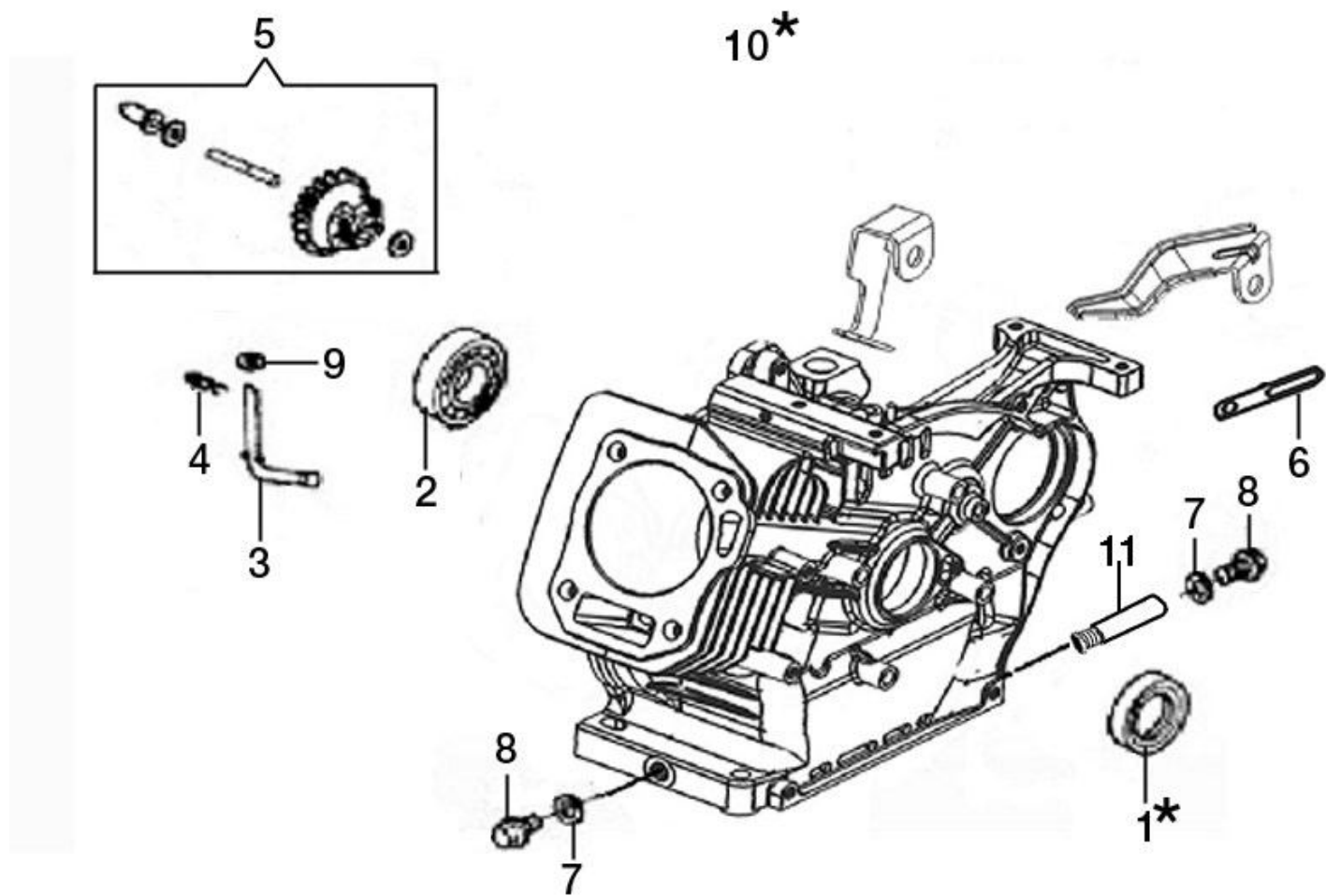
| Ref.Nu | Qty | Part number | Description    | Validity from | Validity till | Notes | Bulletin |
|--------|-----|-------------|----------------|---------------|---------------|-------|----------|
| 45     | 1   | ZM000221    | Plate (guide)  |               |               |       |          |
| 46     | 2   | ZM000229    | Washer         |               |               |       |          |
| 47     | 1   | ZM000069    | Case           |               |               |       |          |
| 48     | 1   | ZM000169    | Shovel support |               |               |       |          |
| 49     | 1   | ZM000379    | Bushing        |               |               |       |          |
| 50     | 1   | ZM000377    | Bushing        |               |               |       |          |
| 51     | 1   | ZM000387    | Labels kit     |               |               |       |          |



## изображение Cylinder head

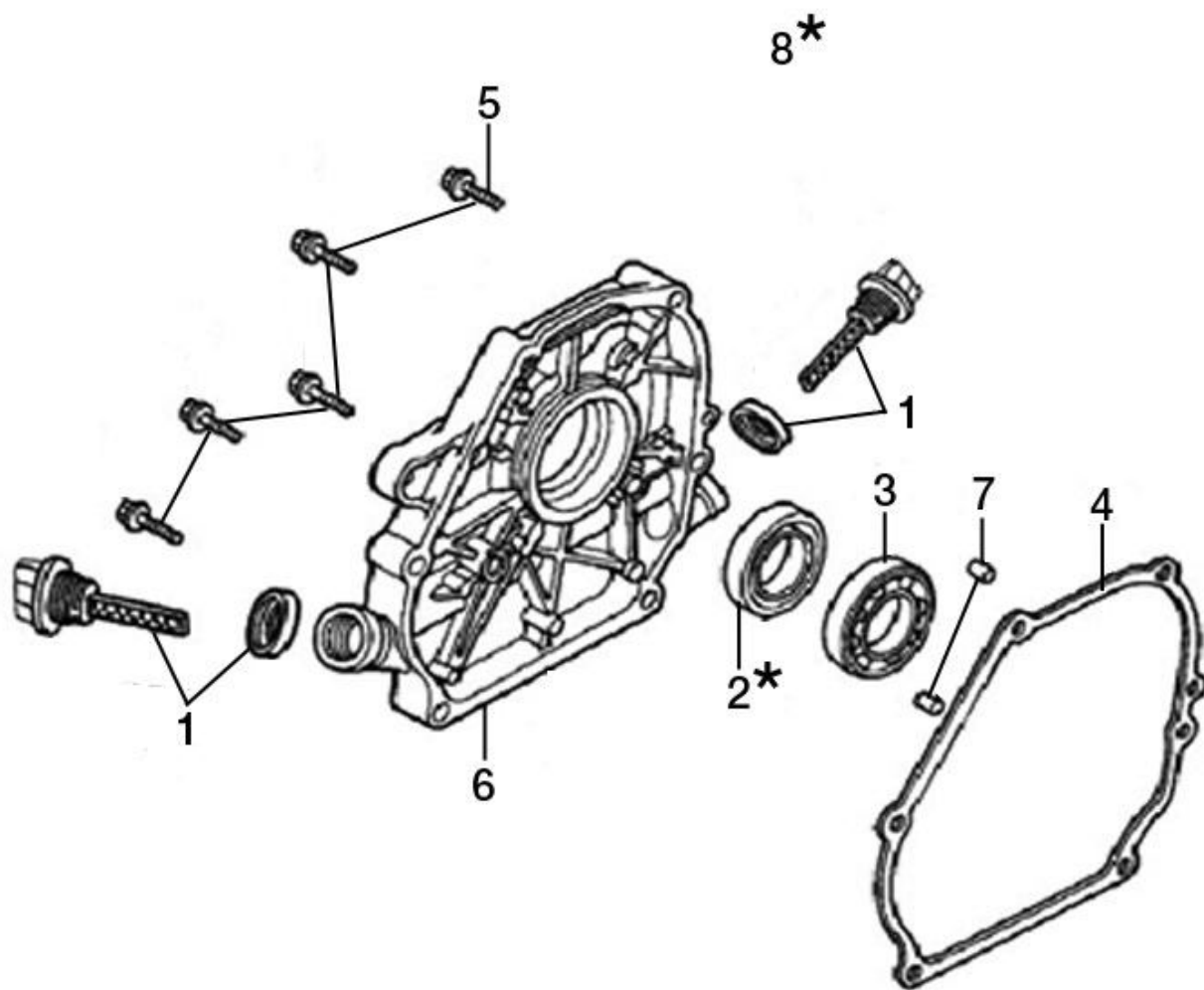
---

| Ref.Nu | Qty | Part number | Description        | Validity from | Validity till | Notes | Bulletin |
|--------|-----|-------------|--------------------|---------------|---------------|-------|----------|
| 1      | 2   | L66150350   | Plug               |               |               |       |          |
| 2      | 4   | L66150323   | Screw              |               |               |       |          |
| 3      | 1   | L66150476   | Gasket             |               |               |       |          |
| 4      | 1   | L66150477   | Tube               |               |               |       |          |
| 5      | 1   | 3055123R    | Spark plug         |               |               |       |          |
| 6      | 1   | L66150276   | Gasket             |               |               |       |          |
| 7      | 1   | L66150309   | Gasket             |               |               |       |          |
| 8      | 1   | L66150599   | Gasket set         |               |               |       |          |
| 9      | 1   | L66150598   | Head comp.cylinder |               |               |       |          |



## изображение Cylinder and crankcase

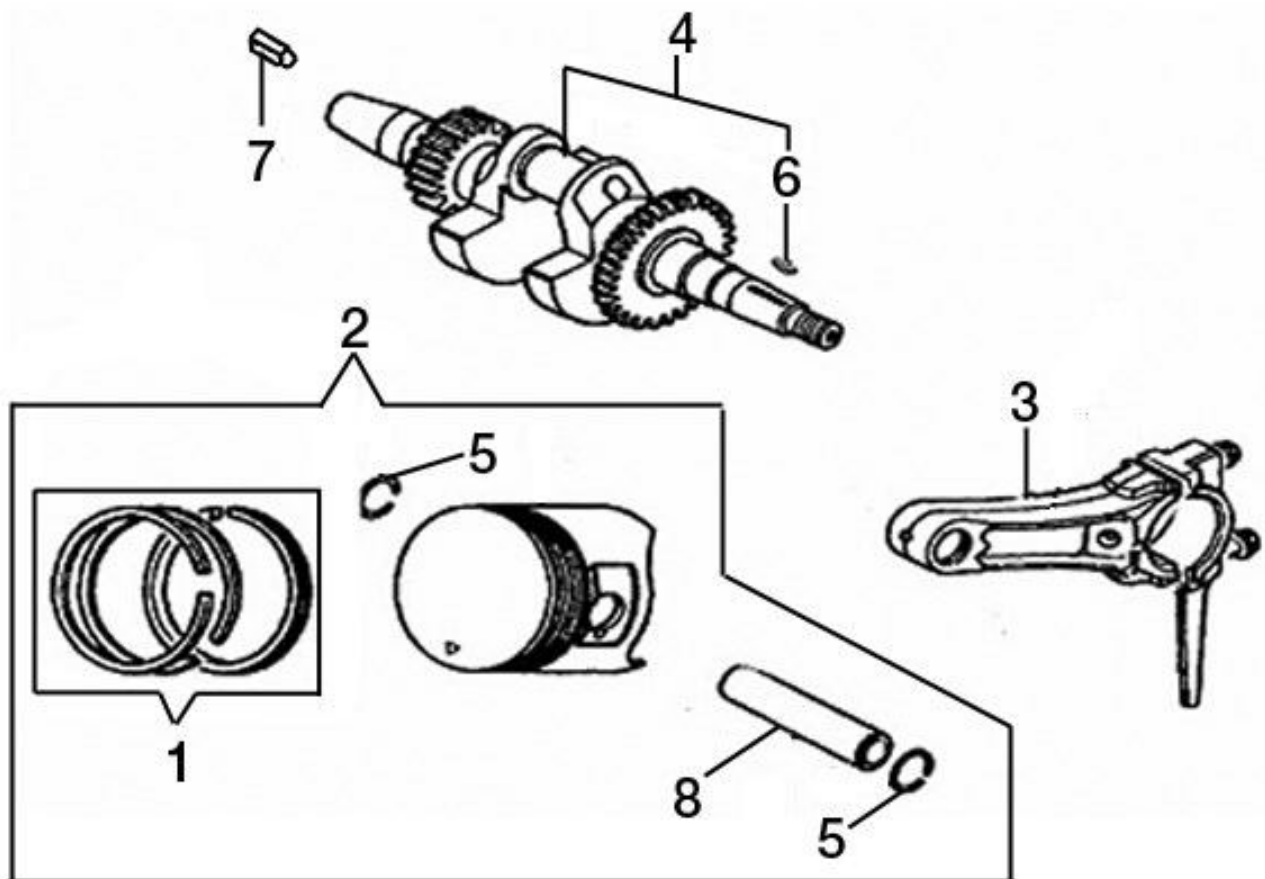
| Ref.Nu | Qty | Part number | Description    | Validity from | Validity till | Notes        | Bulletin |
|--------|-----|-------------|----------------|---------------|---------------|--------------|----------|
| 1      | 1   | L66150478   | Seal ring      |               |               |              |          |
| 2      | 1   | L66150355   | Bearing        |               |               |              |          |
| 3      | 1   | L66150302   | Shaft          |               |               |              |          |
| 4      | 1   | L66150353   | Plug           |               |               |              |          |
| 5      | 1   | L66150479   | Governor       |               |               |              |          |
| 6      | 1   | L66150480   | Cable          |               |               |              |          |
| 7      | 2   | L66150354   | Washer         |               |               |              |          |
| 8      | 2   | L66150352   | Screw          |               |               |              |          |
| 9      | 1   | L66150325   | Washer         |               |               |              |          |
| 10     | 1   | L66150599   | Gasket set     |               |               |              |          |
| 11     | 1   | L66150698   | Extension hose |               |               | Corto; Short |          |



## изображение Crankcase cover

| Ref.Nu | Qty | Part number | Description     | Validity from | Validity till | Notes | Bulletin |
|--------|-----|-------------|-----------------|---------------|---------------|-------|----------|
| 1      | 2   | L66151232   | Cap             |               |               |       |          |
| 2      | 1   | L66150481   | Seal ring       |               |               |       |          |
| 3      | 1   | L66150355   | Bearing         |               |               |       |          |
| 4      | 1   | L66150274   | Gasket          |               |               |       |          |
| 5      | 6   | L66150319   | Screw           |               |               |       |          |
| 6      | 1   | L66150273   | Crankcase cover |               |               |       |          |
| 7      | 2   | L66150357   | Plug            |               |               |       |          |
| 8      | 1   | L66150599   | Gasket set      |               |               |       |          |

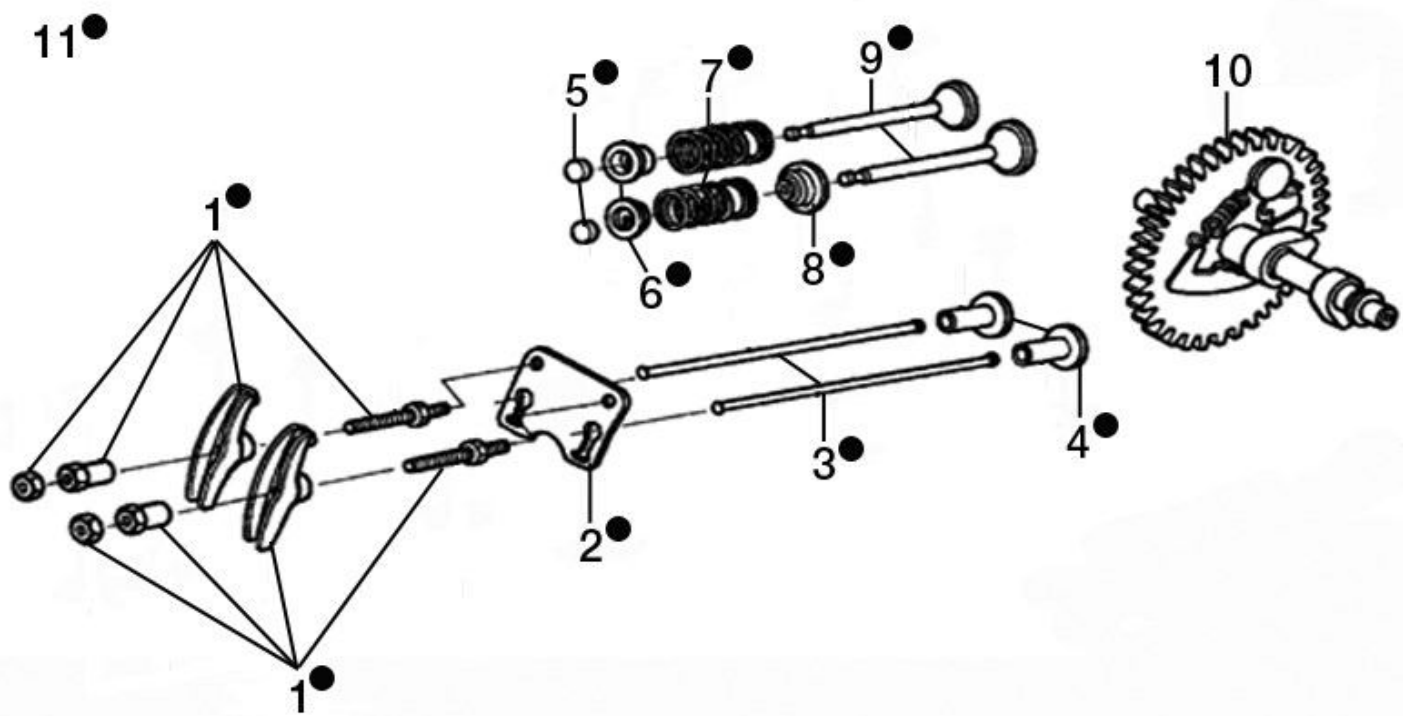




## изображение Crankshaft and piston

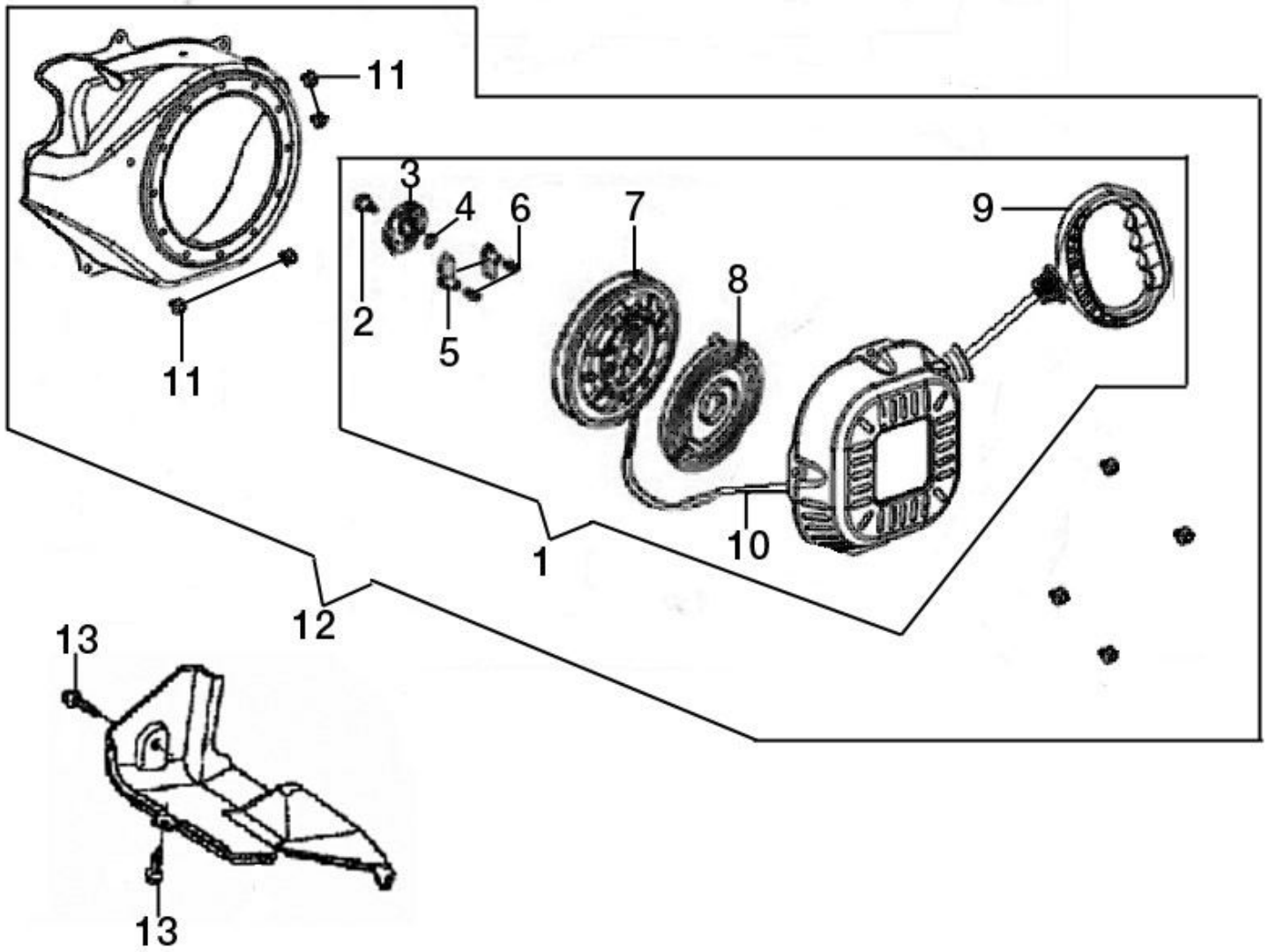
---

| Ref.Nu | Qty | Part number | Description         | Validity from | Validity till | Notes | Bulletin |
|--------|-----|-------------|---------------------|---------------|---------------|-------|----------|
| 1      | 1   | L66150280   | Piston ring set     |               |               |       |          |
| 2      | 1   | L66150600   | Piston assy         |               |               |       |          |
| 3      | 1   | L66150281   | Connecting rod cpl. |               |               |       |          |
| 4      | 1   | L66150482   | Shaft               |               |               |       |          |
| 5      | 2   | L66150372   | Retainer washer     |               |               |       |          |
| 6      | 1   | L66150081   | Key                 |               |               |       |          |
| 7      | 1   | L66150483   | Key                 |               |               |       |          |
| 8      | 1   | L66150342   | Piston pin          |               |               |       |          |



## изображение Valves

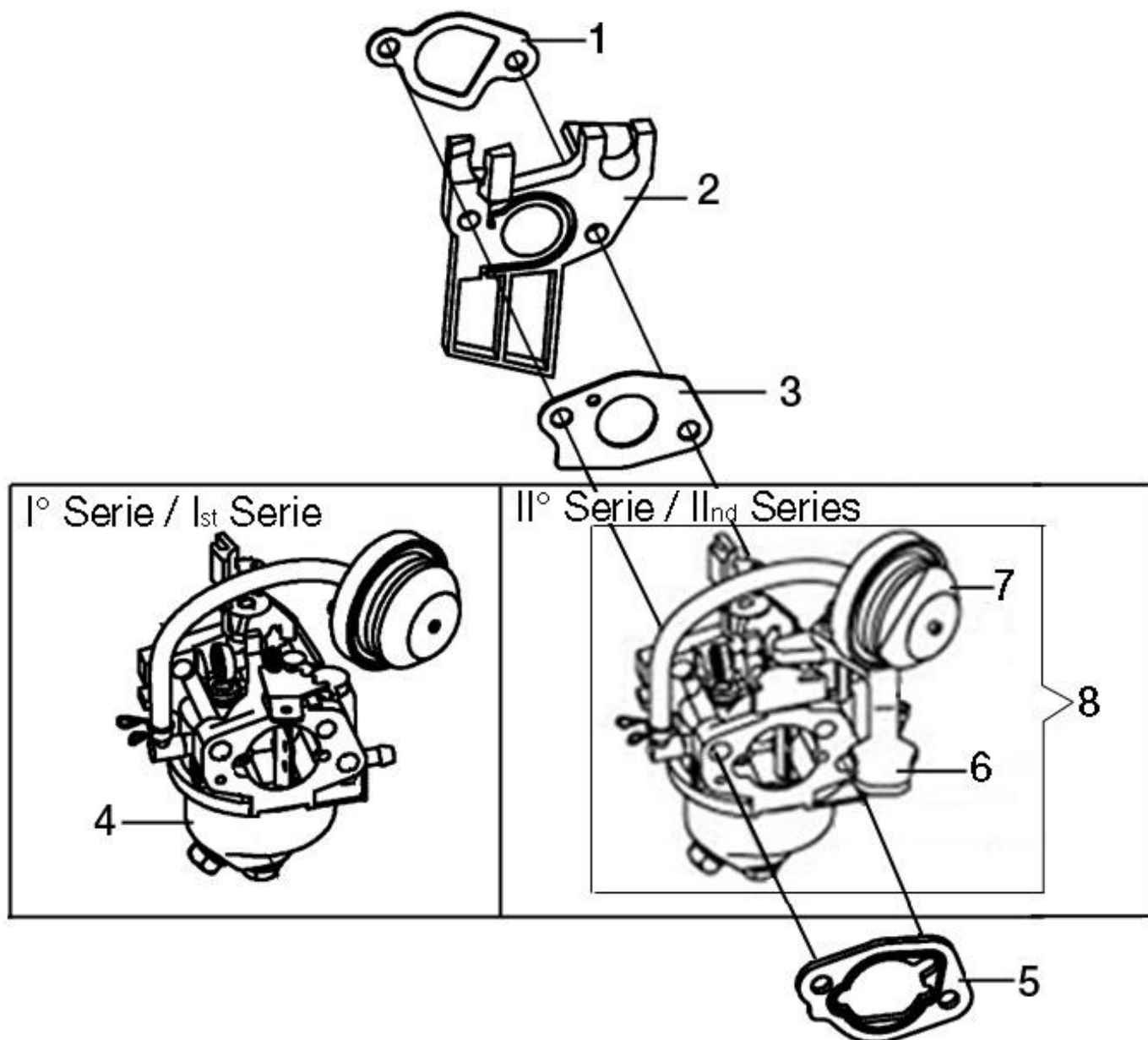
| Ref.Nu | Qty | Part number | Description        | Validity from | Validity till | Notes | Bulletin |
|--------|-----|-------------|--------------------|---------------|---------------|-------|----------|
| 1      | 2   | L66150368   | Compensator        |               |               |       |          |
| 2      | 1   | L66150287   | Plate (guide)      |               |               |       |          |
| 3      | 2   | L66150285   | Rod                |               |               |       |          |
| 4      | 2   | L66150286   | Slide              |               |               |       |          |
| 5      | 2   | L66150364   | Valve              |               |               |       |          |
| 6      | 2   | L66150365   | Ring               |               |               |       |          |
| 7      | 2   | L66150366   | Valves spring      |               |               |       |          |
| 8      | 1   | L66150484   | Slide              |               |               |       |          |
| 9      | 1   | L66151233   | Reed valve kit     |               |               |       |          |
| 10     | 1   | L66150363   | Complete shaft     |               |               |       |          |
| 11     | 1   | L66150598   | Head comp.cylinder |               |               |       |          |



## изображение Ignition system

---

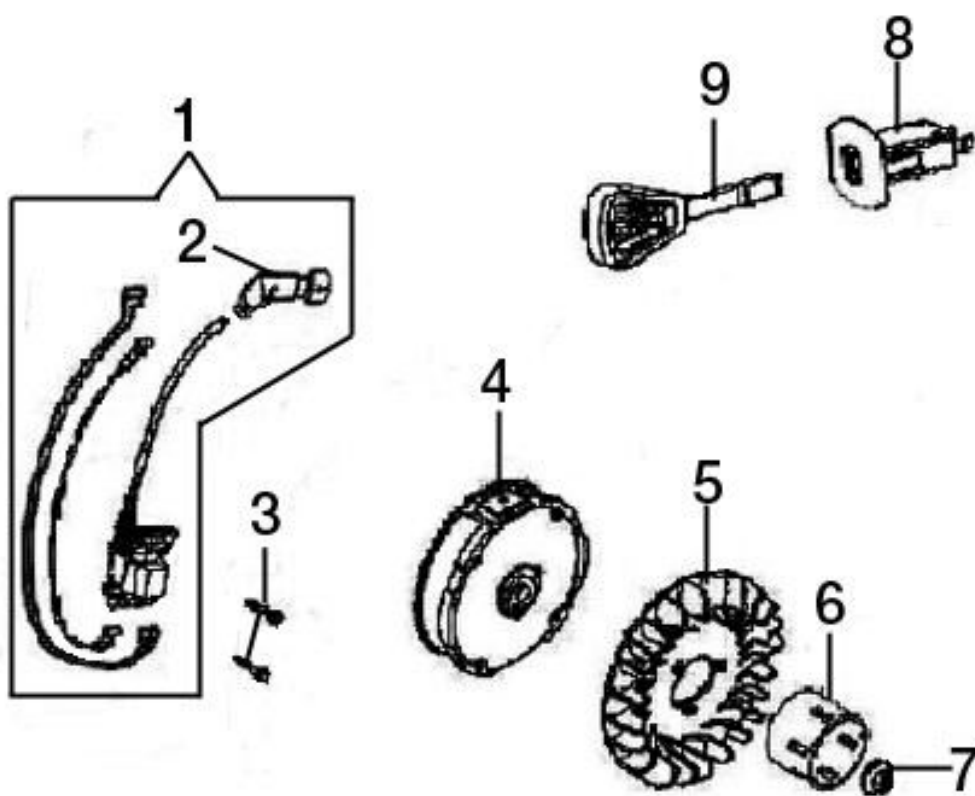
| Ref.Nu | Qty | Part number | Description    | Validity from | Validity till | Notes | Bulletin |
|--------|-----|-------------|----------------|---------------|---------------|-------|----------|
| 1      | 1   | L66150485   | Starter assy   |               |               |       |          |
| 2      | 1   | L66150330   | Fixing screw   |               |               |       |          |
| 3      | 1   | L66150331   | Clutch driver  |               |               |       |          |
| 4      | 1   | L66150332   | Spring         |               |               |       |          |
| 5      | 2   | L66150263   | Pawl           |               |               |       |          |
| 6      | 2   | L66150264   | Spring         |               |               |       |          |
| 7      | 1   | L66150265   | Pulley         |               |               |       |          |
| 8      | 1   | L66150336   | Starter spring |               |               |       |          |
| 9      | 1   | L66150486   | Handle         |               |               |       |          |
| 10     | 1   | L66150487   | Starter rope   |               |               |       |          |
| 11     | 4   | L66150322   | Screw          |               |               |       |          |
| 12     | 1   | L66150488   | Starter assy   |               |               |       |          |
| 13     | 2   | L66150339   | Screw          |               |               |       |          |



## изображение Carburetor

| Ref.Nu | Qty | Part number | Description | Validity from | Validity till | Notes | Bulletin      |
|--------|-----|-------------|-------------|---------------|---------------|-------|---------------|
| 1      | 1   | L66150291   | Gasket      |               |               |       |               |
| 2      | 1   | L66150293   | Insulator   |               |               |       |               |
| 3      | 1   | L66150290   | Gasket      |               |               |       |               |
| 4      | 1   | L66150703   | Carburetor  |               |               |       | BT6-107-12/13 |
| 5      | 1   | L66150292   | Gasket      |               |               |       |               |
| 6      | 1   | L66150697   | Air lever   | 06/13         |               |       | BT6-107-12/13 |
| 7      | 1   | L66150702   | Primer pump |               |               |       |               |
| 8      | 1   | L66150701   | Carburetor  | 06/13         |               |       | BT6-107-12/13 |

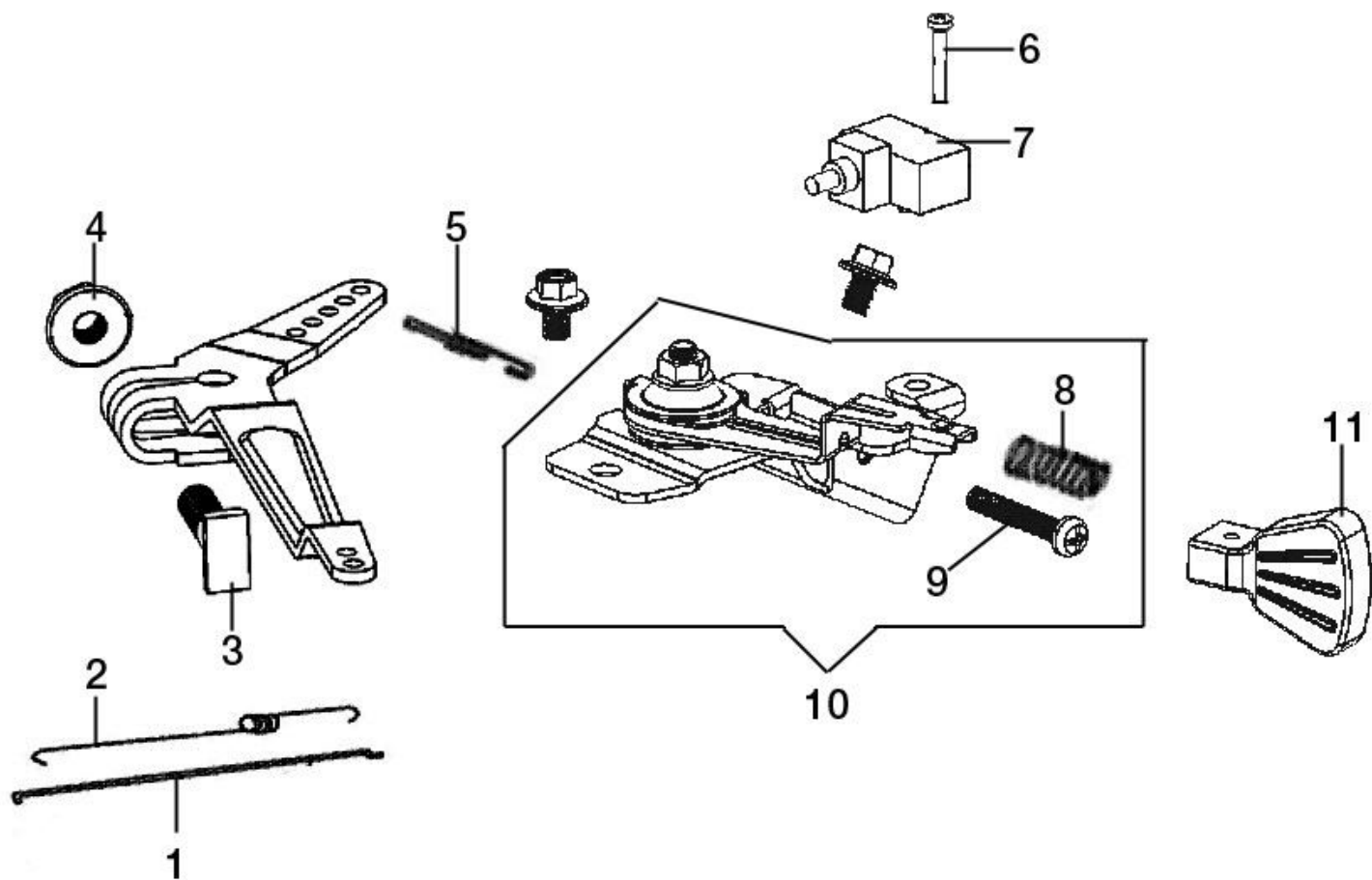




## изображение Flywheel and coil

---

| Ref.Nu | Qty | Part number | Description    | Validity from | Validity till | Notes | Bulletin |
|--------|-----|-------------|----------------|---------------|---------------|-------|----------|
| 1      | 1   | L66150490   | Ignition coil  |               |               |       |          |
| 2      | 1   | L66150491   | Spark plug cap |               |               |       |          |
| 3      | 2   | L66150321   | Screw          |               |               |       |          |
| 4      | 1   | L66150313   | Flywheel       |               |               |       |          |
| 5      | 1   | L66150288   | Fan            |               |               |       |          |
| 6      | 1   | L66150312   | Pulley         |               |               |       |          |
| 7      | 1   | L66150376   | Nut            |               |               |       |          |
| 8      | 1   | L66150492   | Case           |               |               |       |          |
| 9      | 1   | L66150493   | Switch         |               |               |       |          |

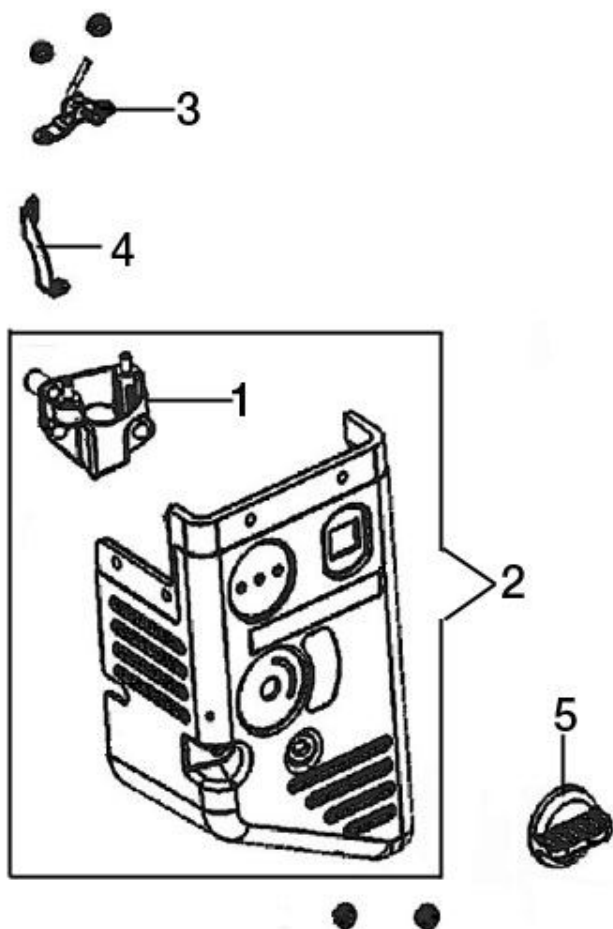


## изображение Control lever

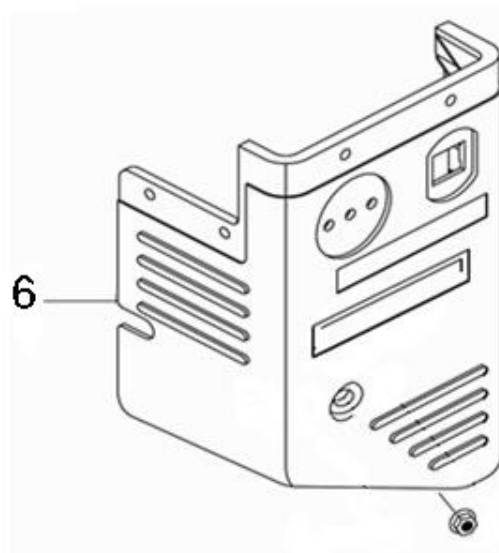
---

| Ref.Nu | Qty | Part number | Description       | Validity from | Validity till | Notes | Bulletin |
|--------|-----|-------------|-------------------|---------------|---------------|-------|----------|
| 1      | 1   | L66150495   | Throttle rod      |               |               |       |          |
| 2      | 1   | L66150300   | Spring            |               |               |       |          |
| 3      | 1   | L66150382   | Screw             |               |               |       |          |
| 4      | 1   | L66150185   | Nut               |               |               |       |          |
| 5      | 1   | L66150496   | Spring            |               |               |       |          |
| 6      | 1   | L66150240   | Screw             |               |               |       |          |
| 7      | 1   | L66150497   | Switch (stop)     |               |               |       |          |
| 8      | 1   | L66150380   | Spring            |               |               |       |          |
| 9      | 1   | L66150381   | Screw             |               |               |       |          |
| 10     | 1   | L66150498   | Complete lever    |               |               |       |          |
| 11     | 1   | L66150499   | Rubber protection |               |               |       |          |

### I° Serie / Ist Serie

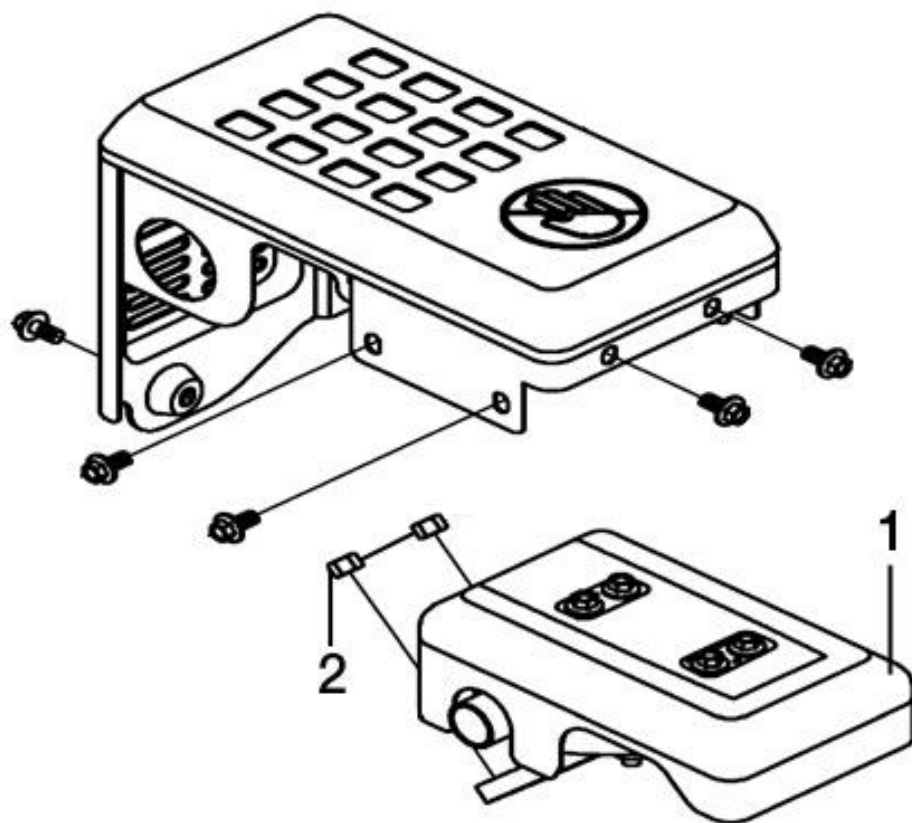


### II° Serie / IInd Series



## изображение Air filter

| Ref.Nu | Qty | Part number | Description    | Validity from | Validity till | Notes | Bulletin      |
|--------|-----|-------------|----------------|---------------|---------------|-------|---------------|
| 1      | 1   | L66150500   | Elbow          |               | 05/13         |       | BT6-107-12/13 |
| 2      | 1   | L66150501   | Air filter kit |               | 05/13         |       | BT6-107-12/13 |
| 3      | 1   | L66150502   | Starter lever  |               | 05/13         |       | BT6-107-12/13 |
| 4      | 1   | L66150505   | Clip           |               | 05/13         |       | BT6-107-12/13 |
| 5      | 1   | L66150504   | Knob           |               | 05/13         |       | BT6-107-12/13 |
| 6      | 1   | L66150705   | Air filter     | 06/13         |               |       | BT6-107-12/13 |

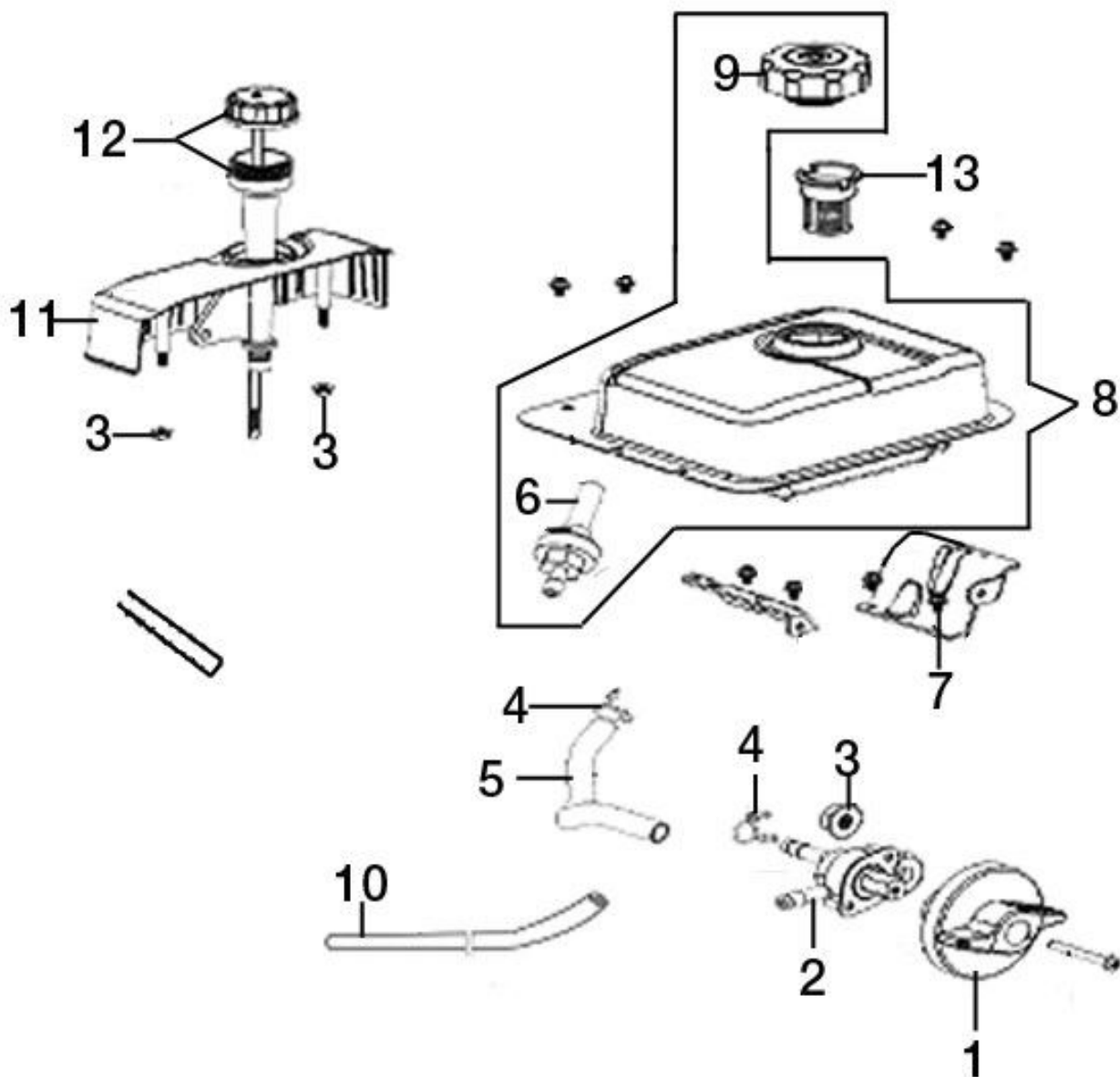


## изображение Muffler

---

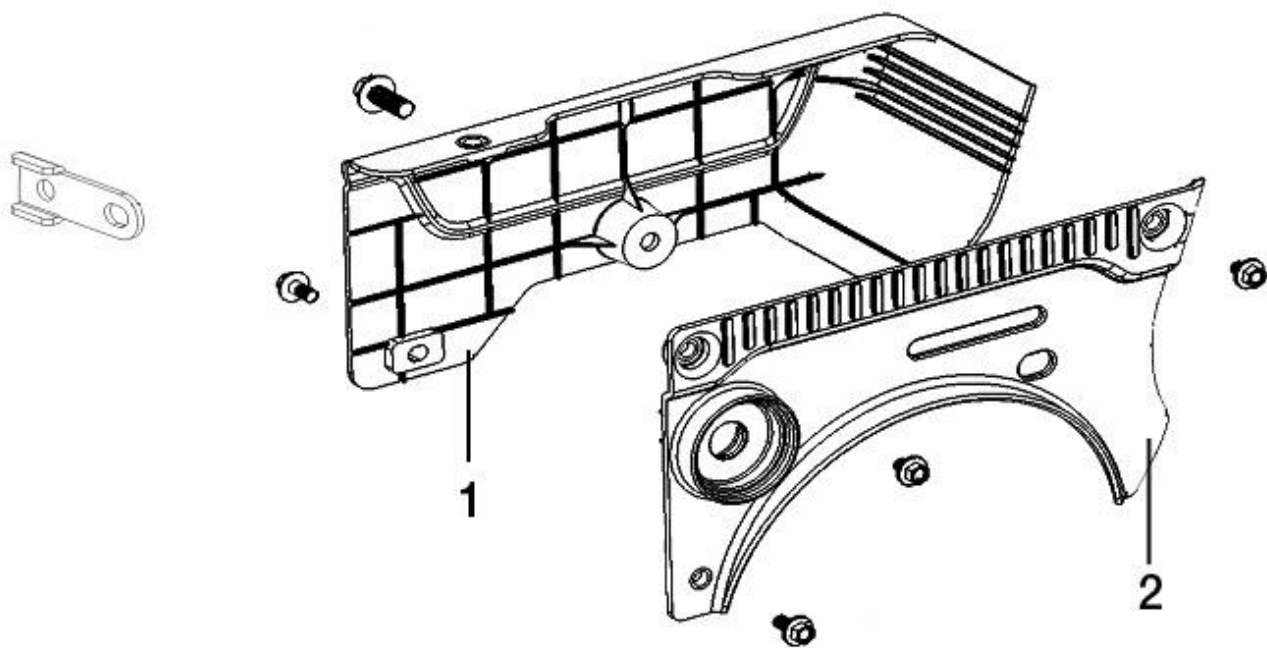
| Ref.Nu | Qty | Part number | Description      | Validity from | Validity till | Notes | Bulletin |
|--------|-----|-------------|------------------|---------------|---------------|-------|----------|
| 1      | 1   | L66150506   | Complete muffler |               |               |       |          |
| 2      | 2   | 320000028R  | Nut              |               |               |       |          |





## изображение Tank

| Ref.Nu | Qty | Part number | Description   | Validity from | Validity till | Notes | Bulletin |
|--------|-----|-------------|---------------|---------------|---------------|-------|----------|
| 1      | 1   | L66150507   | Knob          |               |               |       |          |
| 2      | 1   | L66150508   | Switch        |               |               |       |          |
| 3      | 3   | L66150185   | Nut           |               |               |       |          |
| 4      | 2   | L66150509   | Clip          |               |               |       |          |
| 5      | 1   | L66150510   | Tube          |               |               |       |          |
| 6      | 1   | L66150295   | Fitting       |               |               |       |          |
| 7      | 4   | L66150322   | Screw         |               |               |       |          |
| 8      | 1   | L66150601   | Complete tank |               |               |       |          |
| 9      | 1   | L66150511   | Cap           |               |               |       |          |
| 10     | 1   | L66150515   | Tube          |               |               |       |          |
| 11     | 1   | L66150512   | Cover         |               |               |       |          |
| 12     | 1   | L66150513   | Complete cap  |               |               |       |          |
| 13     | 1   | L66150514   | Filter        |               |               |       |          |



## изображение Cover

---

| Ref.Nu | Qty | Part number | Description | Validity from | Validity till | Notes | Bulletin |
|--------|-----|-------------|-------------|---------------|---------------|-------|----------|
| 1      | 1   | L66150516   | Guard       |               |               |       |          |
| 2      | 1   | L66150517   | Guard       |               |               |       |          |