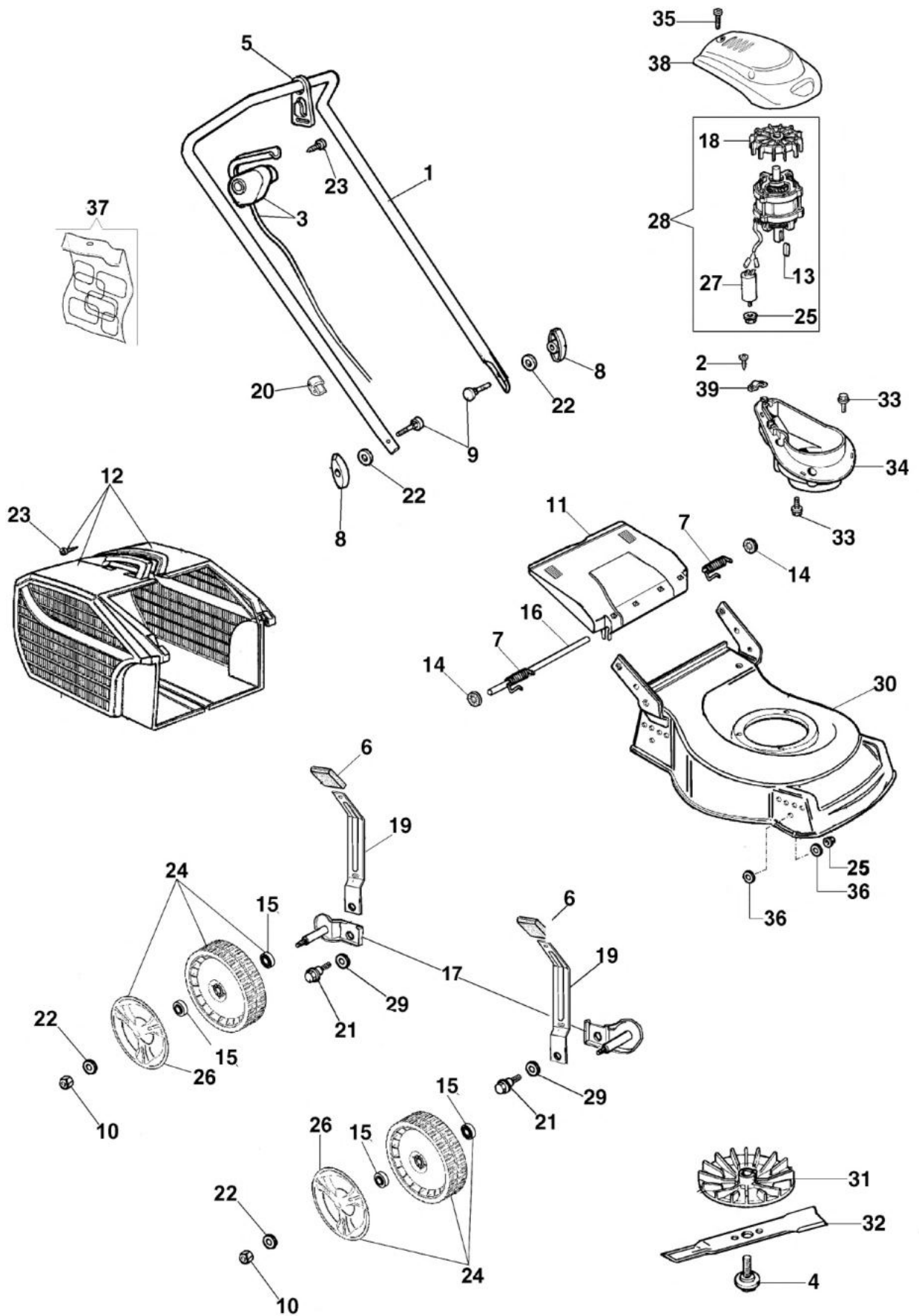


G 44 PE COMFORT PLUS Electric lawnmower



Документы

[Illustrated parts list](#)



изображение Illustrated parts list

Ref.Nu	Qty	Part number	Description	Validity from	Validity till	Notes	Bulletin
1	1	66130085R	Handlebar				
2	2	3960017AR	Screw				
3	1	66050187R	Switch				
4	1	66020010BR	Screw				
5	1	3044027R	Clamp				
6	4	66070021R	Handle				
7	1	66110610	Kit spring				
8	2	4119013AR	Tightening handle				
9	2	3910015R	Screw				
10	4	3914010R	Nut				
11	1	66110014R	Shutter				
12	1	66112001R	Complete grassbag				
13	1	66020024R	Key				
14	2	3045034R	Retainer washer				
15	8	66070497R	Bearing				
16	1	66110026R	Deflector axle				
17	2	66070301A	Support set				
18	1	66120022R	Fan				
19	4	66070031R	Lever				
20	1	66060231	Band				
21	4	66070030A	Pin				
22	6	3916008R	Washer				
23	5	3960013R	Screw				
24	4	66070732	Wheel kit				
25	7	3933032R	Nut				
26	4	66070728R	Wheel cover				
27	1	66120051R	Condenser				
28	1	66130080R	Electric motor				
29	4	3027001R	Washer				
30	1	66100232AR	Deck				
31	1	66020025AR	Fan				
32	1	66120026R	Blade				
33	7	3933034R	Screw				
34	1	66020005AR	Engine support				
35	3	3960016R	Screw				
36	8	66030012R	Washer				
37	1	66070628A	Labels kit				
38	1	66120011	Guard				
39	1	012000033R	Plate				