

ORION 1200 Robot



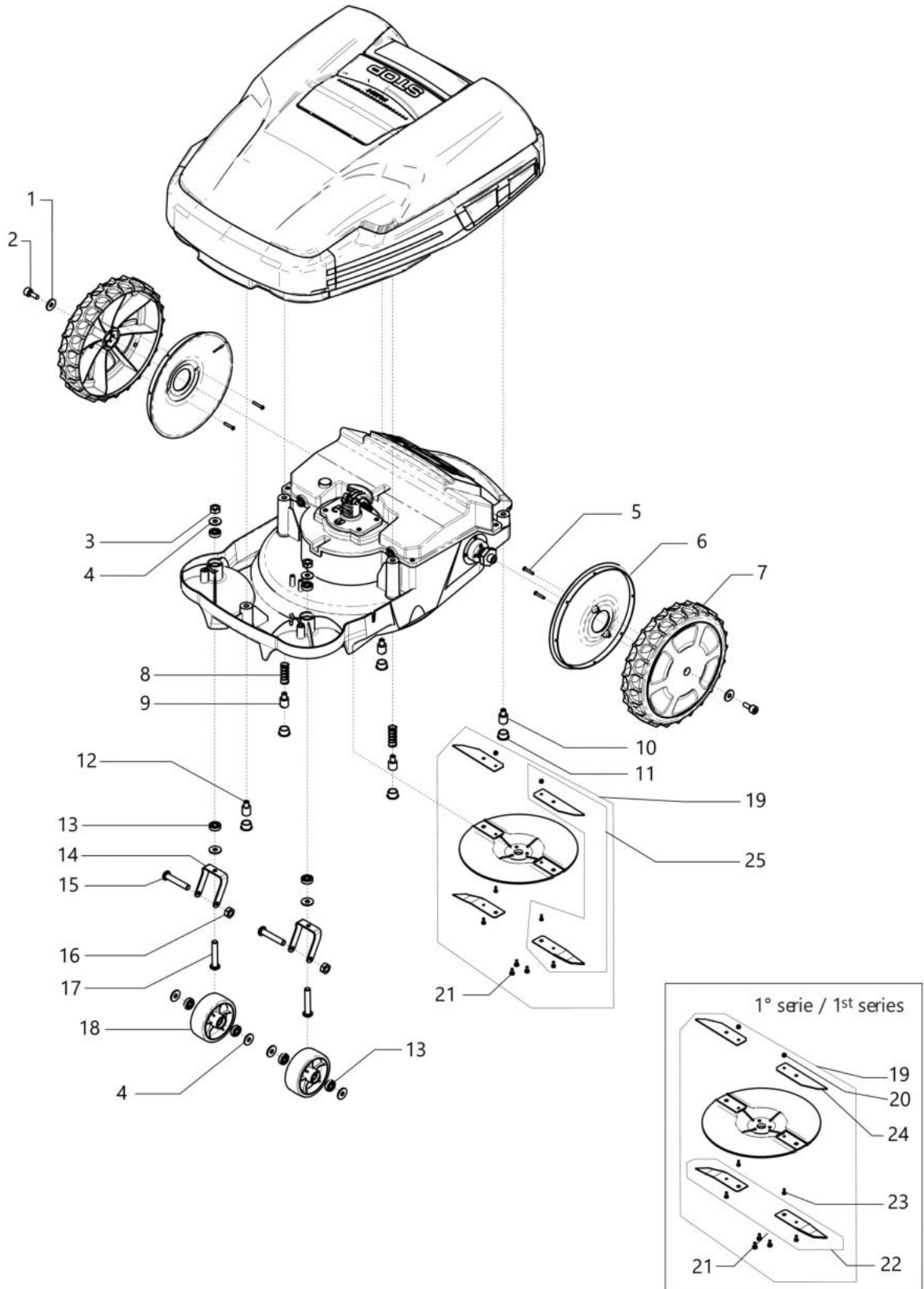
Документы

[Cutting plate assembly](#)

[Motor assy](#)

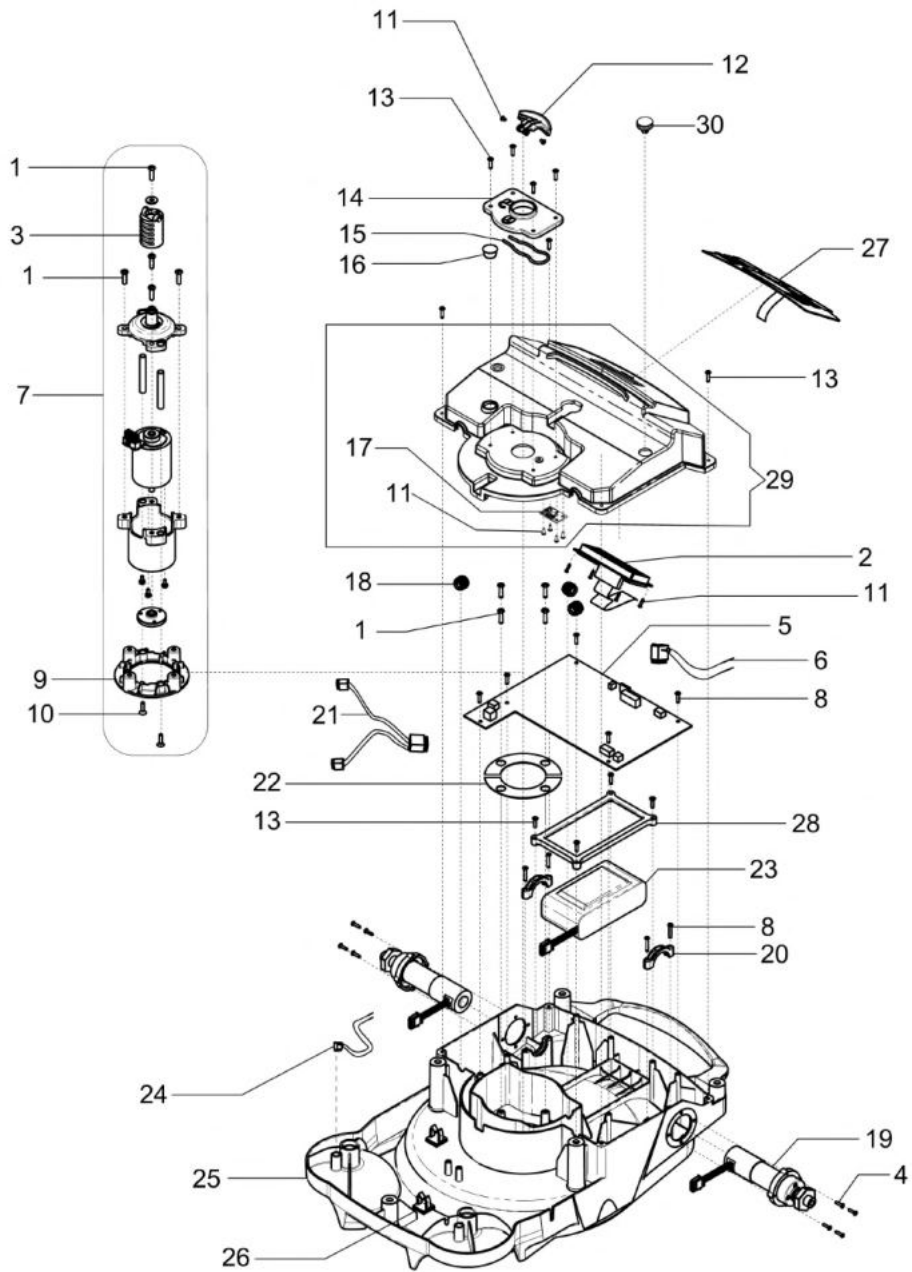
[Deck assembly](#)

[Charging station](#)



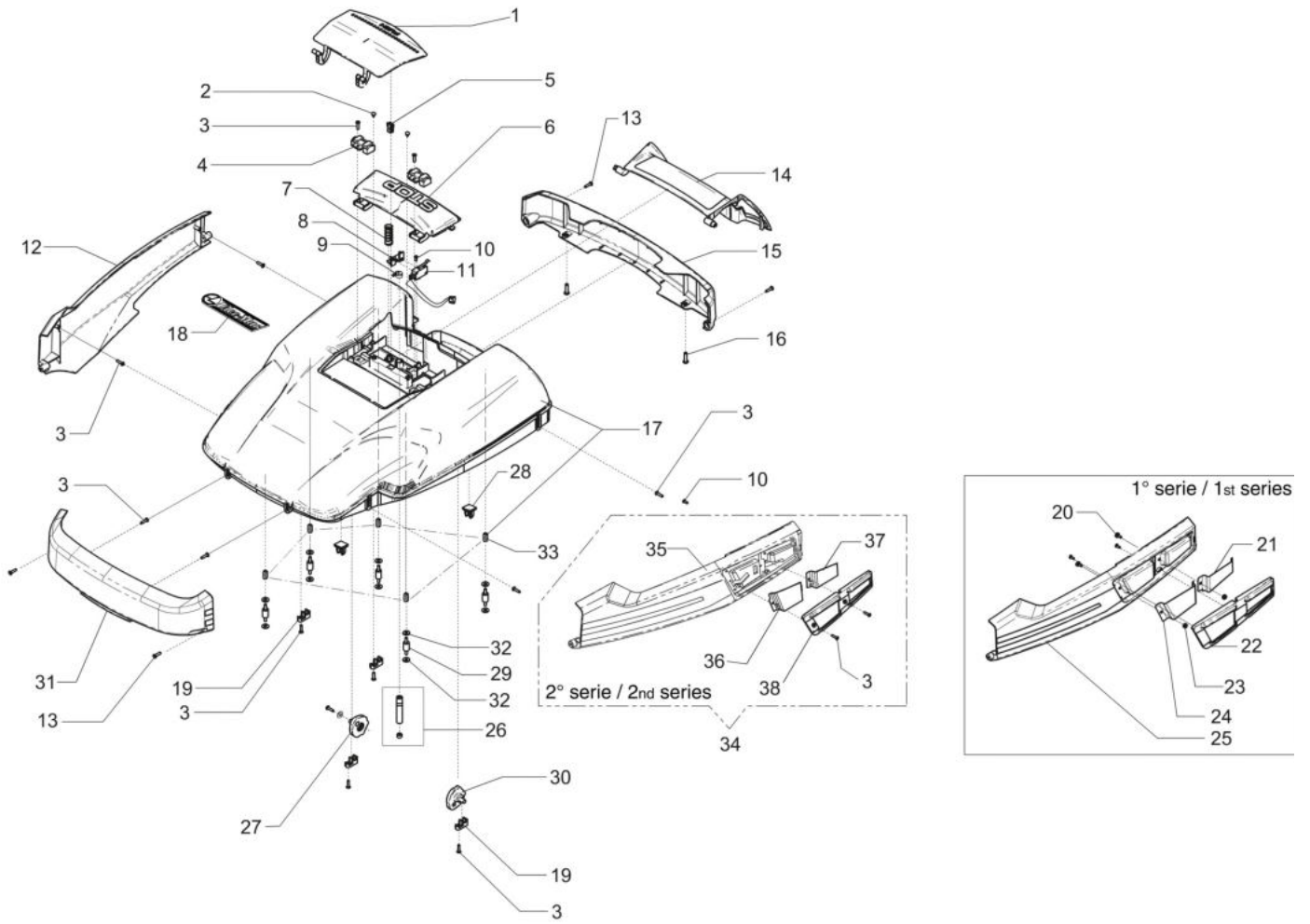
изображение Cutting plate assembly

Ref.Nu	Qty	Part number	Description	Validity from	Validity till	Notes	Bulletin
1	2	AK701493	Washer				
2	2	AK705937	Screw				
3	2	AK704536	Nut				
4	8	AK700137	Washer				
5	4	AK510281	Screw				
6	2	AK470895	Cover				
7	2	AK47071834	Driving wheel				
8	2	AK474686	Spring				
9	2	AK474565	Sleeve			Posteriore; Rear	
10	2	AK474676	Sleeve			Intermedio; Middle	
11	5	AK474116	Cap				
12	1	AK474097	Sleeve			Anteriore; Front	
13	8	AK474996	Bearing				
14	2	AK47453130	Fork				
15	2	AK700934	Pin				
16	2	AK700432	Nut				
17	2	AK700493	Screw				
18	2	AK47073401	Front wheel				
19	1	AK127402	Double blade kit+Cutter support				BT5-076-10/14
20	2	AK705960	Nut				
21	3	AK705958	Screw				
22	1	AK119573	Blades kit			Composto da: 6 lame + 6	BT5-076-10/14
23	2	AK705957	Screw				
24	2	AK440434	Blade				BT5-076-10/14
25	1	AK440434ET	Blades kit				



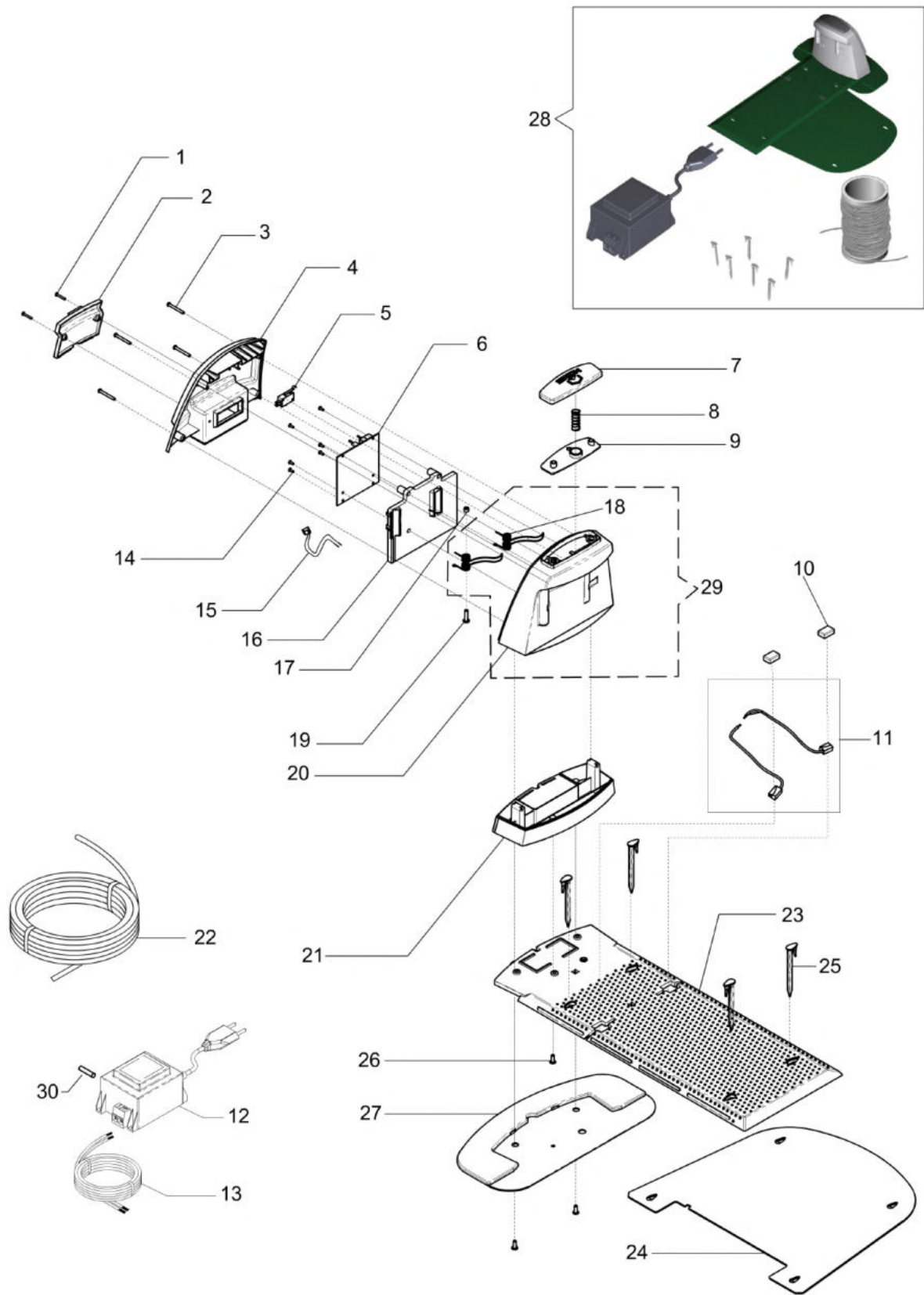
изображение Motor assy

Ref.Nu	Qty	Part number	Description	Validity from	Validity till	Notes	Bulletin
1	9	AK518482	Screw				
2	1	AK493287	Display				
3	1	AK47099001	Ring nut			Regolazione altezza taglio; Height regulation spring	
4	8	AK510759	Screw				
5	1	AK454889	Electric board			Scheda madre; Motherboard	
6	1	AK474412	Sensor			Sensore pioggia (colleg.	
6	1	AK440440	Sensor			Sensore pioggia (colleg. al cablaggio) Rain sensor (direct link to the electric link to the wiring)	
7	1	AK47422910	Motor assy				
8	9	AK510281	Screw				
9	1	AK47088501	Flange				
10	2	AK705266	Screw				
11	10	AK454186	Screw				
12	1	AK470987	Handle				
13	13	AK505075	Screw				
14	1	AK470871	Cover				
15	1	AK470892	Spring				
16	1	AK474116	Cap				
17	1	AK441556	Electric board			Scheda sensore d'urto;	BT5-082-05/16
18	6	AK474187	Fairled				
19	2	AK44104710	Electric motor			Motoriduttore Trazione;	
20	2	AK470896	Support				
21	1	AK441550	Wiring				
22	2	AK474287	Spacer				
23	1	67010030	Battery			25,2V - 2,9Ah	
24	1	AK441548	Sensor			Sensore perimetrale; Perimetral sensor	
25	1	AK456525	Lower deck				
26	2	AK474480	Fairled				
27	1	AK474984	Panel			Logo Oleo-Mac; Oleo-Mac	
28	1	AK47089301	Clamp				
29	1	AK456835	Cover				BT5-082-05/16
30	1	AK474222	Breather valve				



изображение Deck assembly

Ref.Nu	Qty	Part number	Description	Validity from	Validity till	Notes	Bulletin
1	1	AK47489334	Shutter				
2	2	AK474752	Buffer				
3	14	AK505075	Screw				
4	2	AK47410034	Support				
5	1	AK470752	Hook				
6	1	AK47489402	Button				
7	1	AK474118	Spring				
8	1	AK474083	Clamp				
9	1	AK474903	Band				
10	4	AK453959	Screw				
11	1	AK441293	Micro-switch				
12	1	AK47403301	Bumper			DX; RIGHT	
13	4	AK510281	Screw				
14	1	AK474895	Shutter				
15	1	AK47403201	Bumper			Posteriore; Rear	
16	2	AK518482	Screw				
17	1	AK455157	Deck			Logo Oleo-Mac; Oleo-Mac	
18	1	AK454855	Plate			Logo Logo Oleo-Mac; Oleo-Mac	
19	4	AK47408434	Support				
20	2	AK705959	Screw		SN 6525043167		BT5-078-04/15
21	1	AK456314	Set deck + contactcs		SN 6525043167		BT5-072-10/13, BT5-078-04/15
22	1	AK47088801	Plate		SN 6525043167		BT5-078-04/15
23	2	AK701441	Nut		SN 6525043167		BT5-078-04/15
24	1	AK456314	Set deck + contactcs		SN 6525043167		BT5-072-10/13,
25	1	AK456314	Set deck + contactcs		SN 6525043167	SX; LEFT	BT5-078-04/15
26	1	AK454764	Support + magnet				
27	1	AK47490501	Mount			DX; RIGHT	
28	2	AK474480	Fairled				
29	5	AK474098	Spacer			Gomma; Rubber	
30	1	AK47489601	Mount			SX; LEFT	
31	1	AK47403101	Bumper			Anteriore; Front	
32	10	AK700426	Washer				
33	5	AK474115	Insert				
34	1	AK456314	Set deck + contactcs	SN 6525043168			BT5-078-04/15
35	1	AK44117401	Bumper	SN 6525043168		SX; LEFT	BT5-078-04/15
36	1	AK440618	Contact (Battery charger)	SN 6525043168			BT5-078-04/15
37	1	AK440617	Contact (Battery charger)	SN 6525043168			BT5-078-04/15
38	1	AK44117601	Plate	SN 6525043168			BT5-078-04/15



изображение Charging station

Ref.Nu	Qty	Part number	Description	Validity from	Validity till	Notes	Bulletin
1	2	AK510759	Screw				
2	1	AK47401234	Cover				
3	4	AK518483	Screw				
4	1	AK47093734	Cover				
5	1	AK474407	Micro-switch				
6	1	AK470921	Electric board				
7	1	AK47093801	Button			Pulsante "Home"; "Home" button	
8	1	AK474118	Spring				
9	1	AK47408201	Spring holder				
10	2	AK47484301	Cap				
11	1	AK454765	Cables set				
12	1	AK470922	Transformer			input: 230V 16A 50HZ	
13	1	AK441638	Wire			Lunghezza 10 m; Lenght 10 m	
14	6	AK453959	Screw				
15	1	AK474416	Wiring				
16	1	AK47087801	Card support				
17	2	AK701441	Nut				
18	2	AK440338	Spring contact	SN 6513161304			BT5-072-10/13
19	2	AK705959	Screw				
20	1	AK45548634	housing set				
21	1	AK47408134	Base				
22	1	AK119462	Perimeter wire			Lunghezza 150 m; lenght	
23	1	AK47087913	Footrest pad				
24	1	67010031	Plate (extension)				
25	1	AK119461R	Lawn pegs set				
26	3	AK543554	Screw				
27	1	AK47456913	Plate				
28	1	AK119500	Compl. charging station				
29	1	AK45548634	housing set	SN 6513161304			BT5-072-10/13
30	1	AK455164	Fuse				