

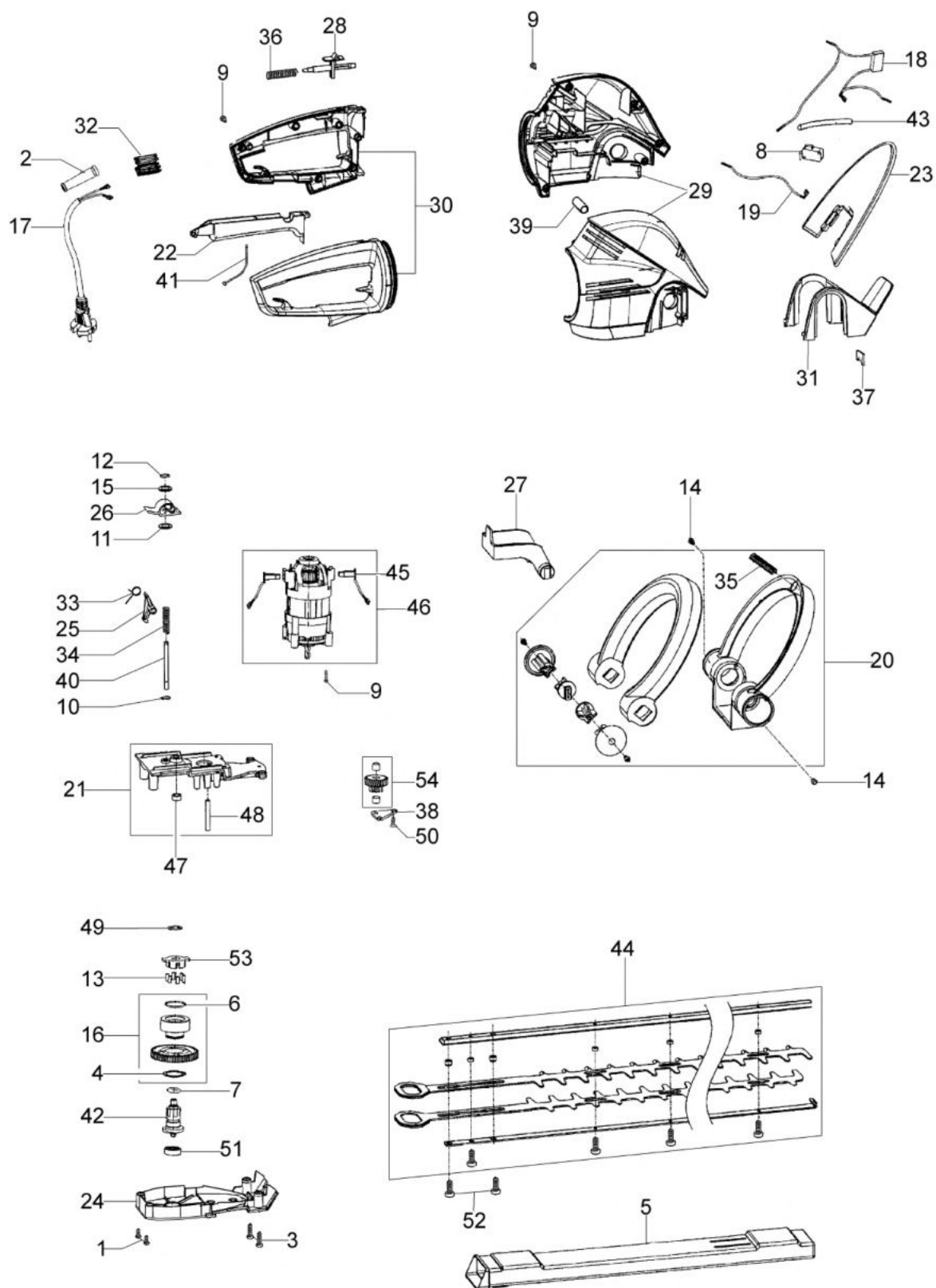
## HC 750 E Electric hedgetrimmer



### Документы

[Illustrated parts list](#)

---



## изображение Illustrated parts list

| Ref.Nu | Qty | Part number | Description     | Validity from | Validity till | Notes | Bulletin |
|--------|-----|-------------|-----------------|---------------|---------------|-------|----------|
| 1      | 1   | K27120211   | Screw           |               |               |       |          |
| 2      | 1   | K45190010   | Grommet         |               |               |       |          |
| 3      | 2   | K45190204   | Screw           |               |               |       |          |
| 4      | 1   | K45190217   | Ring            |               |               |       |          |
| 5      | 1   | K45490046   | Guard           |               |               |       |          |
| 6      | 5   | K45490069   | O-ring          |               |               |       |          |
| 7      | 5   | K45490070   | O-ring          |               |               |       |          |
| 8      | 1   | K45490142   | Switch          |               |               |       |          |
| 9      | 10  | K45490232   | Screw           |               |               |       |          |
| 10     | 5   | K45490233   | Snap ring       |               |               |       |          |
| 11     | 5   | K45490235   | Washer          |               |               |       |          |
| 12     | 5   | K45490237   | Spring          |               |               |       |          |
| 13     | 6   | K45490239   | Roller          |               |               |       |          |
| 14     | 4   | K45490244   | Screw           |               |               |       |          |
| 15     | 5   | K45490411   | Washer          |               |               |       |          |
| 16     | 1   | K45491801   | Compl. gear     |               |               |       |          |
| 17     | 1   | K45530110   | Cable           |               |               |       |          |
| 18     | 1   | K45530124   | Condenser       |               |               |       |          |
| 19     | 1   | K45530125   | Cable           |               |               |       |          |
| 20     | 1   | K45580200   | Complete handle |               |               |       |          |
| 21     | 1   | K45580122   | Support         |               |               |       |          |
| 22     | 1   | K45590105   | Lever           |               |               |       |          |
| 23     | 1   | K45590106   | Hand guard      |               |               |       |          |
| 24     | 1   | K45590107   | Plate           |               |               |       |          |
| 25     | 1   | K45590108   | Lever           |               |               |       |          |
| 26     | 1   | K45590109   | Slide control   |               |               |       |          |
| 27     | 1   | K45590111   | Lever           |               |               |       |          |
| 28     | 1   | K45590117   | Button          |               |               |       |          |
| 29     | 1   | K45590080   | Motor housing   |               |               |       |          |
| 30     | 1   | K45590186   | Complete handle |               |               |       |          |
| 31     | 1   | K45590153   | Support         |               |               |       |          |
| 32     | 1   | K45590154   | Clamp           |               |               |       |          |
| 33     | 1   | K45590201   | Spring          |               |               |       |          |
| 34     | 1   | K45590202   | Spring          |               |               |       |          |
| 35     | 1   | K45590204   | Spring          |               |               |       |          |
| 36     | 1   | K45590205   | Spring          |               |               |       |          |
| 37     | 5   | K45590220   | Felt            |               |               |       |          |
| 38     | 1   | K45590401   | Plate           |               |               |       |          |
| 39     | 1   | K45590402   | Plug            |               |               |       |          |
| 40     | 1   | K45590404   | Plug            |               |               |       |          |
| 41     | 1   | K45590406   | Cable           |               |               |       |          |
| 42     | 1   | K45590433   | Cam             |               |               |       |          |
| 43     | 1   | K45590806   | Sheath          |               |               |       |          |
| 44     | 1   | YK45590842  | Blades assy     |               |               |       |          |
| 45     | 2   | K45690147   | Brush           |               |               |       |          |
| 46     | 1   | K45691884   | Electric motor  |               |               |       |          |

## изображение Illustrated parts list

---

| Ref.Nu | Qty | Part number | Description    | Validity from | Validity till | Notes | Bulletin |
|--------|-----|-------------|----------------|---------------|---------------|-------|----------|
| 47     | 1   | K45690243   | Bushing        |               |               |       |          |
| 48     | 1   | K45690246   | Pin            |               |               |       |          |
| 49     | 5   | K45690248   | Ring           |               |               |       |          |
| 50     | 5   | K45690255   | Screw          |               |               |       |          |
| 51     | 1   | K45690260   | Bearing        |               |               |       |          |
| 52     | 5   | K45690273   | Screw          |               |               |       |          |
| 53     | 1   | K45690433   | Support        |               |               |       |          |
| 54     | 1   | K45680000   | Bevel gear set |               |               |       |          |