

PPX 250 Pole pruner



Документы

Engine

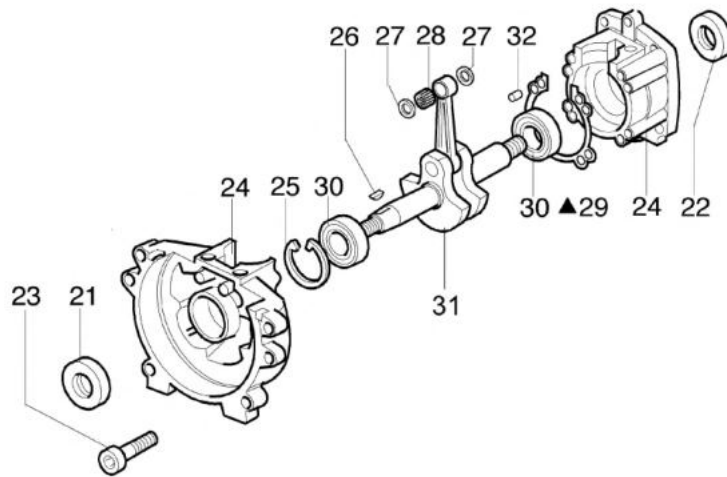
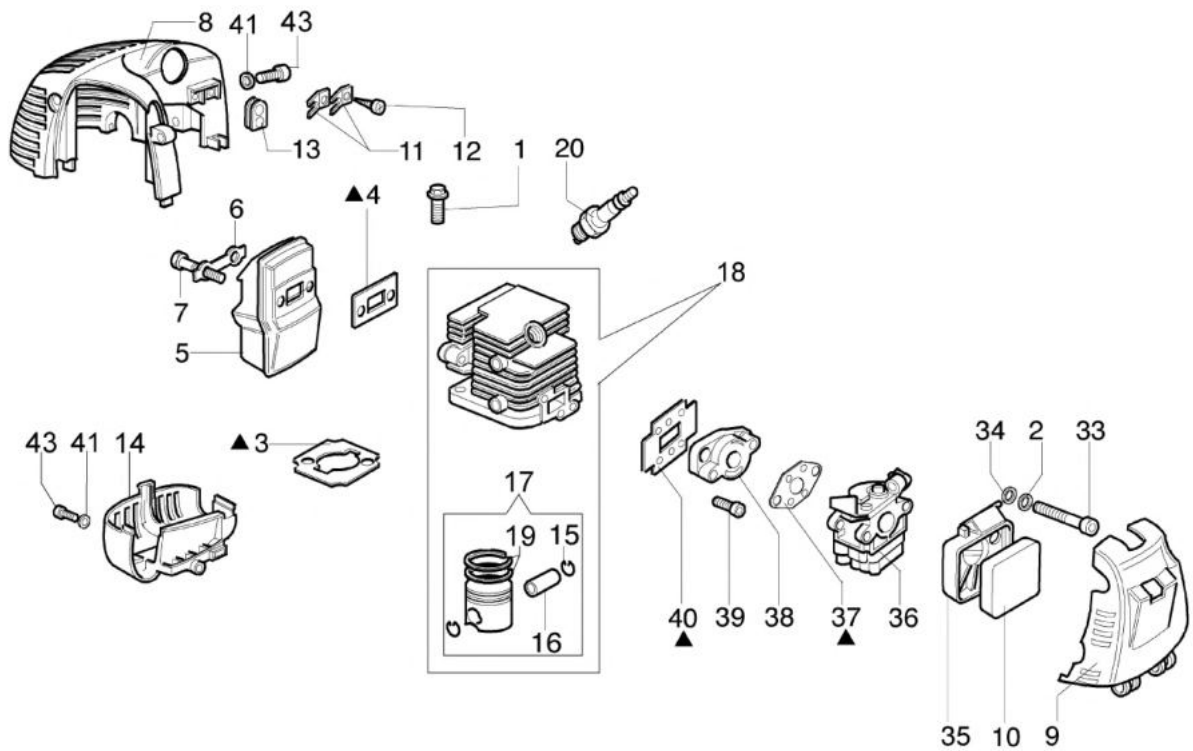
Starter assy and fuel tank

Rod (Transmission)

Pruner

Carburetor WYJ-227A

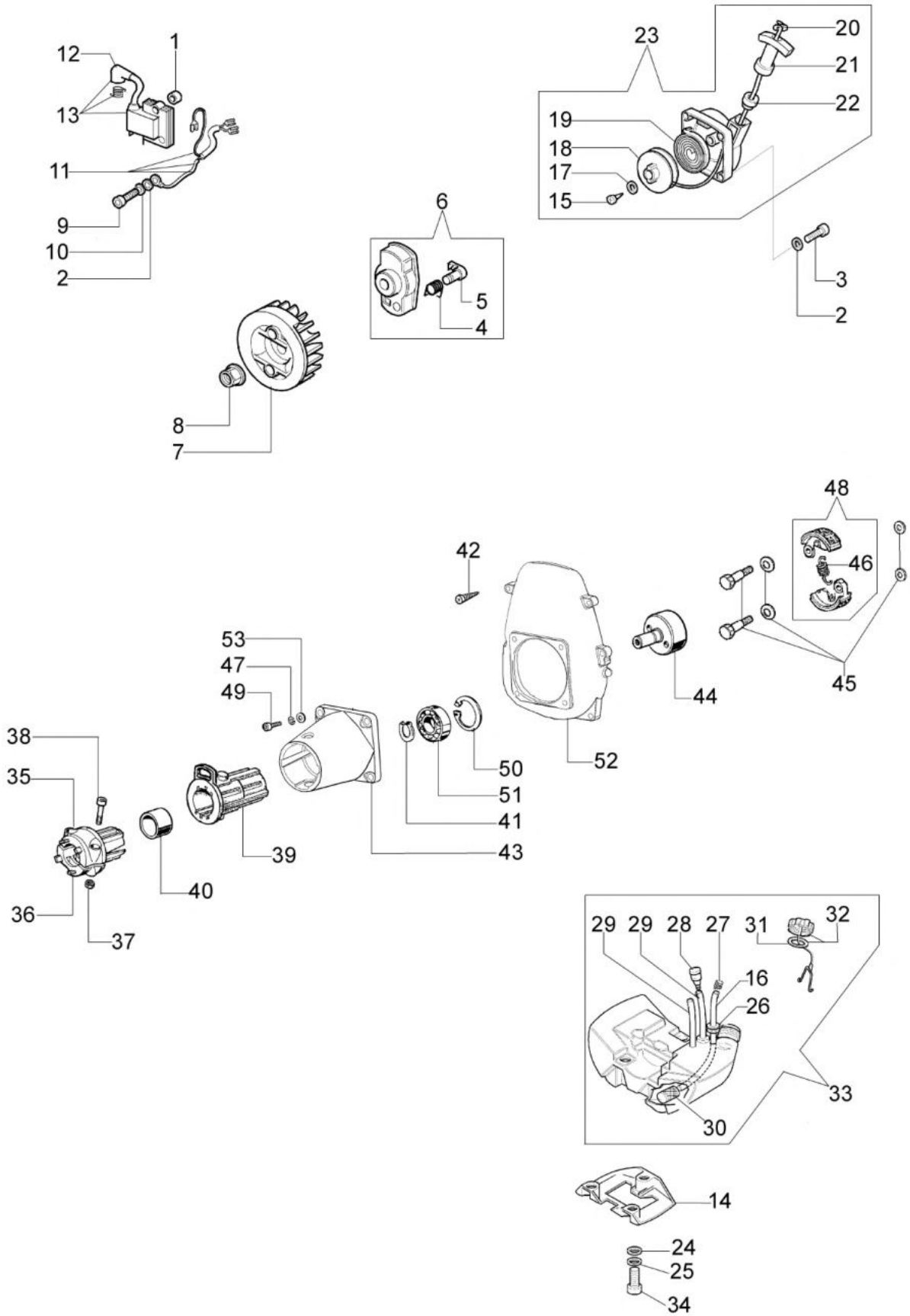
Accessories



- | | |
|----|--|
| 42 | Kit guarnizioni
Gasket set
Jeu joints
Juego juntas
Dichtungenset |
| ▲ | |

изображение Engine

Ref.Nu	Qty	Part number	Description	Validity from	Validity till	Notes	Bulletin
1	2	61070060	Screw				
2	2	3833073R	Washer				
3	1	61070059	Gasket				
4	1	61070033	Gasket				
5	1	58040140AR	Muffler				
6	1	61070055R	Plate				
7	2	3806027	Screw				
8	1	61100001	Cover				
9	1	61100003	Cover				
10	1	61070005R	Air filter				
11	2	4191069BR	Plate				
12	2	3960030R	Screw				
13	1	072700036A	Grommet				
14	1	61100006	Cover				
15	2	61070067	Ring				
16	1	61070066	Piston pin				
17	1	61070107	Piston assy				
18	1	61070072A	Complete cylinder Ø34				
19	2	61070065R	Piston ring				
20	1	3055101	Spark plug				
21	1	61070075	Seal ring				
22	1	61070074	Seal ring				
23	4	61070063	Screw				
24	1	61070061R	Crankcase				
25	1	3025019	Ring				
26	1	61070070	Key				
27	2	61070068	Spacer				
28	1	61070076	Bearing				
29	1	61070062	Gasket				
30	2	3034009R	Bearing				
31	1	61070069	Crankshaft				
32	3	61070073	Plug				
33	1	61052009BR	Screw				
34	2	61040020	Bushing				
35	1	61070003ER	Filter support				
36	1	2318900R	Carburetor WYJ-227A				
37	1	4161438	Gasket				
38	1	61070004R	Insulator				
39	2	3801051R	Screw				
40	1	61070007	Gasket				
41	2	3916004R	Washer				
42	1	61130060	Gasket set				
43	2	3801002R	Screw				

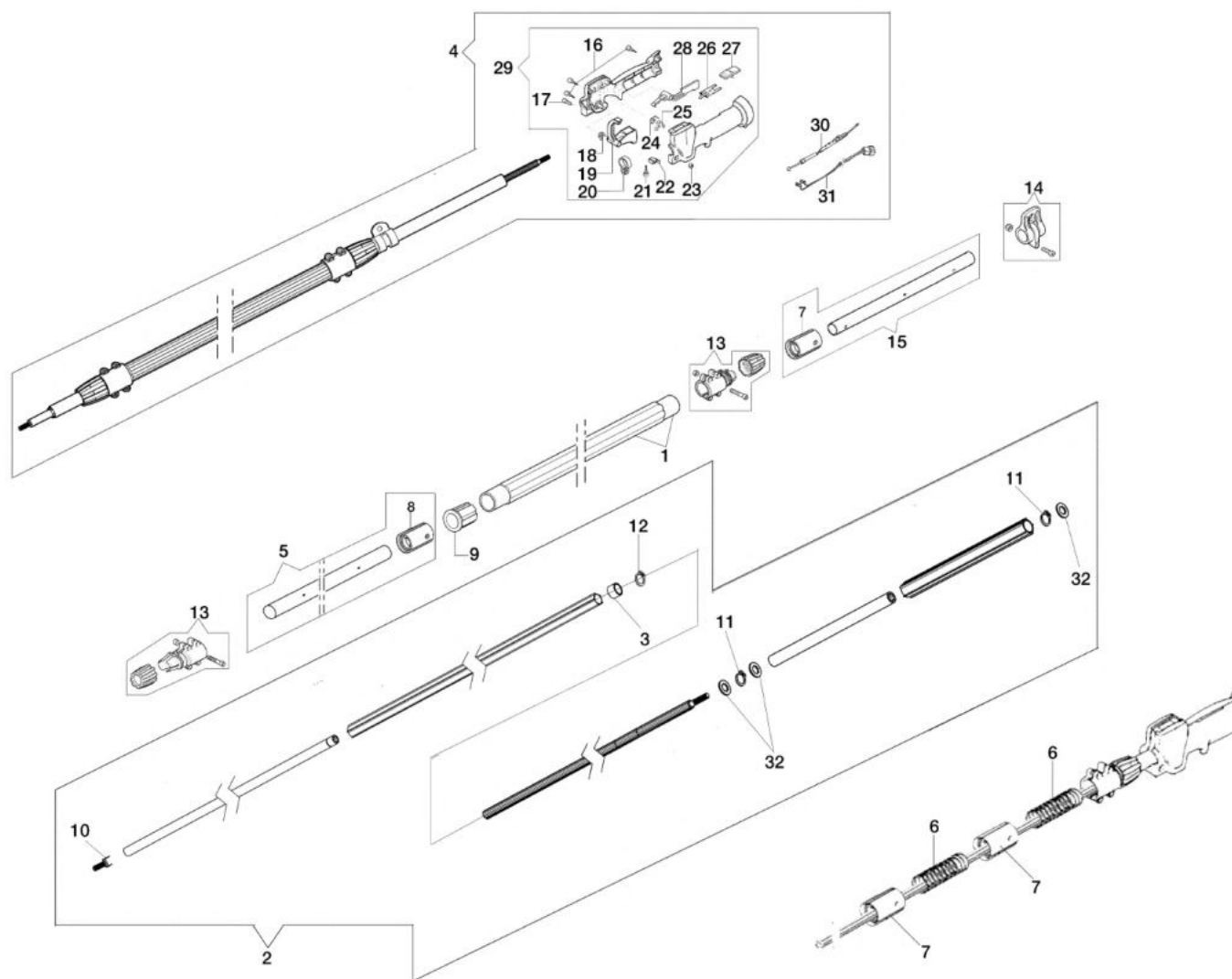


изображение Starter assy and fuel tank

Ref.Nu	Qty	Part number	Description	Validity from	Validity till	Notes	Bulletin
1	2	50070148A	Spacer				
2	4	3916004R	Washer				
3	4	3801010R	Screw				
4	1	61070039R	Spring				
5	1	61070038R	Pawl				
6	1	61070053A	Clutch driver				
7	1	61070017BR	Flywheel				
8	1	3980012	Nut				
9	2	006000085	Screw				
10	2	3819005R	Washer				
11	2	61070012R	Cable				
12	1	094600097AR	Spark plug cap				
13	1	56510066R	Ignition coil				
14	1	61100005	Stand				
15	3	3801013R	Screw				
16	1	3073021AR	Tube				
17	1	094600451	Washer				
18	1	61070035BR	Starter pulley				
19	1	61070036R	Spring				
20	1	61070019AR	Starter rope				
21	1	093500397R	Starter handle				
22	1	072700089R	Bushing				
23	1	61102006BR	Starter assy				
24	7	3918005R	Washer				
25	3	3819006R	Washer				
26	1	4161211R	Bush				
27	1	4098377R	Band				
28	1	61070011AR	Breather valve				
29	2	61290088R	Tube				
30	1	094600450R	Fuel filter				
31	1	61070006R	Gasket				
32	1	61070079AR	Tank cap				
33	1	61100036R	Tank				
34	1	3801013R	Screw				
35	1	61010020	Adaptor				
36	1	61010021	Adaptor				
37	2	3914003R	Nut				
38	2	3801016R	Screw				
39	1	4161428R	Sleeve				
40	1	4161364	Bushing				
41	1	3024012R	Snap ring				
42	4	3960064AR	Screw				
43	1	63090034	Cover				
44	1	61170050CR	Clutch drum				
45	1	61370257	Kit pin + Belleville washer + spacer ring				

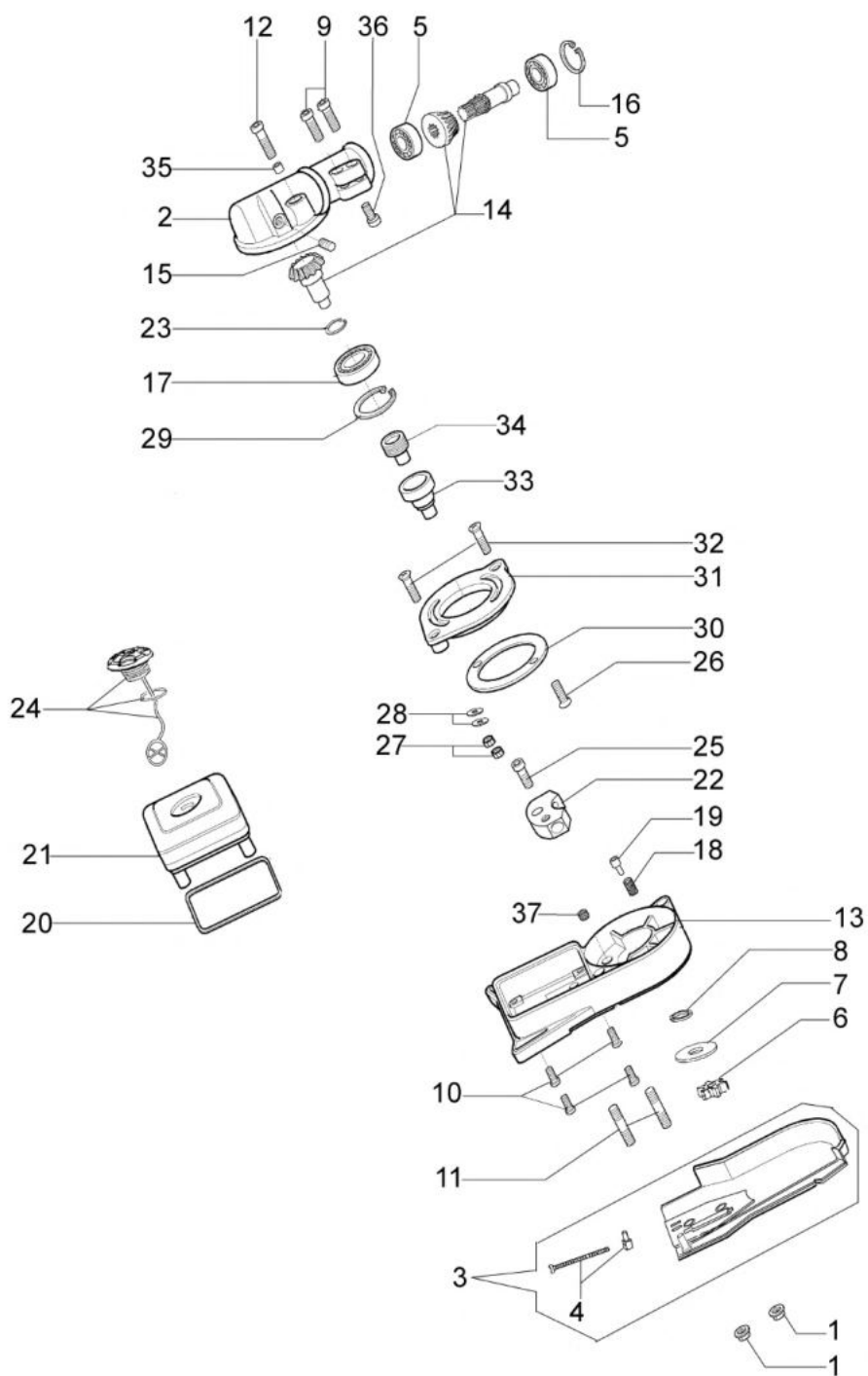
изображение Starter assy and fuel tank

Ref.Nu	Qty	Part number	Description	Validity from	Validity till	Notes	Bulletin
46	1	61070090R	Spring				
47	4	3819010R	Washer				
48	1	61070091AR	Clutch				
49	4	3801021	Screw				
50	1	3025019	Ring				
51	1	3035023R	Bearing				
52	1	63090038R	Starter case				
53	4	3916006R	Washer				



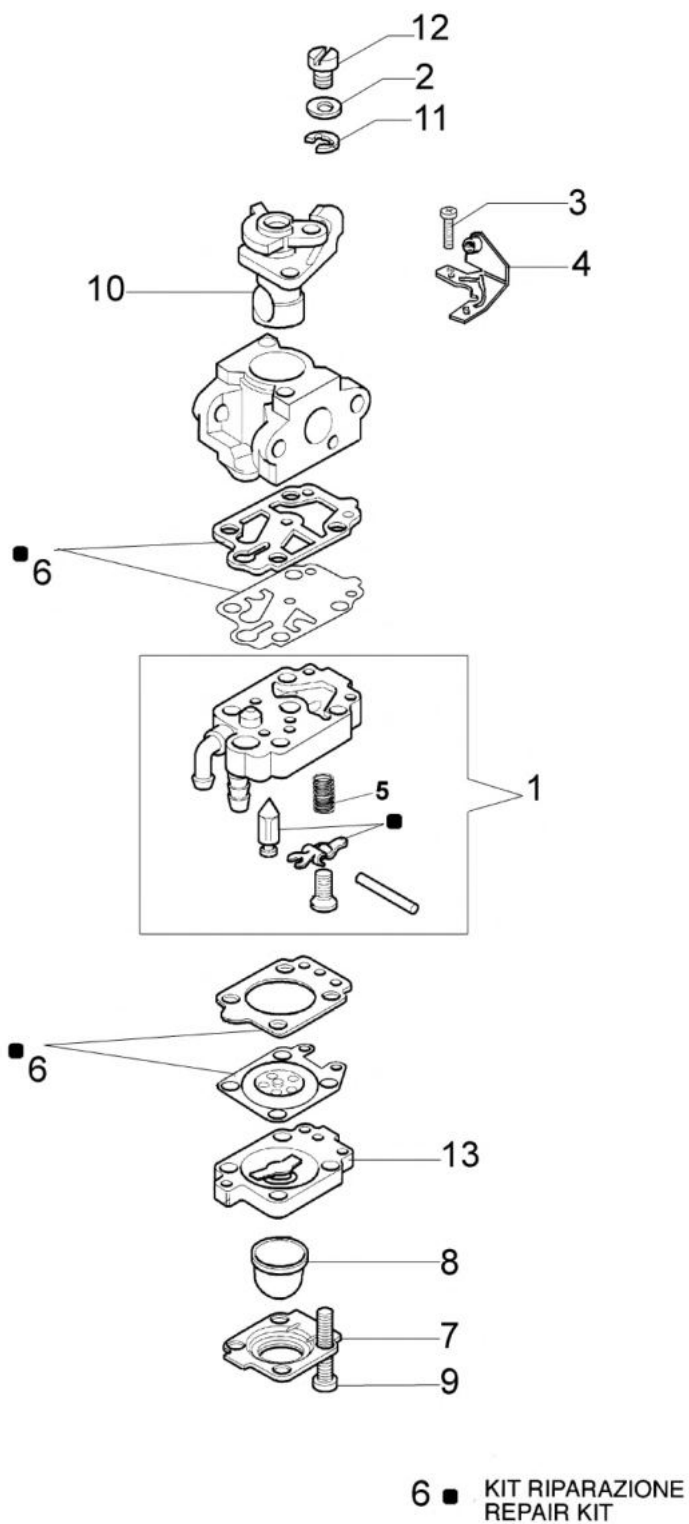
изображение Rod (Transmission)

Ref.Nu	Qty	Part number	Description	Validity from	Validity till	Notes	Bulletin
1	1	61222004AR	Tube				
2	1	63090067AR	Set transmission				BT6-114-07/15
3	1	63090049	Bushing				
4	1	61222001R	Transmiss. assy				
5	1	61222007CR	Tube				BT6-114-07/15
6	2	63090005R	Spring				
7	3	63090024BR	Support				
8	1	63090025AR	Support				
9	1	63090018	Slide				
10	1	63090043	Shaft joint				
11	2	3024011R	Ring				
32	3	63090039BR	Washer				
12	1	3024014R	Snap ring				
13	2	61222009A	Union joint kit				
14	1	4161619AR	Band				
15	1	61222008CR	Tube				BT6-114-07/15
16	3	3960067AR	Screw				
17	2	3801011R	Screw				
18	1	61040056R	Spring				
19	1	61040049	Throttle lever				
20	1	61010019	Band				
21	1	3960061AR	Screw				
22	1	61040054R	Plate				
23	1	3914003R	Nut				
24	1	61040057R	Spring				
25	1	61040052	Pawl				
26	1	61040053R	Plate				
27	1	61040051	Slide control				
28	1	61040050AR	Lever				
29	1	61012006AR	Handle				
30	1	61070080	Throttle cable				
31	1	61070081	Cable				



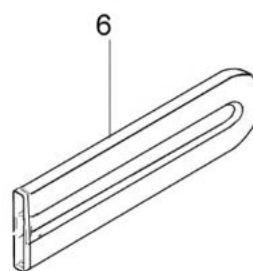
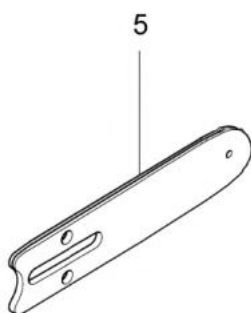
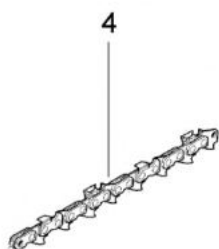
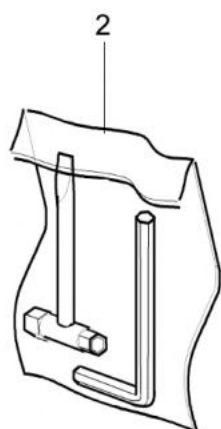
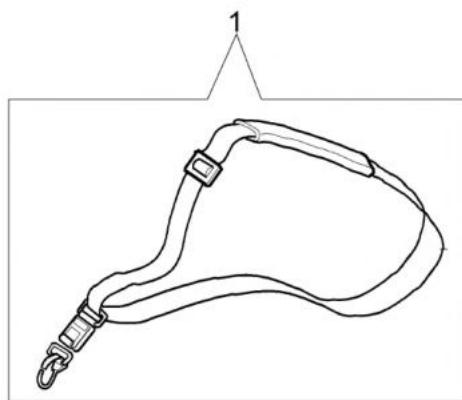
изображение Pruner

Ref.Nu	Qty	Part number	Description	Validity from	Validity till	Notes	Bulletin
1	2	004400959R	Nut				
2	1	W0000201	Gear case				
3	1	W0000202	Chain cover assy				
4	1	W0000203	Chain tensioner kit				
5	2	3034008R	Bearing				
6	1	W000105	Sprocket				
7	1	W000106	Washer				
8	1	3024017	Ring				
9	2	3801011R	Screw				
10	4	W000113	Screw				
11	2	W000112	Stud				
12	1	3801030R	Screw				
13	1	W0000204	Case				
14	1	W0000205	Bevel gear set				
15	1	3801008R	Screw				
16	1	3025018R	Ring				
17	1	W0000206	Bearing				
18	1	W0000207	Spring				
19	1	W0000208	Pin				
20	1	W000115	O-ring				
21	1	W000117	Bowl cap				
22	1	W0000209	Oil pump				
23	1	W0000210	Ring				
24	1	W0000211	Complete cap				
25	2	3801004	Screw				
26	1	W0000212	Screw				
27	2	3914003R	Nut				
28	2	3833073R	Washer				
29	1	3025022R	Ring				
30	1	W0000214	Ring				
31	1	W0000215	Ring nut				
32	1	W0000216	Screw				
33	1	W0000217	Shaft				
34	1	W0000213	Bushing				
35	1	W0000200	Bushing				
36	1	3801043	Screw				
37	1	W000118	Oil filter				



изображение Carburetor WYJ-227A

Ref.Nu	Qty	Part number	Description	Validity from	Validity till	Notes	Bulletin
1	1	2318815	Pump body assy				
2	1	2318703	Washer				
3	1	2318580	Screw				
4	1	2318813	Support				
5	1	2318568	Spring				
6	1	2318674	Repair kit				
7	1	2318571	Cover				
8	1	2318572	Primer pump				
9	4	2318585	Screw				
10	1	2318814	Valve				
11	1	2318189	Ring				
12	1	2318577	Adjuster nut				
13	1	2318570	Primer body				



изображение Accessories

Ref.Nu	Qty	Part number	Description	Validity from	Validity till	Notes	Bulletin
1	1	4160463AR	Single harness				
2	1	63090050	Tool kit				
3	1	61222006	Labels kit				
4	1	30629019A	Chain .3/8" x .043" (1,1mm)				
5	1	63090030R	Bar 10" - 25 cm				
6	1	W000139	Bar cover				