

PGE 48i S Generator



Документы

Cylinder head

Crankcase

Crankcase cover

Crankshaft and piston

Valve train - distribution

Starter assy

Carburetor

Air filter

Generator group

Control Panel

Inverter assembly

Carry handle

Lower frame

Guard

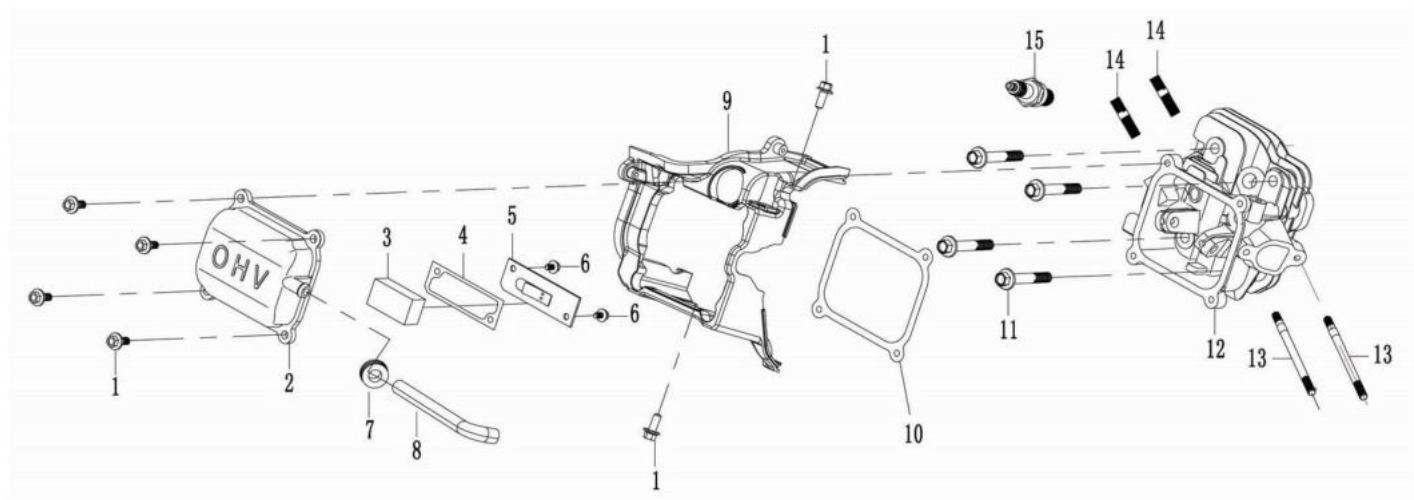
Muffler

Tank

Motor assy

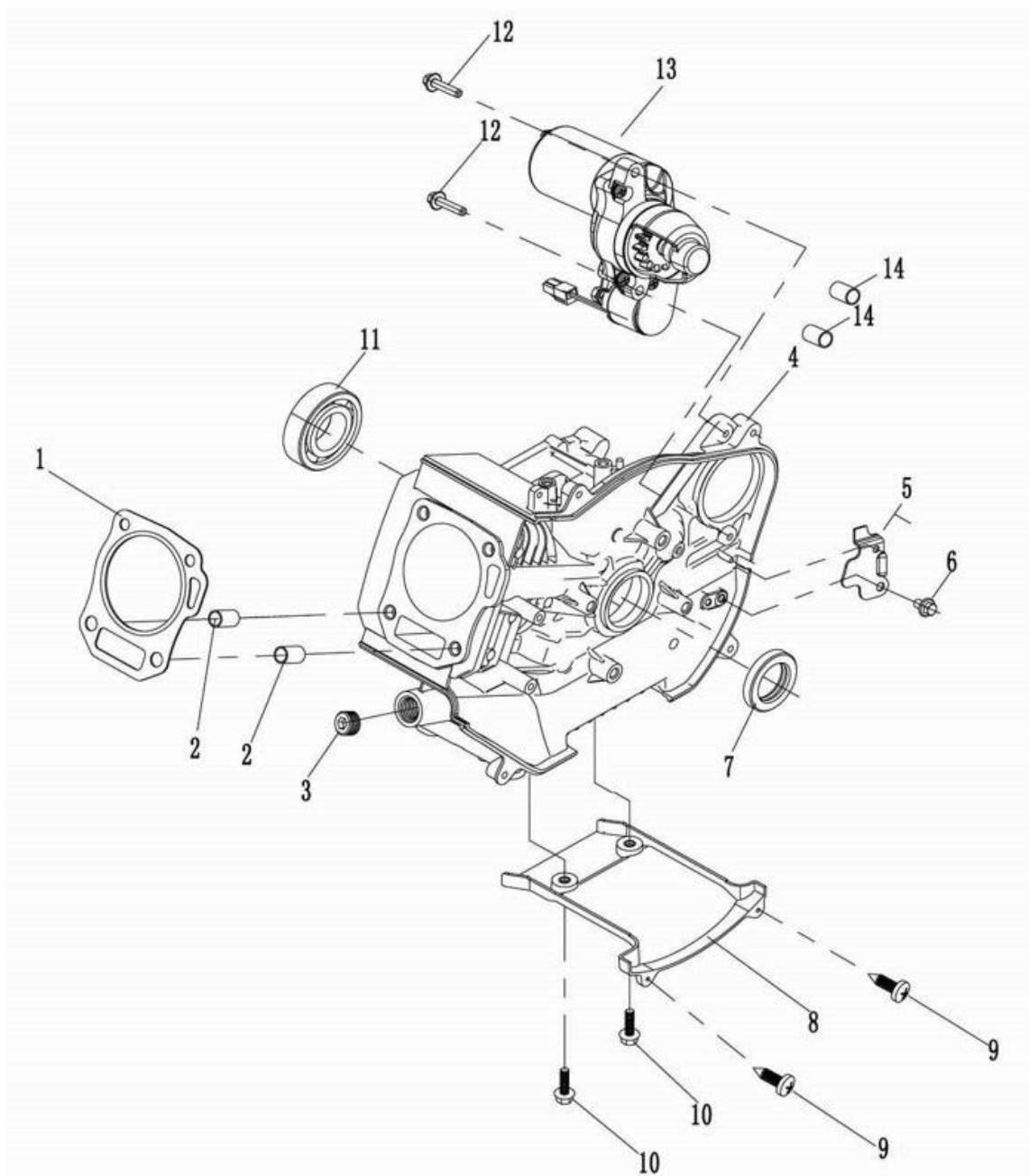
Battery

Transport wheels



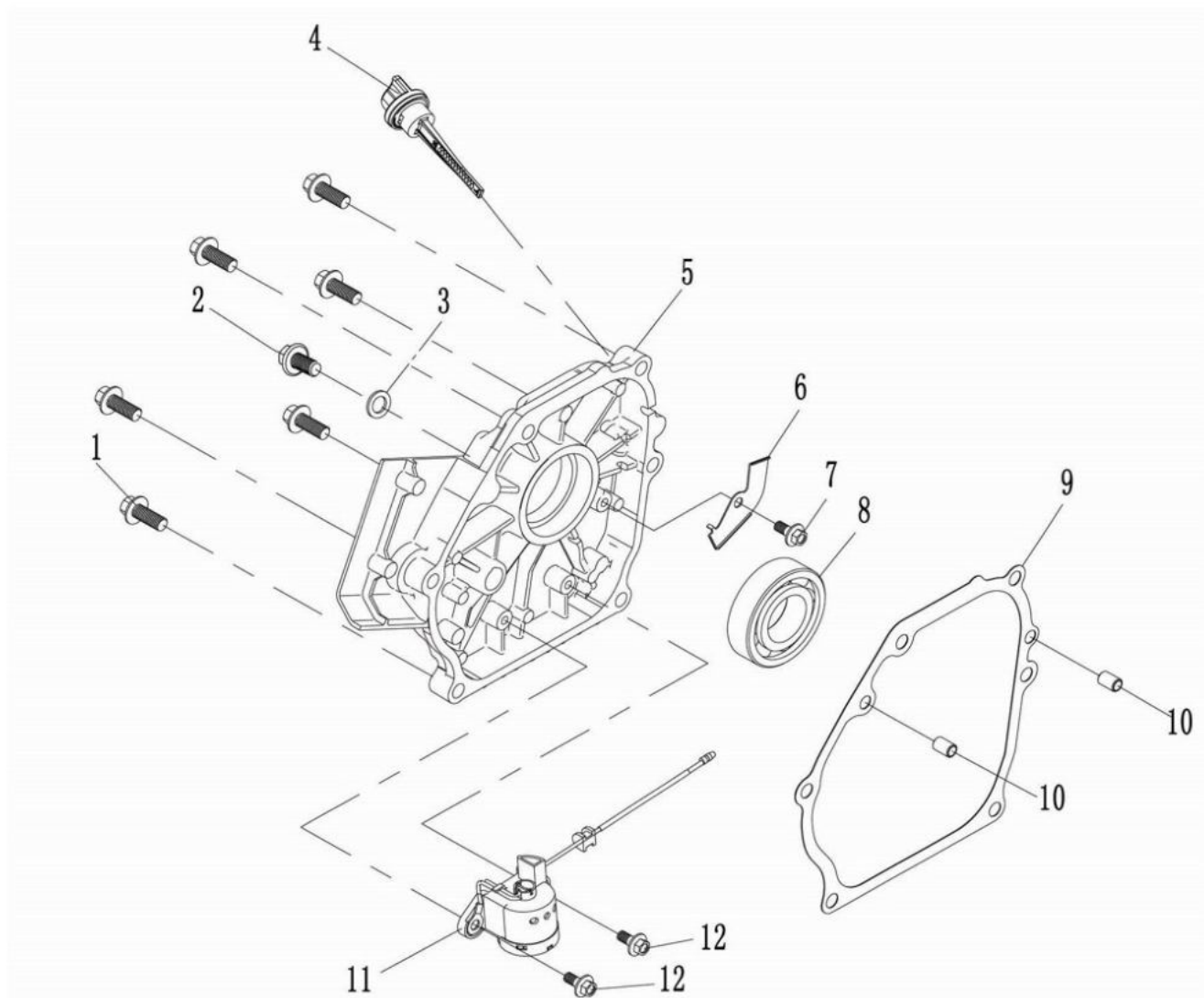
изображение Cylinder head

Ref.Nu	Qty	Part number	Description	Validity from	Validity till	Notes	Bulletin
1	6	L66152090	Screw				
2	1	L66152228	Cover				
3	1	L66152233	Oil filter				
4	1	L66152230	Gasket				
5	1	L66152231	Cover				
6	2	L66152232	Screw				
7	1	L66152609	Sleeve				
8	1	L66152610	Breather fuel pipe				
9	1	L66152611	Deflector				
10	1	L66152227	Gasket				
11	4	L66152087	Screw				
12	1	L66152612	Cylinder				
13	2	L66152613	Stud				
14	2	L66152085	Stud				
15	1	L66152086	Spark plug				



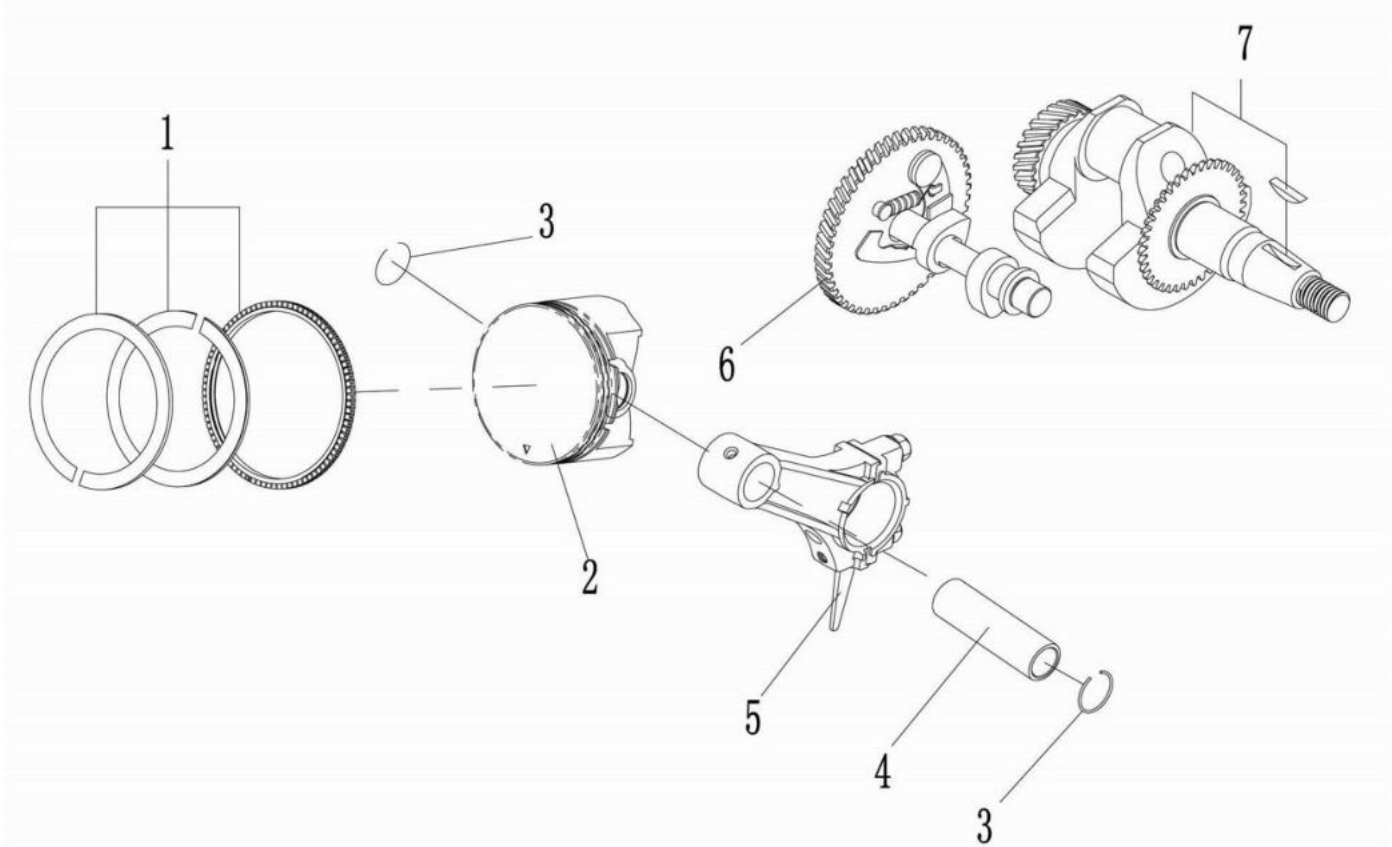
изображение Crankcase

Ref.Nu	Qty	Part number	Description	Validity from	Validity till	Notes	Bulletin
1	1	L66152226	Gasket				
2	2	L66152083	Pin				
3	1	L66152614	Washer				
4	1	L66152615	Crankcase				
5	1	L66152616	Plate				
6	1	L66152097	Screw				
7	1	L66152093	Seal ring				
8	1	L66152617	Side conveyer				
9	2	L66152595	Screw				
10	2	L66152618	Screw				
11	1	L66152722	Bearing				
12	2	L66152410	Screw				
13	1	L66152619	Electric starter				
14	2	L66152293	Pin				



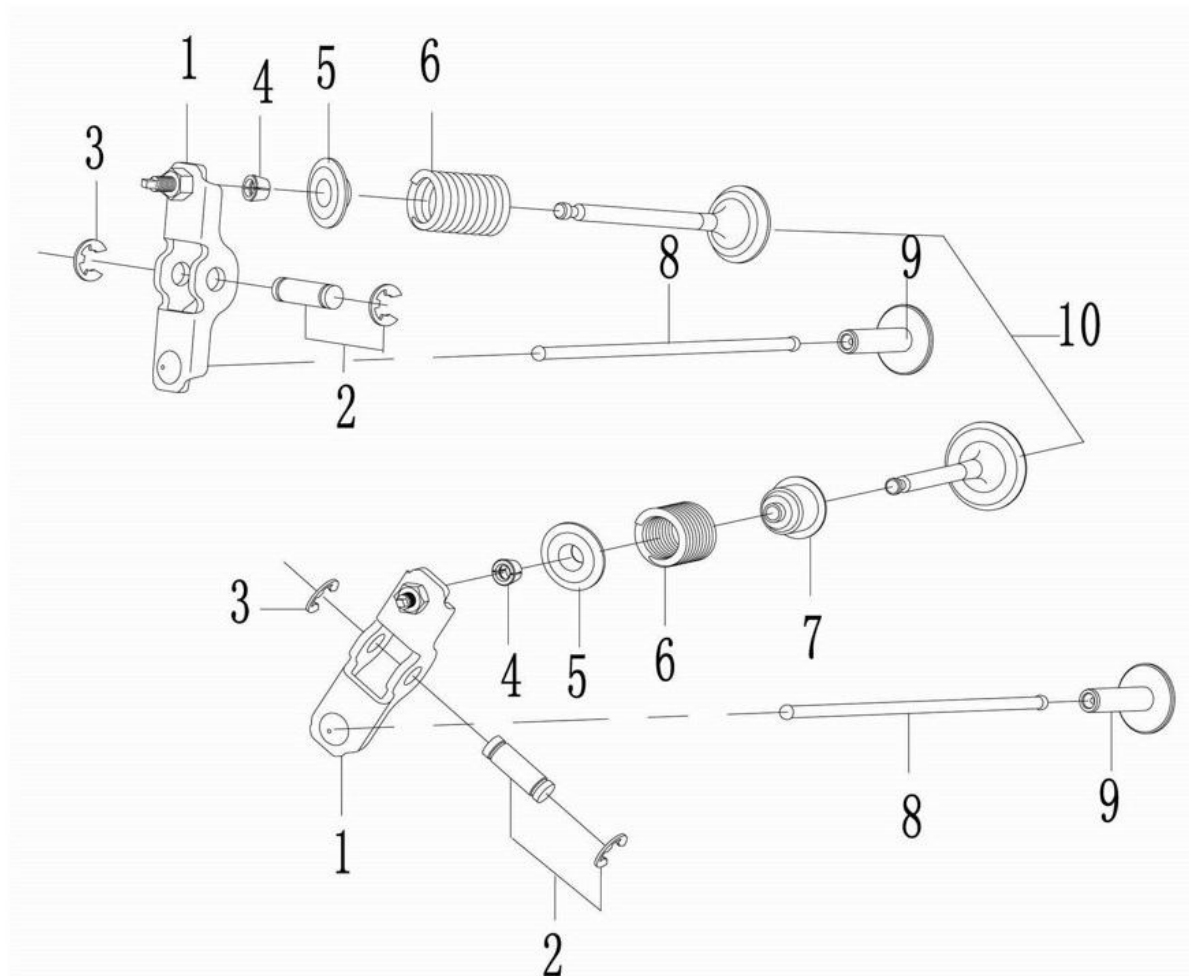
изображение Crankcase cover

Ref.Nu	Qty	Part number	Description	Validity from	Validity till	Notes	Bulletin
1	6	L66152104	Screw				
2	1	L66152095	Screw				
3	1	L66152094	Washer				
4	1	L66152620	Oil cap				
5	1	L66152621	Crankcase cover				
6	1	L66152622	Plate				
7	1	L66152097	Screw				
8	1	L66152722	Bearing				
9	1	L66152623	Gasket				
10	2	L66152107	Pin				
11	1	L66152624	Oil sensor				
12	2	L66152247	Screw				



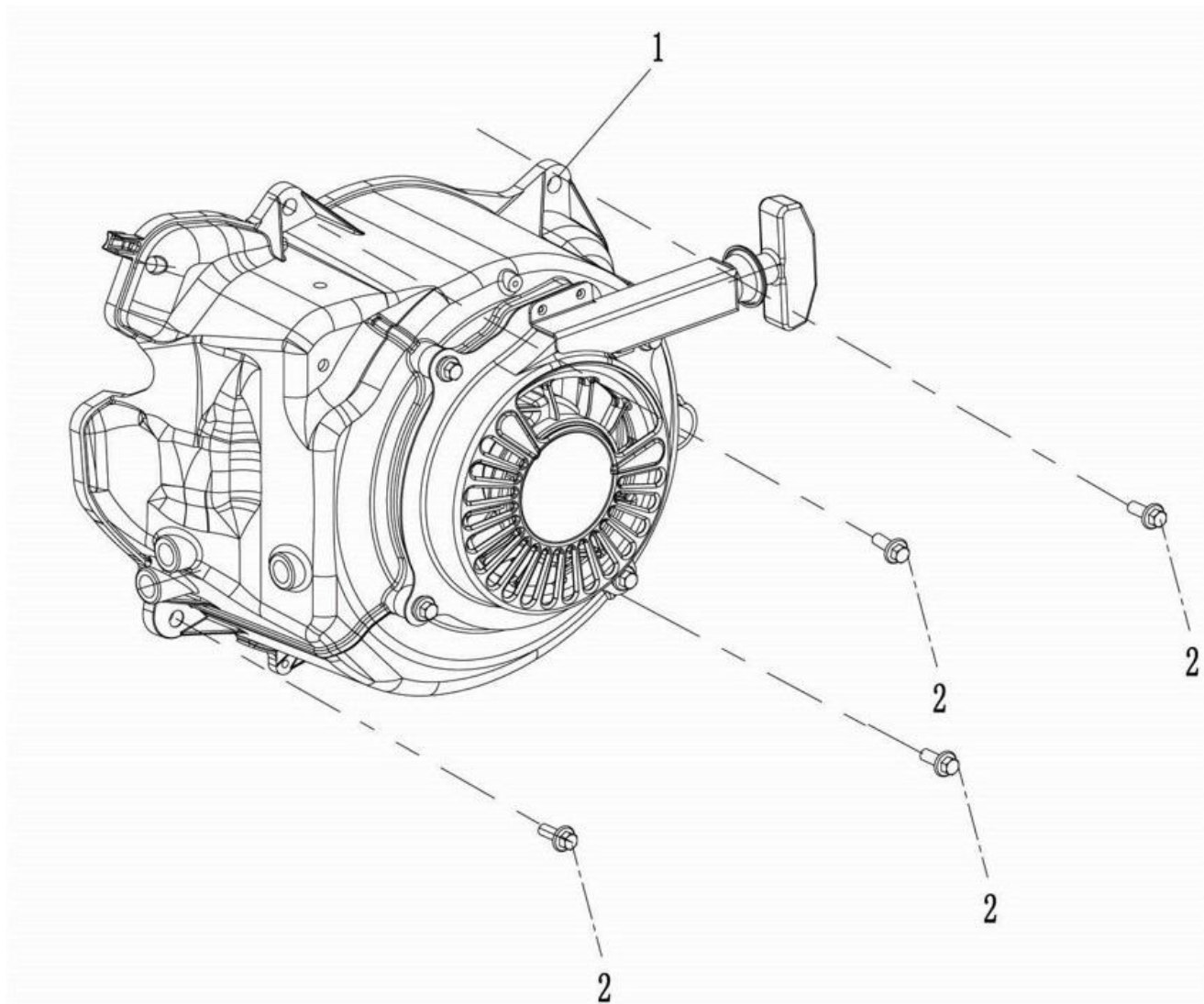
изображение Crankshaft and piston

Ref.Nu	Qty	Part number	Description	Validity from	Validity till	Notes	Bulletin
1	1	L66152625	Piston ring set				
2	1	L66152626	Piston				
3	2	L66152627	Ring				
4	1	L66152628	Piston pin				
5	1	L66152629	Complete connecting rod				
6	1	L66152630	Camshaft assy				
7	1	L66152631	Crankshaft				



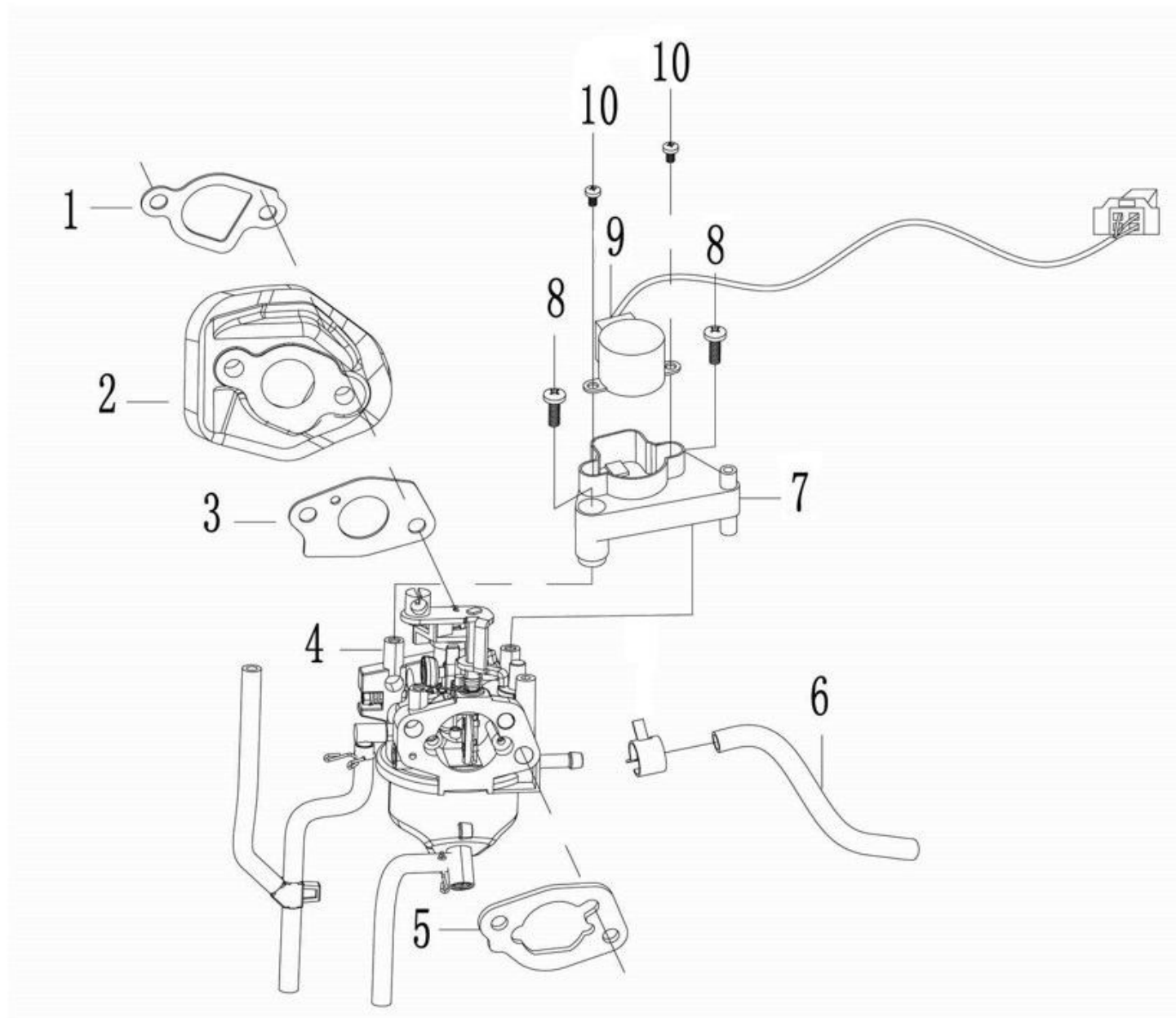
изображение Valve train - distribution

Ref.Nu	Qty	Part number	Description	Validity from	Validity till	Notes	Bulletin
1	2	L66152239	Compensator				
2	2	L66152240	Pin				
3	2	L66152241	Ring				
4	4	L66152632	Clamp				
5	2	L66152633	Spring holder				
6	2	L66152634	Valves spring				
7	1	L66152131	Seal				
8	2	L66152635	Equalizer rod				
9	2	L66152127	Slide				
10	1	L66152636	Valves kit				



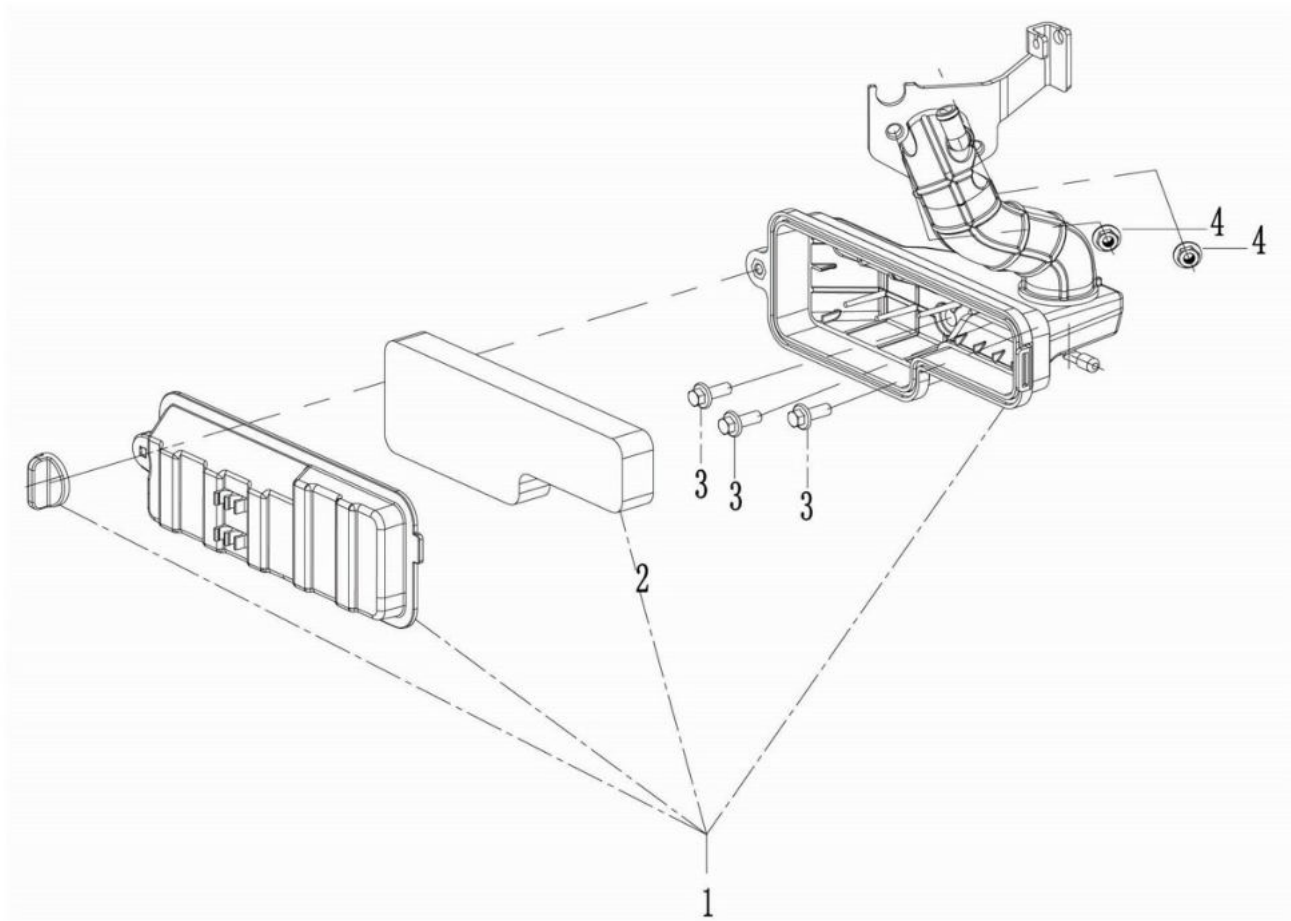
изображение Starter assy

Ref.Nu	Qty	Part number	Description	Validity from	Validity till	Notes	Bulletin
1	1	L66152637	Starter assy				
2	4	L66152532	Screw				



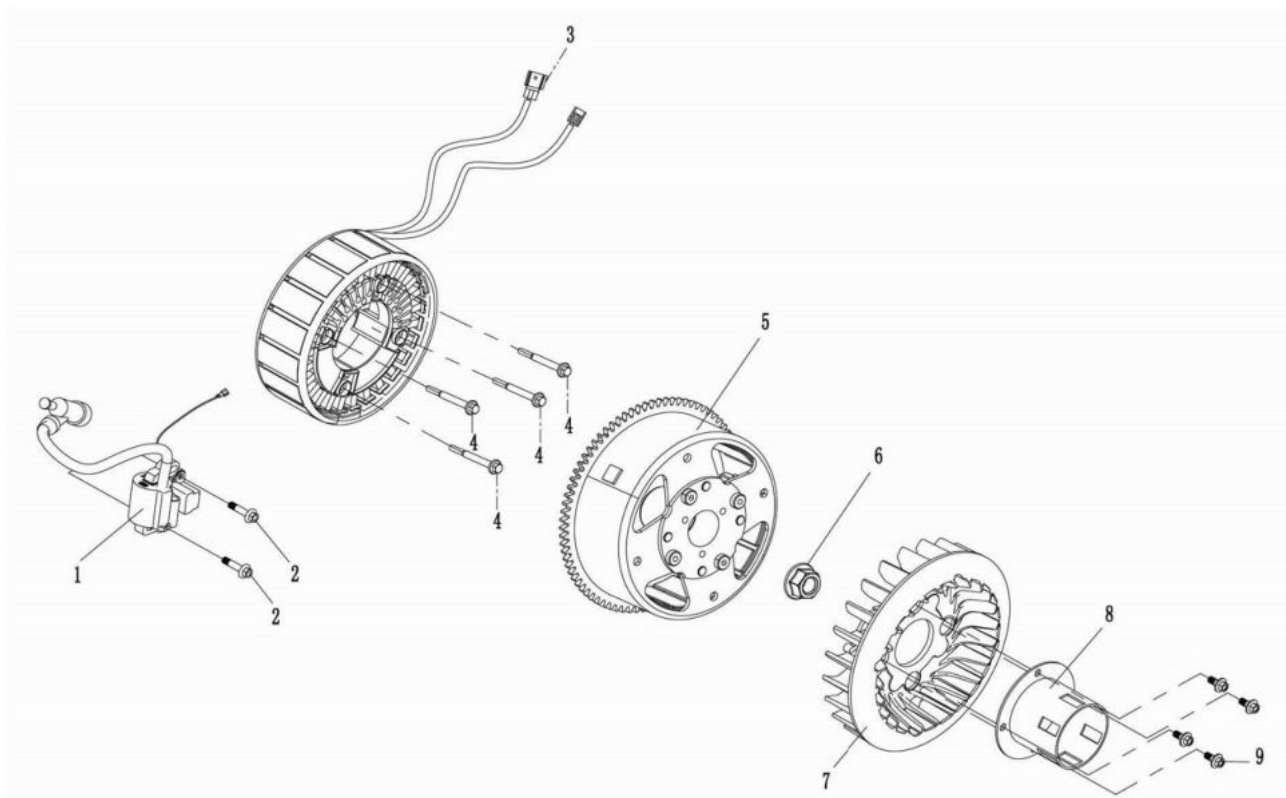
изображение Carburetor

Ref.Nu	Qty	Part number	Description	Validity from	Validity till	Notes	Bulletin
1	1	L66152144	Gasket				
2	1	L66152638	Insulator				
3	1	L66152142	Gasket				
4	1	L66152639	Carburetor				
5	1	L66152640	Gasket				
6	1	L66152641	Oil line				
7	1	L66152642	Support				
8	2	L66152643	Screw				
9	1	L66152644	Governor				
10	2	L66152645	Screw				



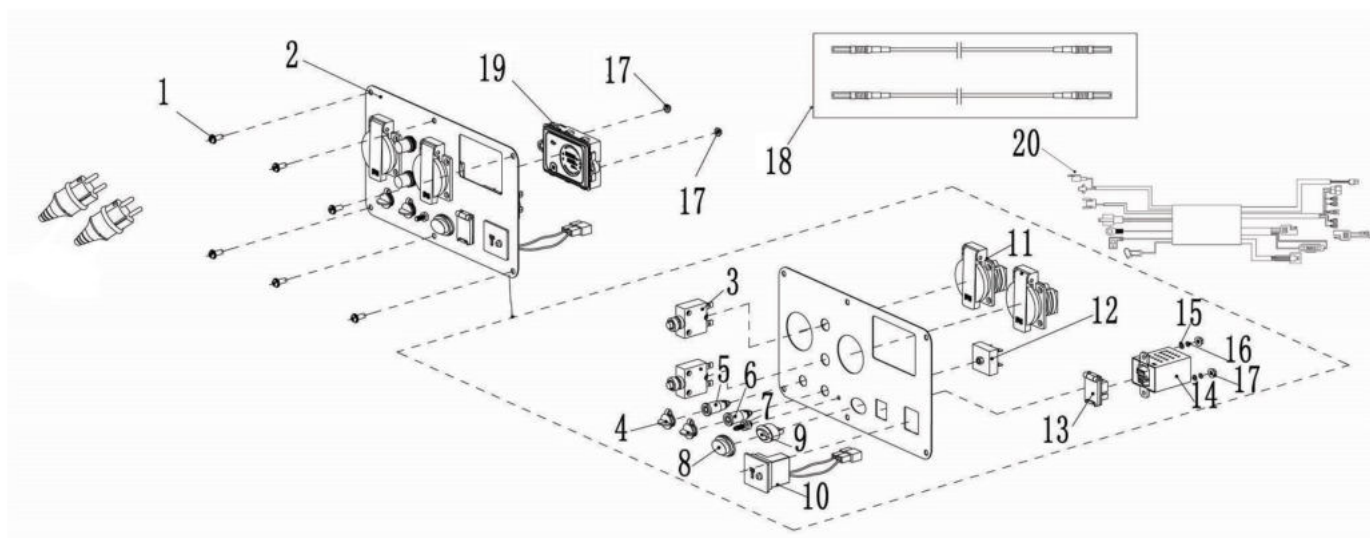
изображение Air filter

Ref.Nu	Qty	Part number	Description	Validity from	Validity till	Notes	Bulletin
1	1	L66152646	Complete air filter				
2	1	L66152647	Air filter				
3	3	L66152532	Screw				
4	2	L66152648	Bolt				



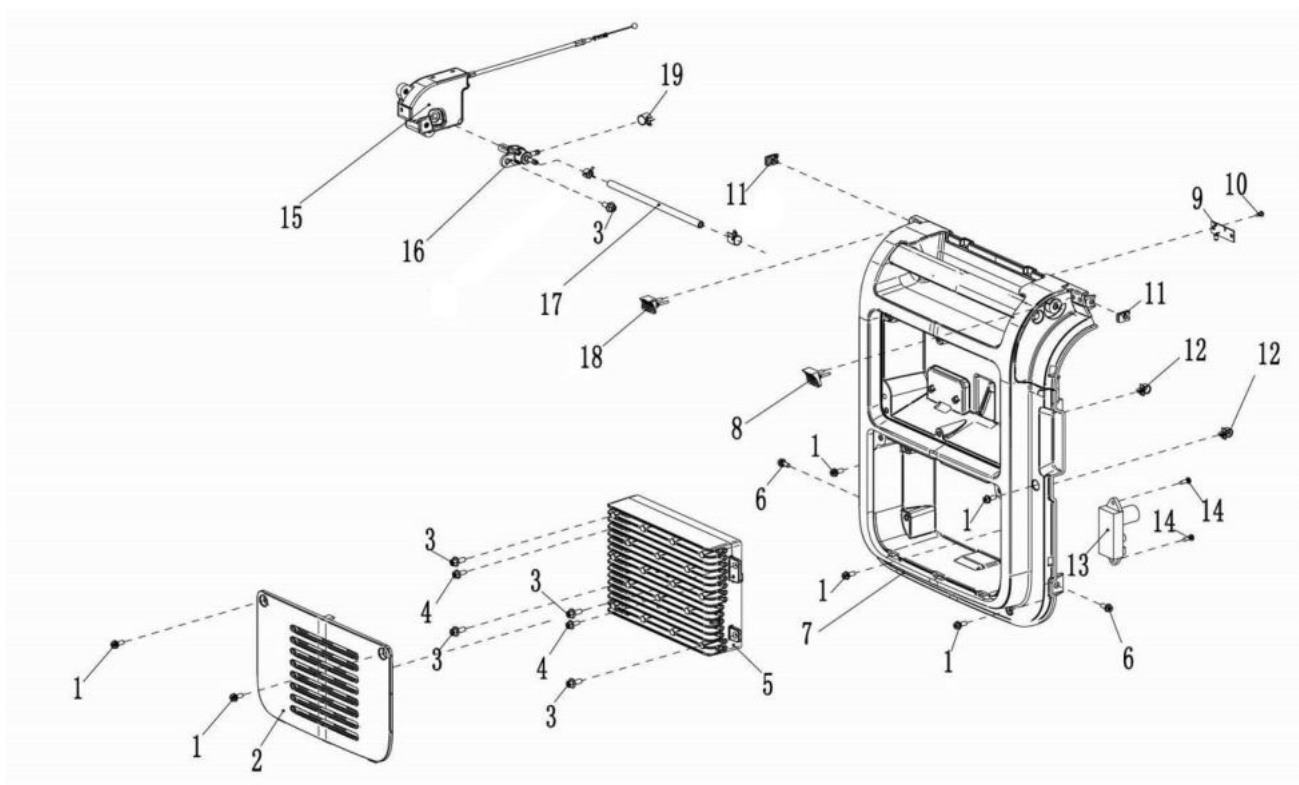
изображение Generator group

Ref.Nu	Qty	Part number	Description	Validity from	Validity till	Notes	Bulletin
1	1	L66152649	Ignition coil				
2	2	L66152147	Screw				
3	1	L66152650	Stator				
4	4	L66152723	Bolt				
5	1	L66152651	Rotor				
6	1	L66152334	Nut				
7	1	L66152652	Fan				
8	1	L66152653	Pulley				
9	4	L66152532	Screw				



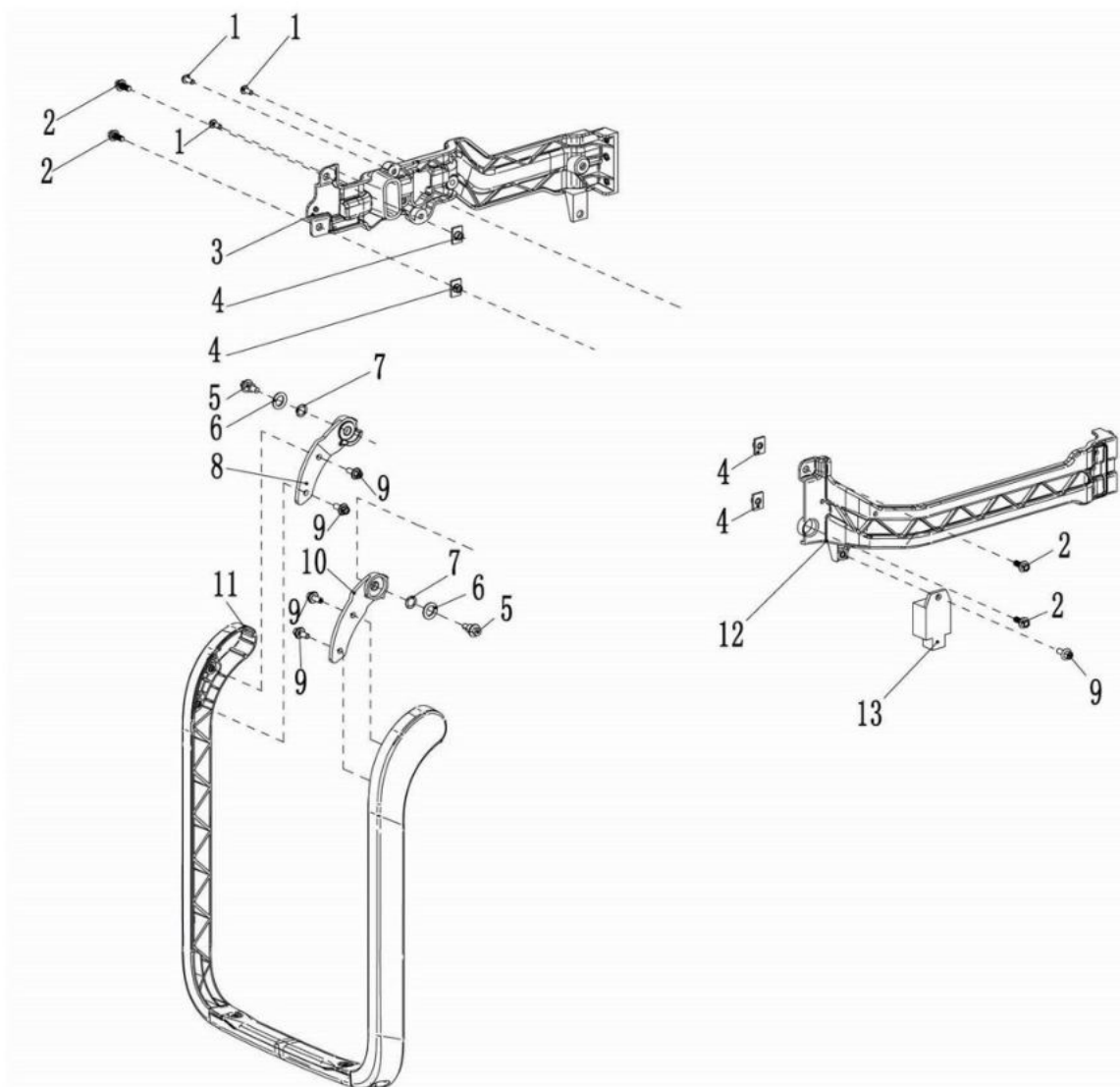
изображение Control Panel

Ref.Nu	Qty	Part number	Description	Validity from	Validity till	Notes	Bulletin
1	6	L66152724	Screw				
2	1	L66152654	Control Panel				
3	2	L66152655	Electrical protection				
4	2	L66152572	Cap				
5	1	L66152656	Socket				
6	1	L66152657	Socket				
7	1	L66152566	Earthing terminal				
8	1	L66152570	Rubber protection				
9	1	L66152571	Switch				
10	1	L66152658	Socket				
11	2	L66152388	Plug				
12	1	L66152196	Rectifier				
13	1	L66152659	Cap				
14	1	L66152660	USB/AUX				
15	2	L66152661	Washer				
16	2	L66152662	Washer				
17	4	L66152199	Nut				
18	1	L66152663	Network cable				
19	1	L66152664	Indicator				
20	1	L66152665	Wiring				



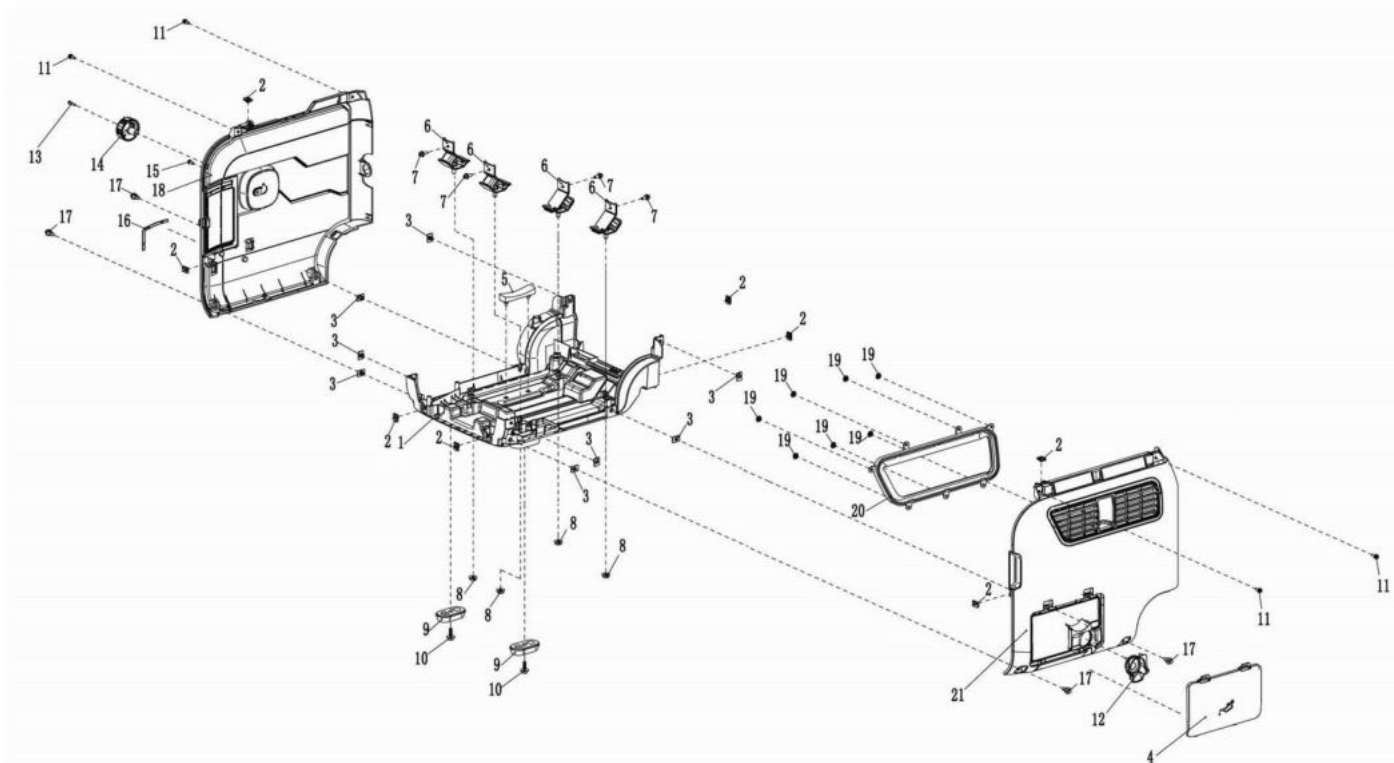
изображение Inverter assembly

Ref.Nu	Qty	Part number	Description	Validity from	Validity till	Notes	Bulletin
1	6	L66152597	Screw				
2	1	L66152666	Plate				
3	5	L66152090	Screw				
4	2	L66152725	Bolt				
5	1	L66152667	Inverter				
6	2	L66152726	Bolt				
7	1	L66152668	Panel support				
8	1	L66152669	Buffer				
9	1	L66152670	Indicator				
10	1	L66152671	Screw				
11	2	L66152596	Nut				
12	2	L66152672	Fairled				
13	1	L66152673	Ignition coil				
14	2	L66152595	Screw				
15	1	L66152674	Commutator				
16	1	L66152675	Tap				
17	1	L66152552	Tube				
18	1	L66152676	Buffer				
19	1	L66152551	Fairled				



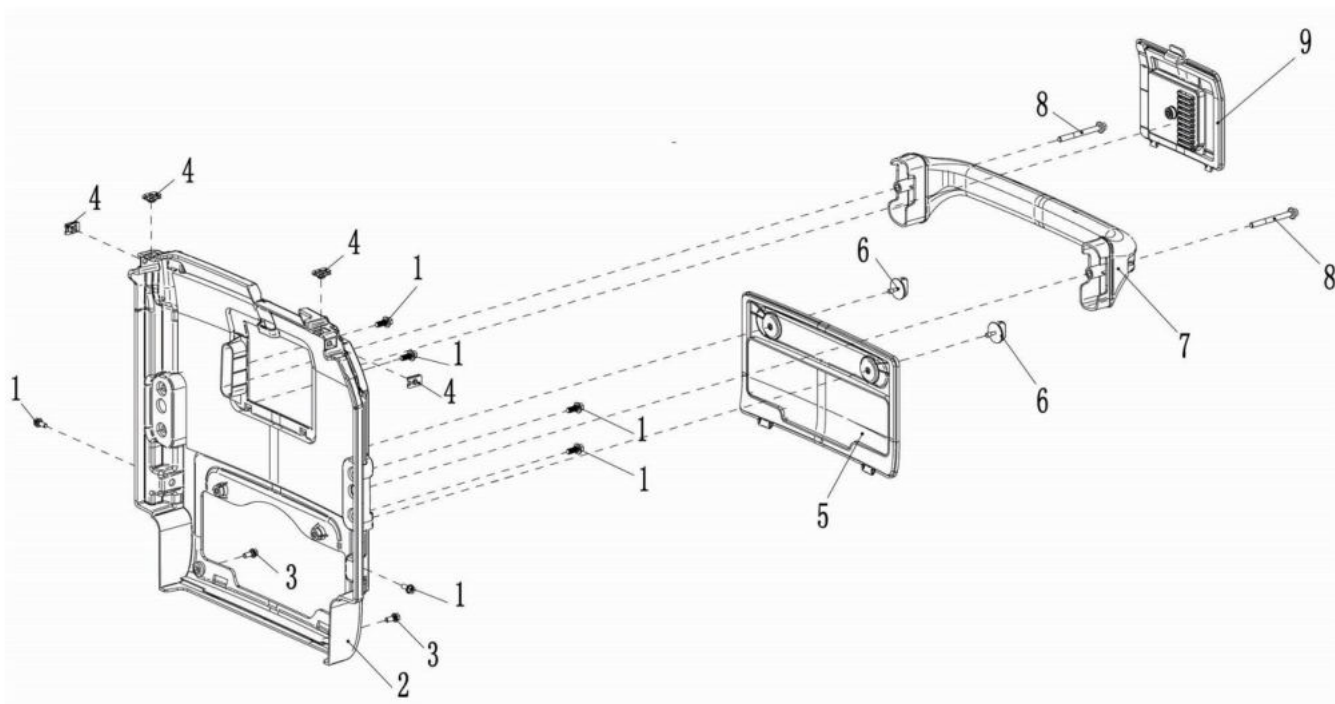
изображение Carry handle

Ref.Nu	Qty	Part number	Description	Validity from	Validity till	Notes	Bulletin
1	3	L66152724	Screw				
2	4	L66152726	Bolt				
3	1	L66152677	Frame				
4	4	L66152556	Nut				
5	2	L66152584	Screw				
6	2	L66152678	Washer				
7	2	L66152679	Washer				
8	1	L66152680	Lever support				
9	5	L66152090	Screw				
10	1	L66152681	Lever support				
11	1	L66152682	Handle				
12	1	L66152683	Frame				
13	1	L66152684	Charger				



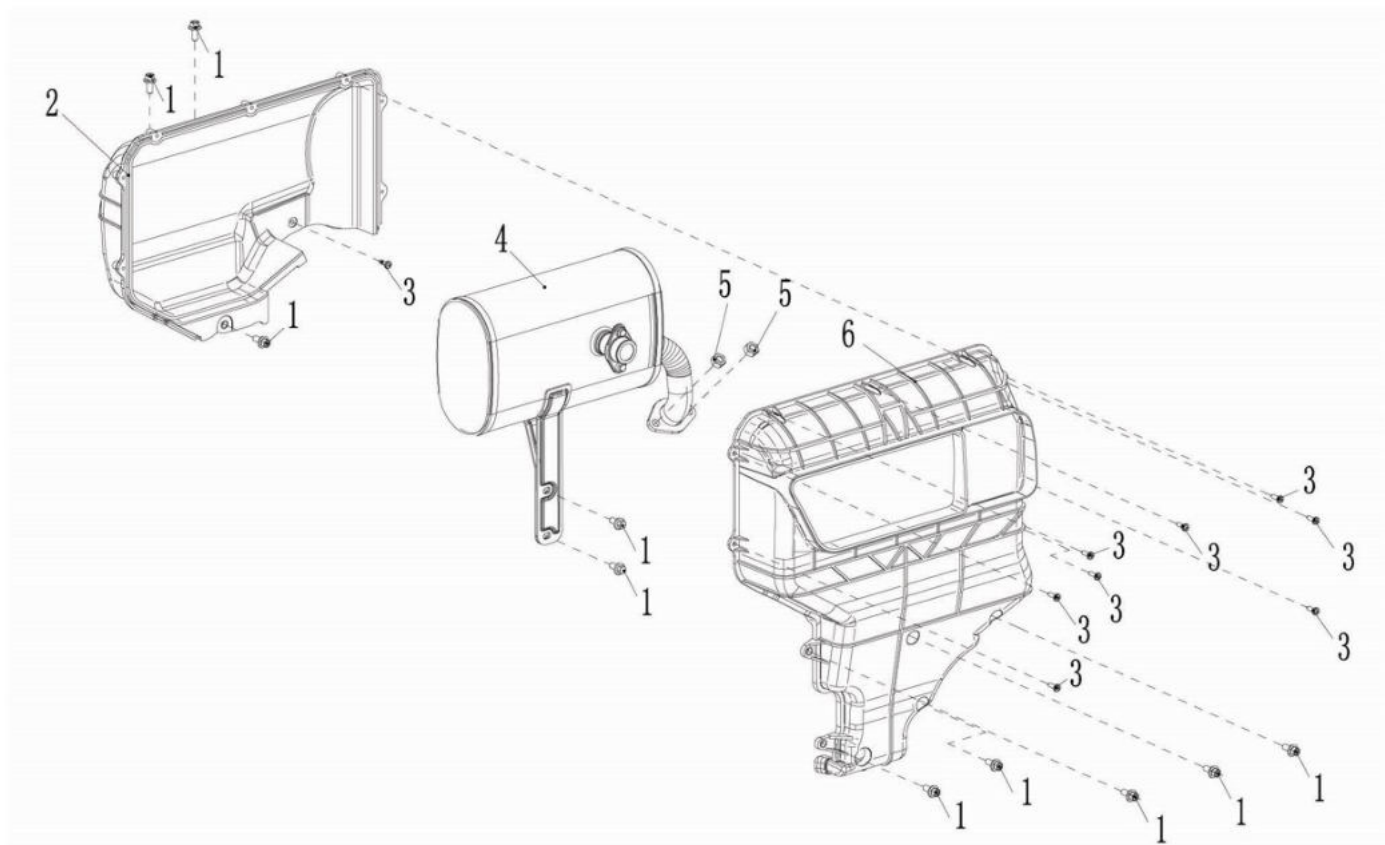
изображение Lower frame

Ref.Nu	Qty	Part number	Description	Validity from	Validity till	Notes	Bulletin
1	1	L66152685	Lower frame				
2	8	L66152596	Nut				
3	8	L66152556	Nut				
4	1	L66152728	Oil window				
5	1	L66152727	AV-mount				
6	4	L66152687	Anti-vibration support				
7	4	L66152090	Screw				
8	4	L66152202	Nut				
9	2	L66152688	AV-mount				
10	2	L66152558	Screw				
11	4	L66152597	Screw				
12	1	L66152689					
13	1	L66152690	Screw				
14	1	L66152691					
15	1	L66152724	Screw				
16	1	L66152692	Gasket				
17	4	L66152584	Screw				
18	1	L66152729	Cover (Left)				
19	7	L66152562	Washer				
20	1	L66152694	Gasket				
21	1	L66152730	Cover (right)				



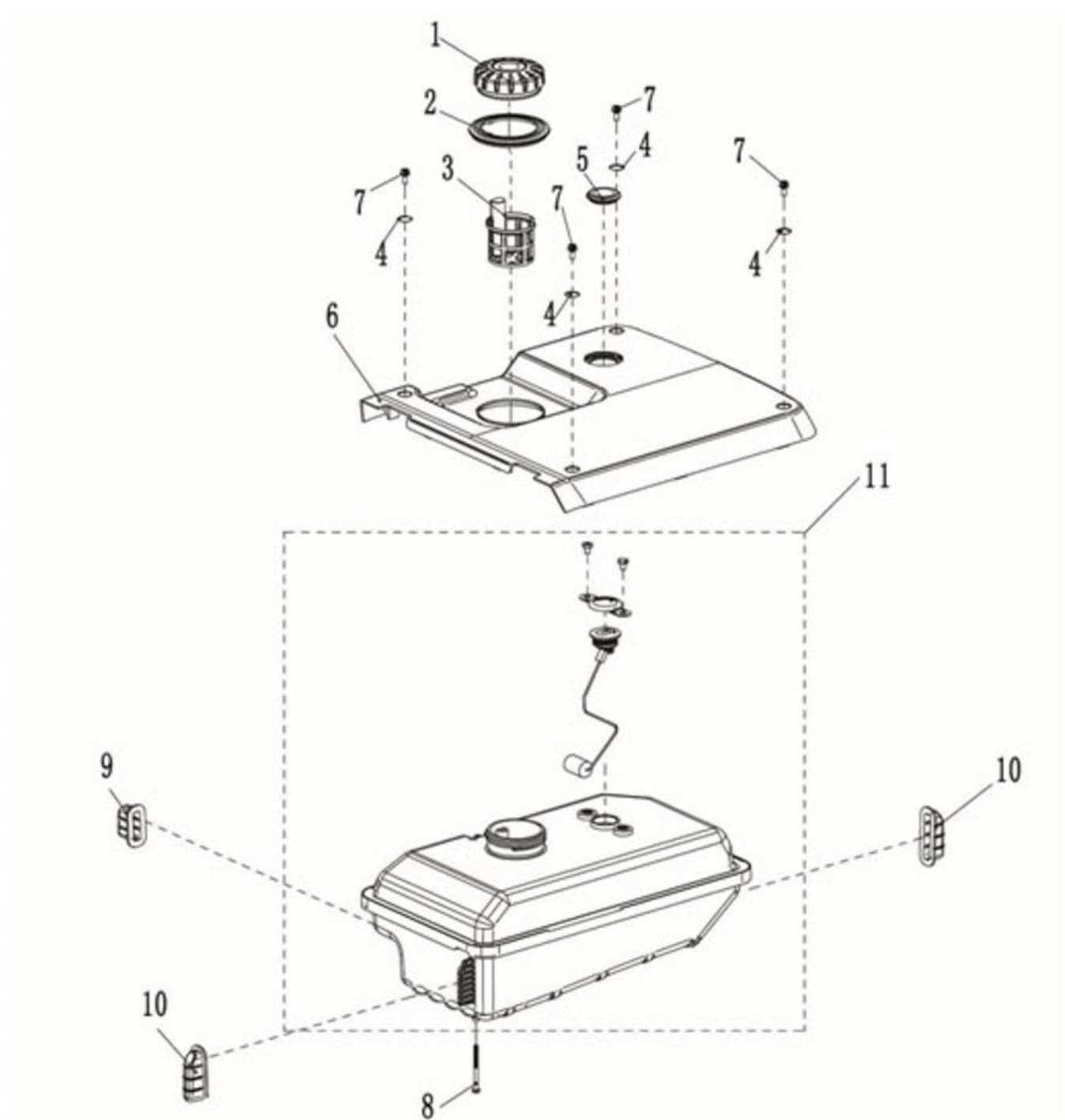
изображение Guard

Ref.Nu	Qty	Part number	Description	Validity from	Validity till	Notes	Bulletin
1	6	L66152726	Bolt				
2	1	L66152731	Protective screen				
3	2	L66152597	Screw				
4	4	L66152596	Nut				
5	1	L66152732	Bolt				
6	2	L66152698	Bolt				
7	1	L66152699	Handle				
8	2	L66152723	Bolt				
9	1	L66152733	Cover				



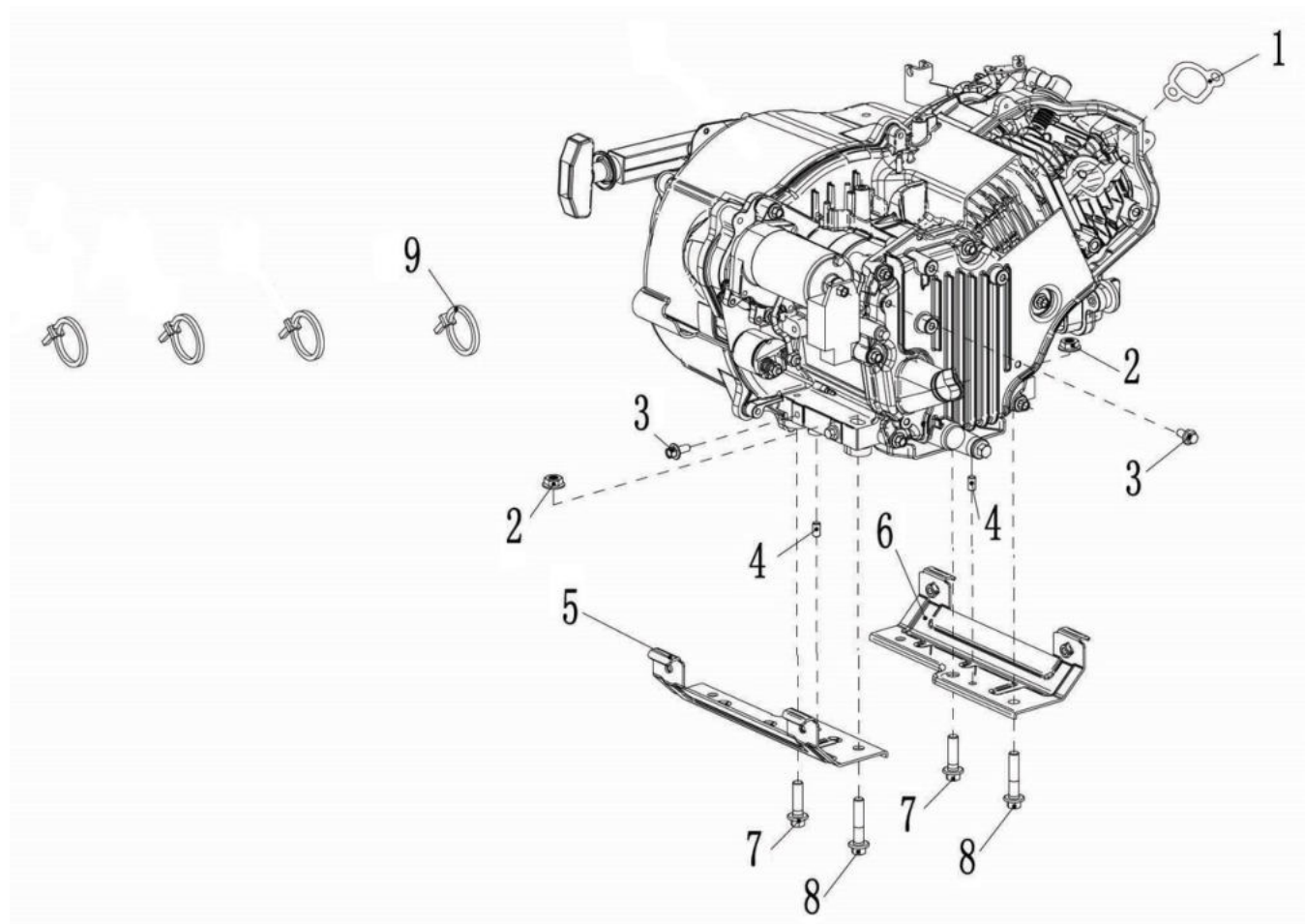
изображение Muffler

Ref.Nu	Qty	Part number	Description	Validity from	Validity till	Notes	Bulletin
1	10	L66152090	Screw				
2	1	L66152701	Exhaust guard				
3	9	L66152595	Screw				
4	1	L66152702	Muffler				
5	2	L66152169	Nut				
6	1	L66152703	Exhaust guard				



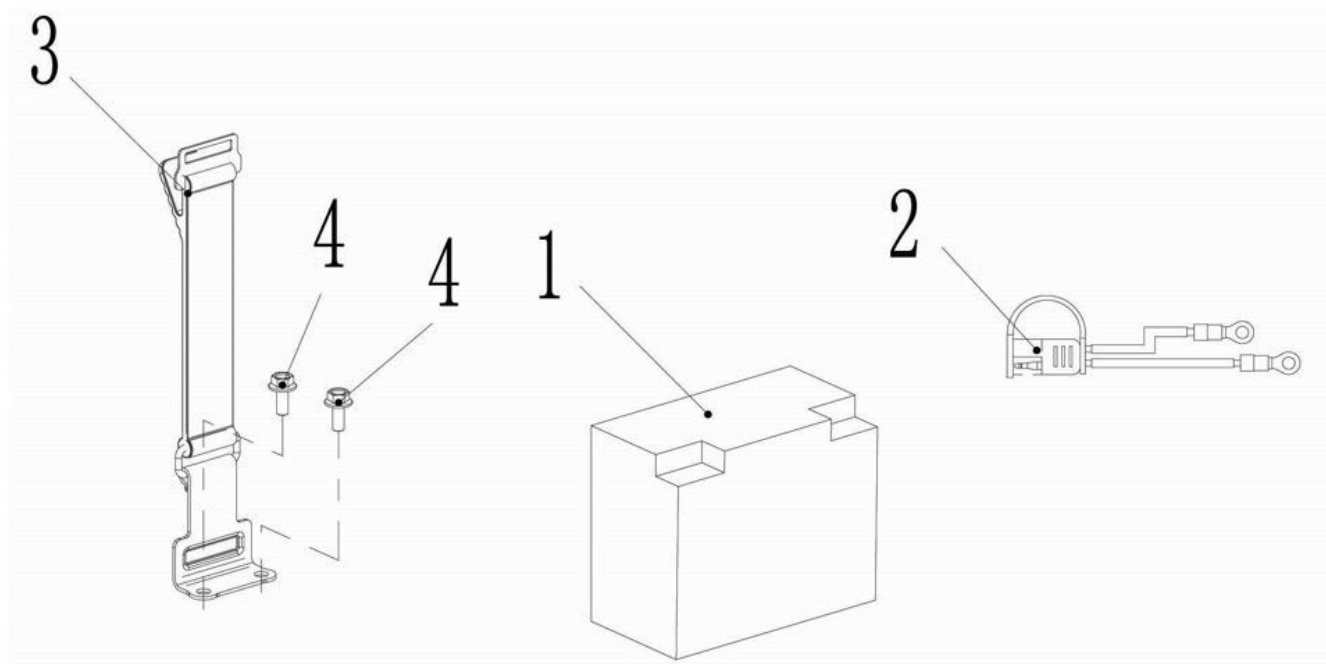
изображение Tank

Ref.Nu	Qty	Part number	Description	Validity from	Validity till	Notes	Bulletin
1	1	L66152704	Tank cap				
2	1	L66152705	Gasket				
3	1	L66152706	Filter				
4	4	L66152707	Buffer				
5	1	L66152582	Screw				
6	1	L66152708	Cover				
7	1	L66152597	Screw				
8	1	L66152550	Filter				
9	1	L66152710	AV-mount				
10	2	L66152711	AV-mount				
11	1	L66152709	Tank				



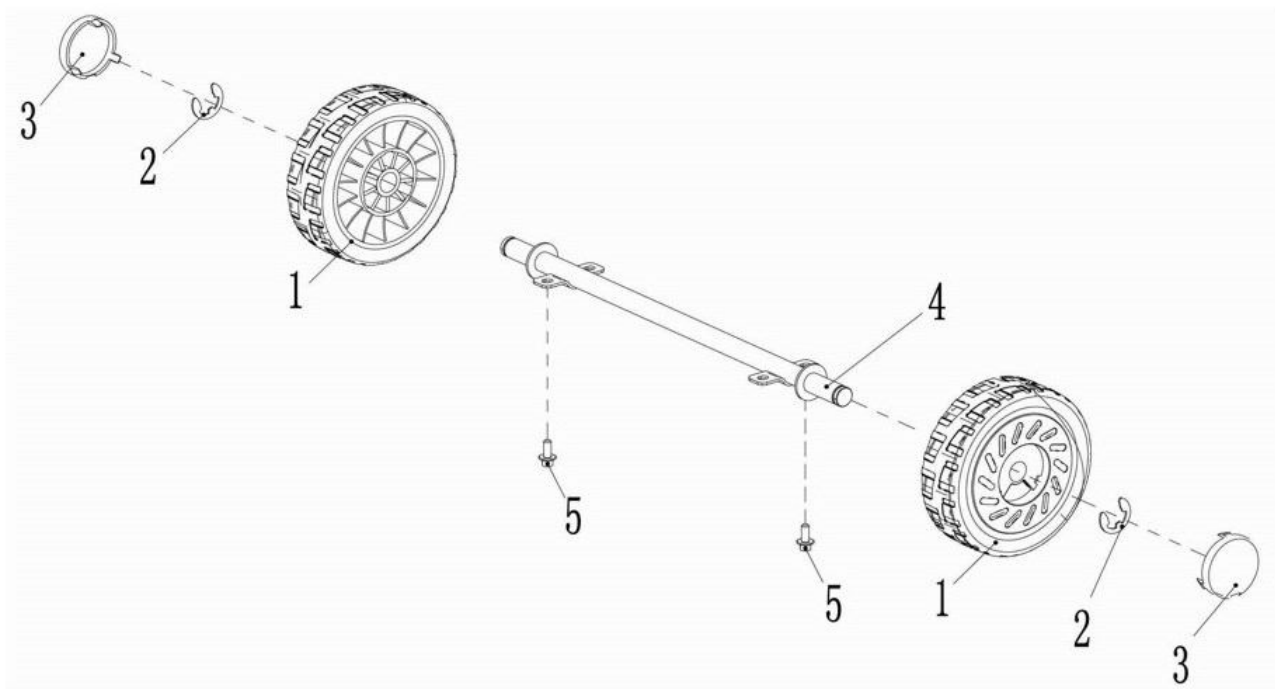
изображение Motor assy

Ref.Nu	Qty	Part number	Description	Validity from	Validity till	Notes	Bulletin
1	1	L66152168	Gasket				
2	2	L66152202	Nut				
3	2	L66152247	Screw				
4	2	L66152083	Pin				
5	1	L66152713	Engine support				
6	1	L66152714	Engine support				
7	2	L66152715	Bolt				
8	2	L66152297	Screw				
9	1	L66152551	Fairled				



изображение Battery

Ref.Nu	Qty	Part number	Description	Validity from	Validity till	Notes	Bulletin
1	1	L66152716	Battery				
2	1	L66152717	Wire				
3	1	L66152727	AV-mount				
4	2	L66152725	Bolt				



изображение Transport wheels

Ref.Nu	Qty	Part number	Description	Validity from	Validity till	Notes	Bulletin
1	2	L66152718	Wheel				
2	2	L66152719	Ring				
3	2	L66152720	Cap				
4	1	L66152721	Axle				
5	2	L66152090	Screw				