

PPX 275 Application (Pole pruner)



Документы

Engine

Starter assy and clutch

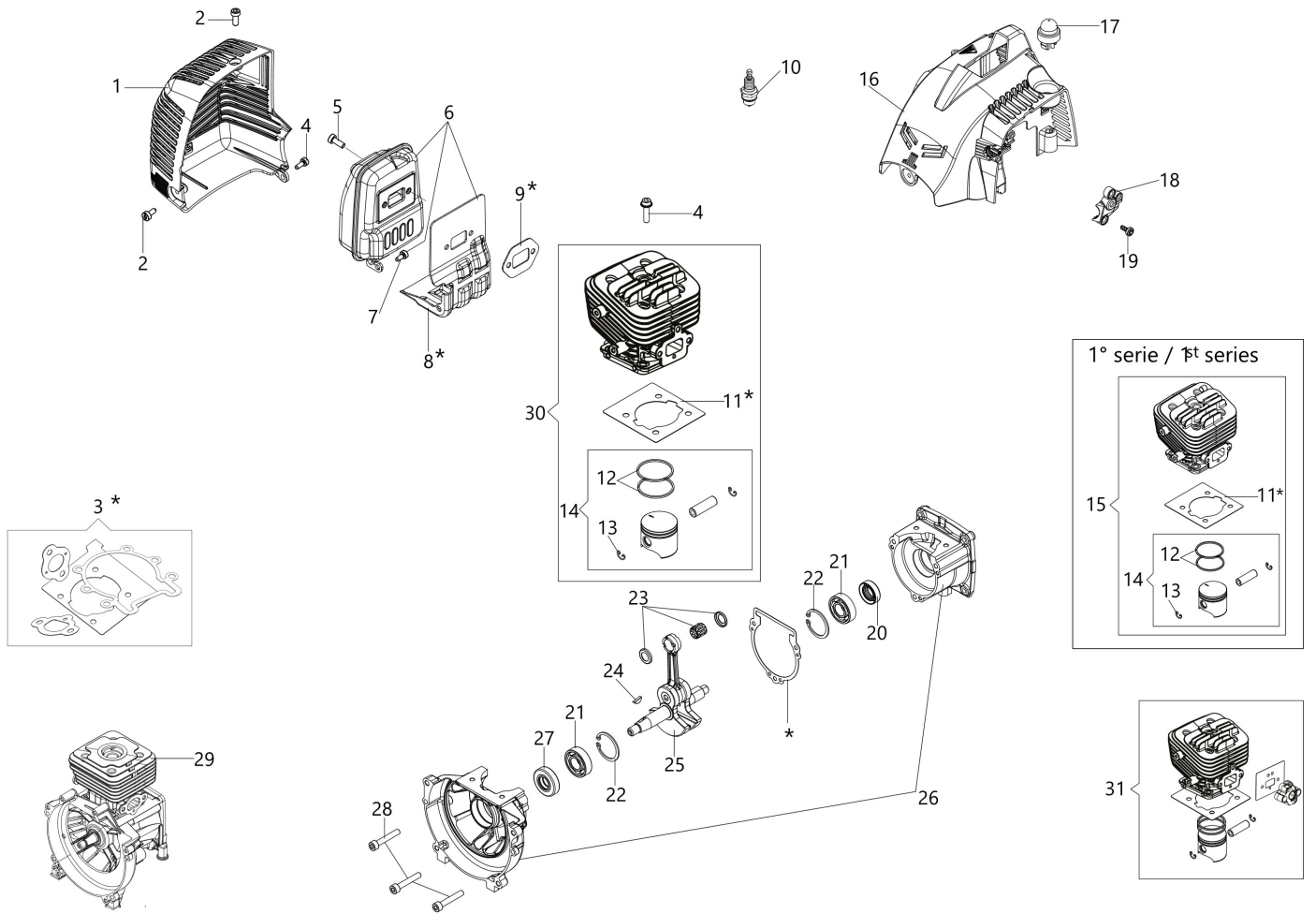
Application (Pole pruner)

Trasmission rod

Tank and air filter

Carburetor WT-1150

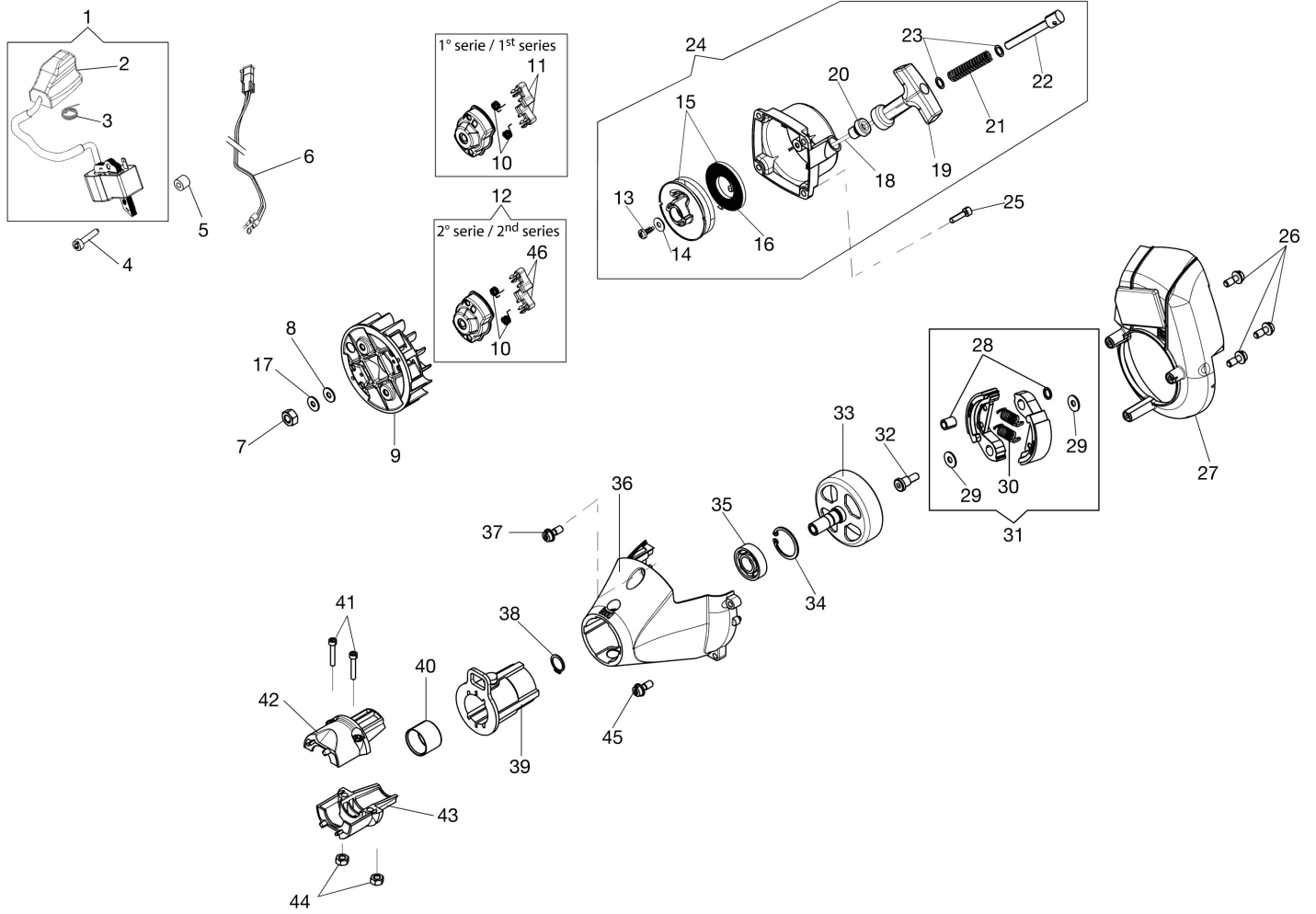
Accessories



изображение Engine

| Ref.Nu | Qty | Part number | Description | Validity from | Validity till | Notes | Bulletin |
|--------|-----|-------------|-----------------------------|---------------|---------------|-----------------|---------------|
| 1 | 1 | 61280293AR | Muffler cover | | | Grigio; Grey | |
| 2 | 2 | 3893054R | Screw | | | | |
| 3 | 1 | 61280250 | Gasket set | | SN 8591030038 | | BT3-150-03/21 |
| 3 | 1 | 61280250 | Gasket set | SN 8591030039 | | | BT3-150-03/21 |
| 4 | 5 | 3891048R | Screw | | | | |
| 5 | 2 | 3891035R | Screw | | | | |
| 6 | 1 | 61290075A | Complete muffler | | | | |
| 7 | 1 | 3892001A | Screw | | | | |
| 8 | 1 | 61280008DR | Gasket | | | | |
| 9 | 1 | 61280206R | Gasket | | | | |
| 10 | 1 | 3055120R | Spark plug | | | | |
| 11 | 1 | 61280005BR | Gasket | | | | |
| 12 | 2 | 61290045R | Piston ring | | | | |
| 13 | 2 | 093000167R | Ring | | | | |
| 14 | 1 | 61292031B | Piston assy Ø34 | | | | |
| 15 | 1 | 61290056 | Complete cylinder | | | | |
| 15 | 1 | 61290056 | Complete cylinder | | SN 8591030038 | | BT3-150-03/21 |
| 16 | 1 | 61280185R | Cylinder cover | | | Arancio; Orange | |
| 17 | 1 | 2318817R | Air purge | | | | |
| 18 | 1 | 61250253R | Stopper | | | Arancio; Orange | |
| 19 | 3 | 3960087AR | Screw | | | | |
| 20 | 1 | 3050038R | Seal ring | | | | |
| 21 | 2 | 3034009R | Bearing | | | | |
| 22 | 1 | 3025019R | Ring | | | | |
| 23 | 1 | 61290077 | Set roller cage and washer | | | | |
| 24 | 1 | 3028013R | Key | | | | |
| 25 | 1 | 61280004R | Crankshaft | | | | |
| 26 | 1 | 61280292 | Half crankcase set + screws | | | | |
| 27 | 1 | 3050039R | Seal ring | | | | |
| 28 | 3 | 3860096R | Screw | | | | |
| 29 | 1 | 61290099R | Short block | | SN 8591030038 | | BT3-150-03/21 |
| 29 | 1 | 61290099R | Short block | SN 8591030039 | | | BT3-150-03/21 |
| 30 | 1 | 61290056 | Complete cylinder | SN 8591030039 | | | BT3-150-03/21 |
| 31 | 1 | 61290057 | Conversion kit | | | | BT3-150-03/21 |

изображение Starter assy and clutch

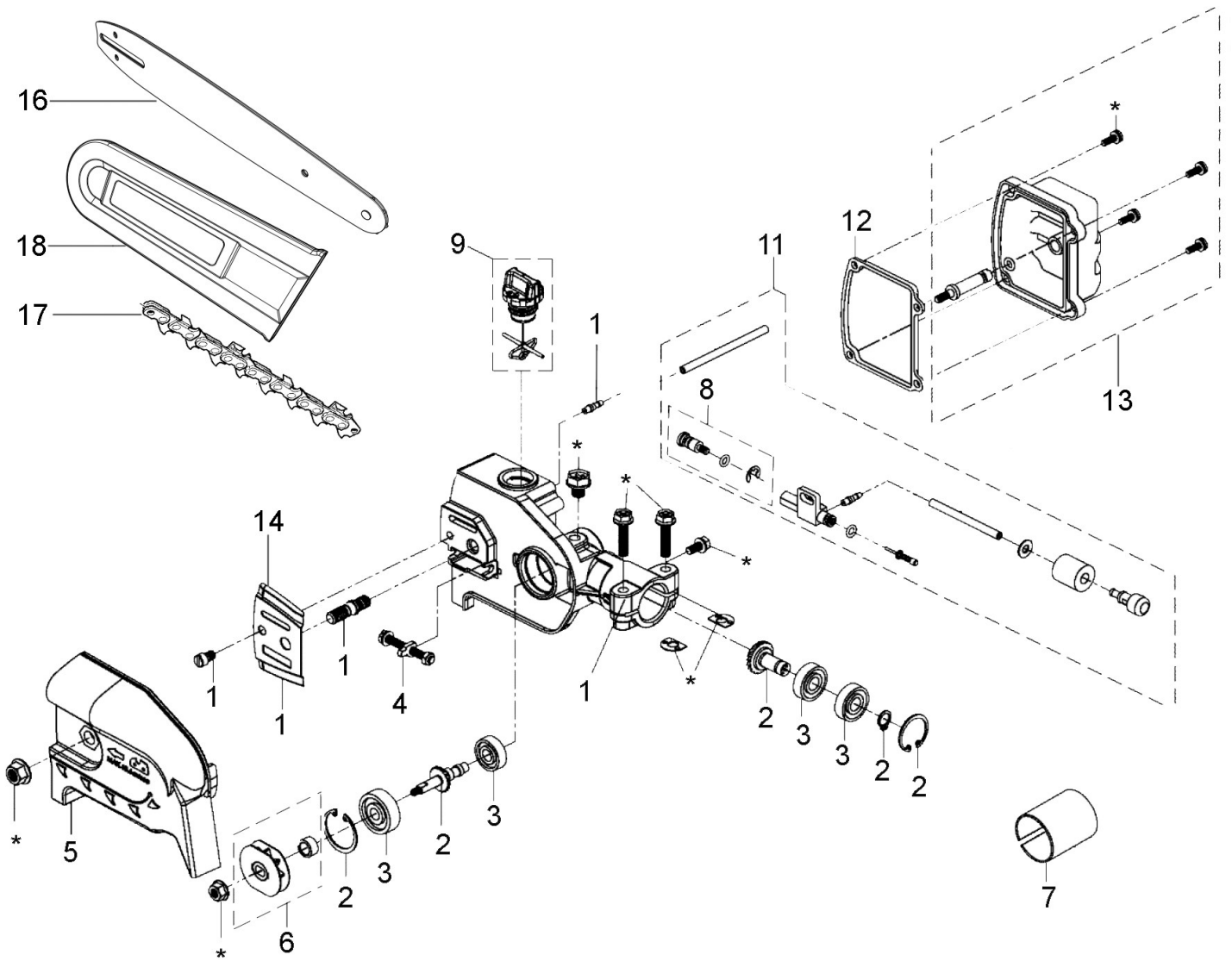


изображение Starter assy and clutch

| Ref.Nu | Qty | Part number | Description | Validity from | Validity till | Notes | Bulletin |
|--------|-----|-------------|-----------------|---------------|---------------|-----------------|----------|
| 1 | 1 | 2501010BR | Ignition coil | | | | |
| 2 | 1 | 61280164R | Spark plug cap | | | | |
| 3 | 1 | 50050127 | Spring | | | | |
| 4 | 2 | 3891020R | Screw | | | | |
| 5 | 2 | 50160218BR | Spacer | | | | |
| 6 | 1 | 61280291AR | Cable | | | | |
| 7 | 1 | 3912009 | Nut | | | | |
| 8 | 1 | 3916009R | Washer | | | | |
| 9 | 1 | 61280187R | Flywheel | | | | |
| 10 | 2 | 61070039R | Spring | | | | |
| 11 | 2 | 61070038R | Pawl | | 02/2017 | | |
| 12 | 1 | 58070221R | Clutch driver | 03/2017 | | | |
| 13 | 1 | 3960070AR | Screw | | | | |
| 14 | 1 | 094600054R | Washer | | | | |
| 15 | 1 | 61172004R | Complete pulley | | | | |
| 16 | 1 | 61070036R | Starter spring | | | | |
| 17 | 1 | 3833080R | Washer | | | | |
| 18 | 1 | 61070019AR | Starter rope | | | | |
| 19 | 1 | 56530018R | Starter handle | | | | |
| 20 | 1 | 072700089R | Bushing | | | | |
| 21 | 1 | 56530019 | Spring | | | | |
| 22 | 1 | 56530020 | Insert | | | | |
| 23 | 2 | 56530021 | Washer | | | | |
| 24 | 1 | 61170060BR | Starter assy | | | Arancio; Orange | |
| 25 | 1 | 61052008R | Screw | | | | |
| 26 | 3 | 3960045 | Screw | | | | |
| 27 | 1 | 61280163R | Flange | | | | |
| 28 | 1 | 61280151A | Set spacer | | | | |
| 29 | 4 | 3918007R | Washer | | | | |
| 30 | 2 | 4138494 | Spring | | | | |
| 31 | 1 | 61280135CR | Clutch | | | | |
| 32 | 2 | 3806040 | Screw | | | | |
| 33 | 1 | 61280130AR | Clutch drum | | | | |
| 34 | 1 | 3025019R | Ring | | | | |
| 35 | 1 | 3035023R | Bearing | | | | |
| 36 | 1 | 61280177R | Starter case | | | | |
| 37 | 1 | 3893054R | Screw | | | | |
| 38 | 1 | 3024012R | Snap ring | | | | |
| 39 | 1 | 4161428R | Sleeve | | | | |
| 40 | 1 | 4161364R | Bushing | | | | |
| 41 | 2 | 3801016R | Screw | | | | |
| 42 | 1 | 61010020R | Adaptor | | | | |
| 43 | 1 | 61010021 | Adaptor | | | | |
| 44 | 2 | 3914003R | Nut | | | | |

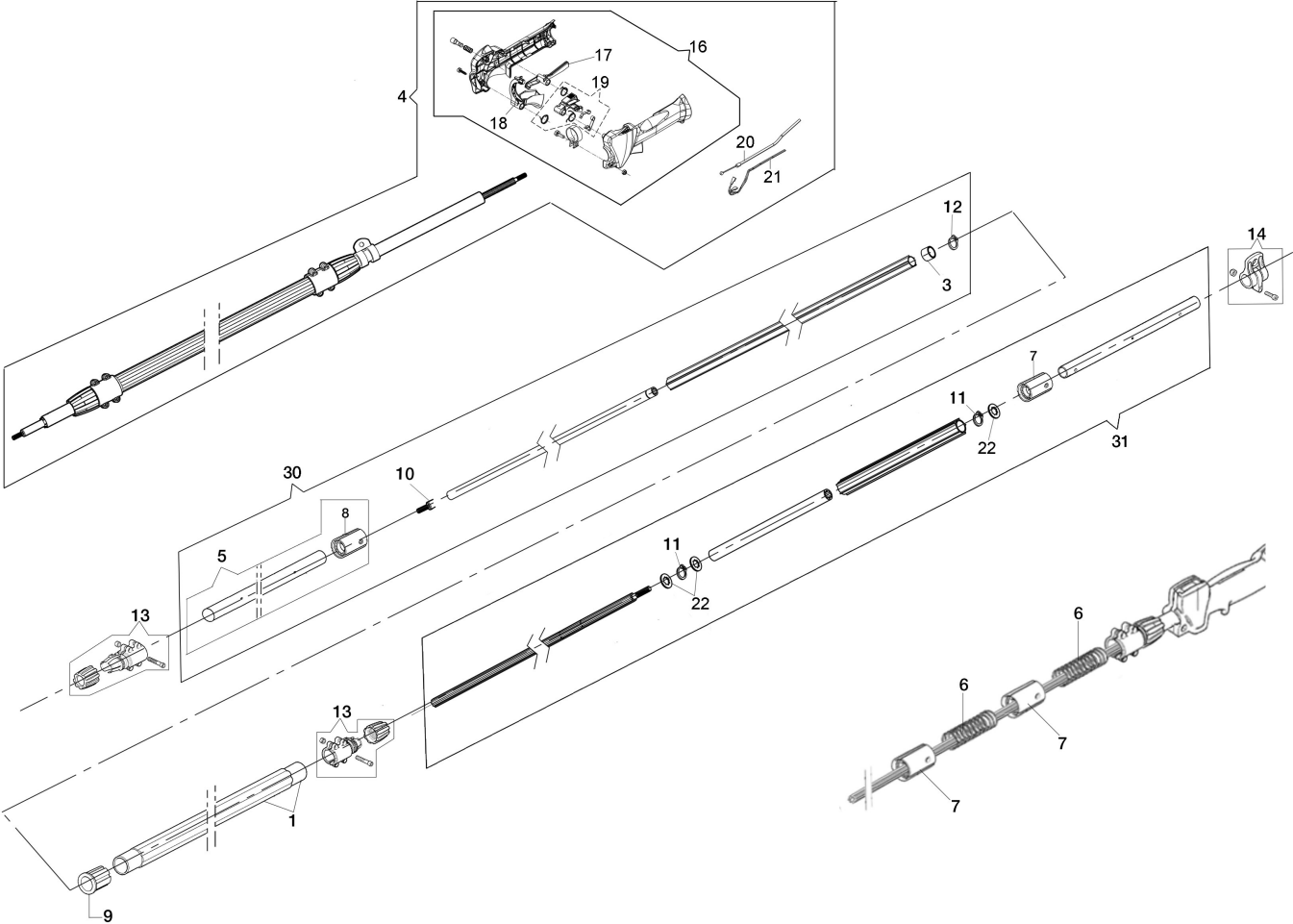
изображение Starter assy and clutch

| Ref.Nu | Qty | Part number | Description | Validity from | Validity till | Notes | Bulletin |
|--------|-----|-------------|-------------|---------------|---------------|-------|----------|
| 45 | 4 | 3891048R | Screw | | | | |
| 46 | 2 | 58070219R | Pawl | | | | |



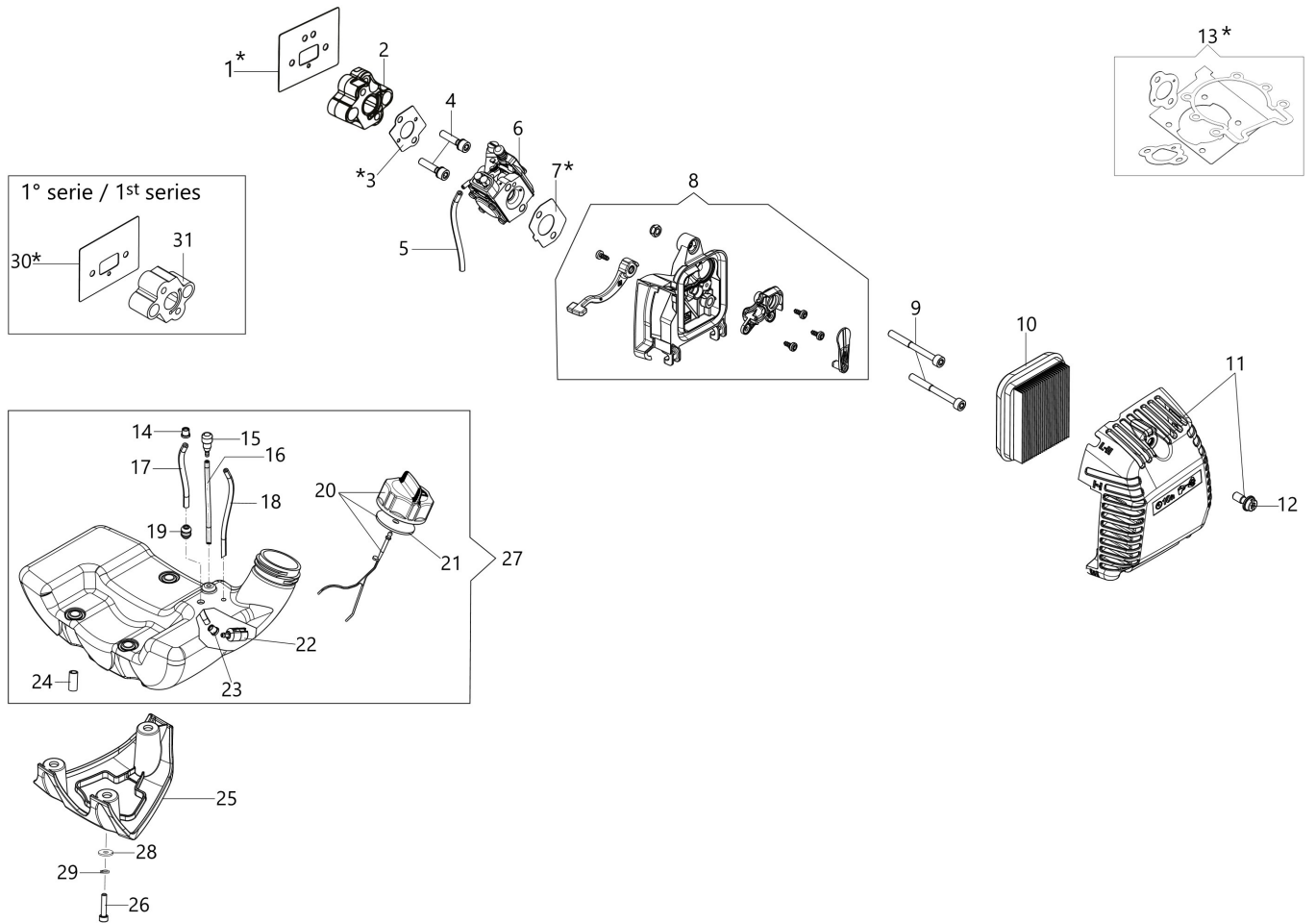
изображение Application (Pole pruner)

| Ref.Nu | Qty | Part number | Description | Validity from | Validity till | Notes | Bulletin |
|--------|-----|-------------|--------------------------|---------------|---------------|-------|----------|
| 1 | 1 | MI000001R | Floor Bar | | | | |
| 2 | 1 | 63090071R | Bevel gear | | | | |
| 3 | 1 | MI000003R | Bearings | | | | |
| 4 | 1 | MI000004R | Chain tensioner kit | | | | |
| 5 | 1 | MI000012R | Chain cover assy | | | | |
| 6 | 1 | MI000005R | Sprocket | | | | |
| 7 | 1 | 61370348AR | Bushing | | | | |
| 8 | 1 | MI000006R | Worm gear | | | | |
| 9 | 1 | MI000007R | Oil cap | | | | |
| 11 | 1 | MI000008R | Oil pump set | | | | |
| 12 | 1 | MI000009R | Gasket | | | | |
| 13 | 1 | MI000010R | Cover | | | | |
| 14 | 1 | MI000013R | Plate | | | | |
| 15 | 1 | MI000011R | Screws kit | | | | |
| 16 | 1 | 63090074R | Bar 12"- 30R .1/4"X.043" | | | | |
| 17 | 1 | 30629042 | Chain 1/4"X.043" | | | | |
| 18 | 1 | 50350035R | Bar cover - 30 cm | | | | |



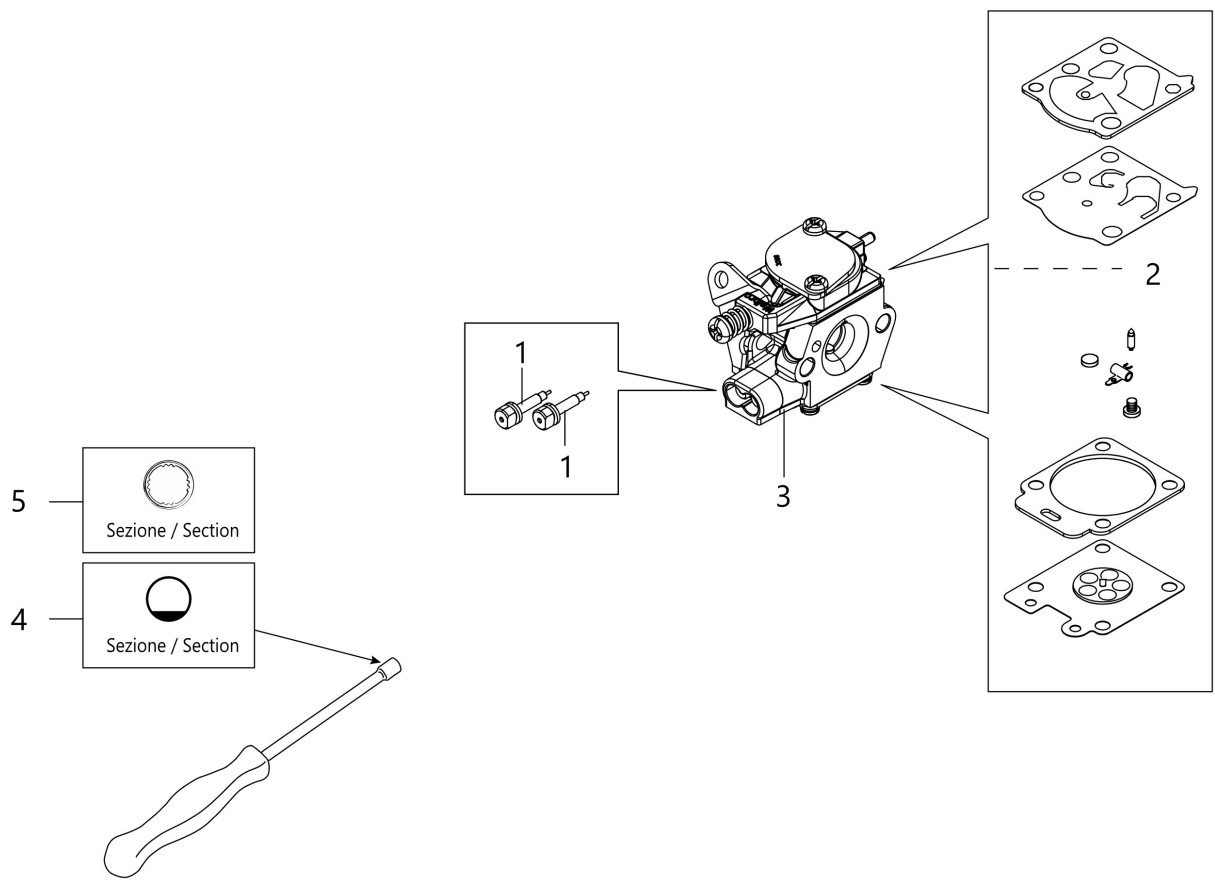
изображение Trasmission rod

| Ref.Nu | Qty | Part number | Description | Validity from | Validity till | Notes | Bulletin |
|--------|-----|-------------|------------------|---------------|---------------|---------------------------|----------|
| 1 | 1 | 61222004AR | Tube | | | | |
| 3 | 1 | 63090049 | Bushing | | | | |
| 4 | 1 | 63090082R | Transmiss. assy | | | | |
| 5 | 1 | 61222007DR | Tube | | | | |
| 6 | 2 | 63090005R | Spring | | | | |
| 7 | 3 | 63090024BR | Support | | | | |
| 8 | 1 | 63090025AR | Support | | | | |
| 9 | 1 | 63090018 | Slide | | | | |
| 10 | 1 | 63090043R | Shaft joint | | | | |
| 11 | 2 | 3024011R | Ring | | | | |
| 12 | 1 | 3024014R | Snap ring | | | | |
| 13 | 2 | 61222009AR | Union joint kit | | | | |
| 14 | 1 | 4161619AR | Band | | | | |
| 16 | 1 | 61380095B | Handle kit | | | | |
| 17 | 1 | 61380055AR | Lever | | | | |
| 18 | 1 | 61380056R | Throttle lever | | | | |
| 19 | 1 | 61380096 | Lever group | | | | |
| 20 | 1 | 61280201R | Throttle cable | | | | |
| 21 | 1 | 61280227BR | Cable | | | | |
| 22 | 3 | 63090039BR | Washer | | | | |
| 30 | 1 | 61220079AR | Set transmission | | | Lato utensile / Tool side | |
| 31 | 1 | 61220080R | Set transmission | | | Lato motore / Engine side | |



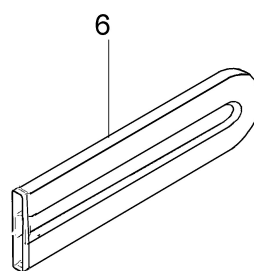
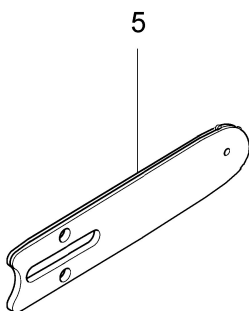
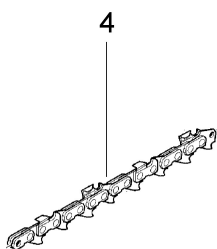
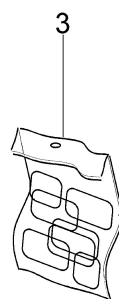
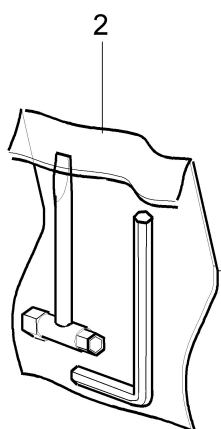
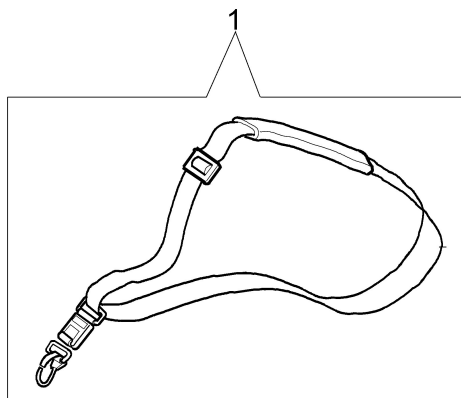
изображение Tank and air filter

| Ref.Nu | Qty | Part number | Description | Validity from | Validity till | Notes | Bulletin |
|--------|-----|-------------|------------------------|---------------|---------------|------------------|---------------|
| 1 | 1 | 61280337R | Gasket | SN 8591030039 | | | BT3-150-03/21 |
| 2 | 1 | 61280336R | Insulator | SN 8591030039 | | | BT3-150-03/21 |
| 3 | 1 | 072700077CR | Gasket | | | | |
| 4 | 2 | 3891048R | Screw | | | | |
| 5 | 1 | 61290087R | Tube | | | | |
| 6 | 1 | 2318654BR | Carburetor WT-1150 | | | | |
| 7 | 1 | 61280059CR | Gasket | | | | |
| 8 | 1 | 61280183R | Air filter support set | | | | |
| 9 | 2 | 3891063R | Screw | | | | |
| 10 | 1 | 61170016R | Air filter | | | | |
| 11 | 1 | 61290078A | Air filter cover | | | | |
| 12 | 1 | 61330040AR | Screw | | | | |
| 13 | 1 | 61280250 | Gasket set | | SN 8591030038 | | BT3-150-03/21 |
| 13 | 1 | 61280250 | Gasket set | SN 8591030039 | | | BT3-150-03/21 |
| 14 | 1 | 61280105 | Band | | | | |
| 15 | 1 | 61400367R | Breather valve | | | | |
| 16 | 1 | 61290087R | Tube | | | | |
| 17 | 1 | 3073023AR | Tube | | | | |
| 18 | 1 | 61290088R | Tube | | | | |
| 19 | 1 | 4161211R | Bush | | | | |
| 20 | 1 | 50340265R | Cap | | | arancione/orange | |
| 21 | 1 | 099900090R | Ring | | | | |
| 22 | 1 | 61400322R | Fuel filter | | | | |
| 23 | 1 | 61110162BR | Bushing | | | | |
| 24 | 3 | 61070015R | Spacer | | | | |
| 25 | 1 | 61170041R | Stand | | | | |
| 26 | 3 | 3891048R | Screw | | | | |
| 27 | 1 | 61280253R | Tank | | | | |
| 28 | 3 | 3918005R | Washer | | | | |
| 29 | 3 | 3819006R | Washer | | | | |
| 30 | 1 | 072700076CR | Gasket | | SN 8591030038 | | BT3-150-03/21 |
| 31 | 1 | 074000130CR | Insulator | | SN 8591030038 | | BT3-150-03/21 |



изображение Carburetor WT-1150

| Ref.Nu | Qty | Part number | Description | Validity from | Validity till | Notes | Bulletin |
|--------|-----|-------------|------------------------------------|---------------|---------------|-------|------------|
| 1 | 2 | 2318778 | Adjust. screw | | | | |
| 2 | 1 | 2318671 | Repair kit | | | | |
| 3 | 1 | 2318654BR | Carburetor WT-1150 | | | | |
| 4 | 1 | 3052036R | Special screwdriver "D-style" type | | | | |
| 5 | 1 | 2304001R | Special screwdriver KNURL-STYLE | | | | EI02-02_22 |



изображение Accessories

| Ref.Nu | Qty | Part number | Description | Validity from | Validity till | Notes | Bulletin |
|--------|-----|-------------|--------------------------|---------------|---------------|-------|----------|
| 1 | 1 | 4160463AR | Harness | | | | |
| 2 | 1 | 63090079R | Tool kit | | | | |
| 3 | 1 | 61220081R | Labels kit | | | | |
| 4 | 1 | 30629042 | Chain 1/4"X.043" | | | | |
| 5 | 1 | 63090074R | Bar 12"- 30R .1/4"X.043" | | | | |
| 6 | 1 | 50350035R | Bar cover - 30 cm | | | | |